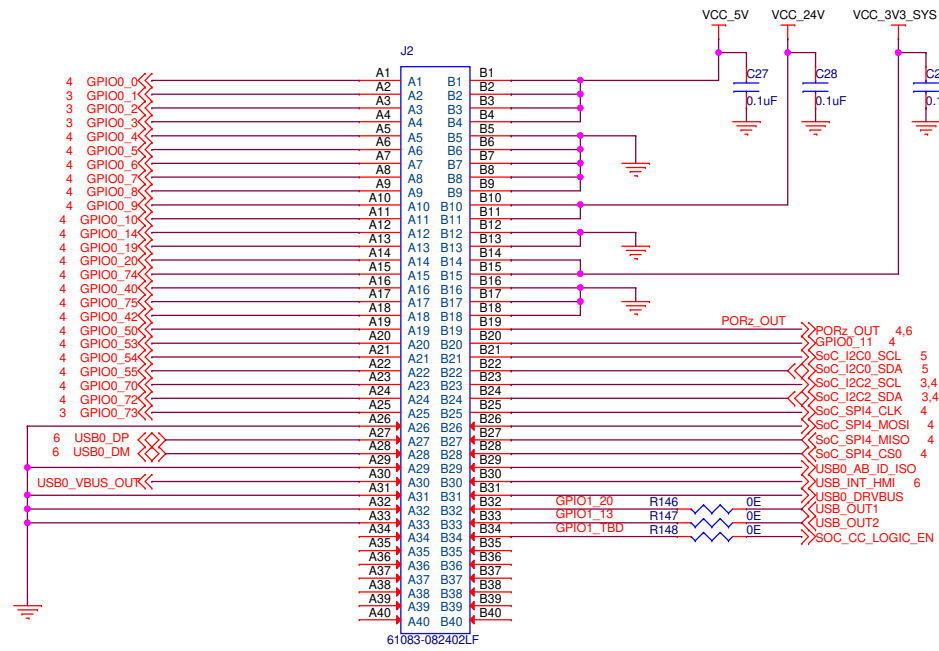
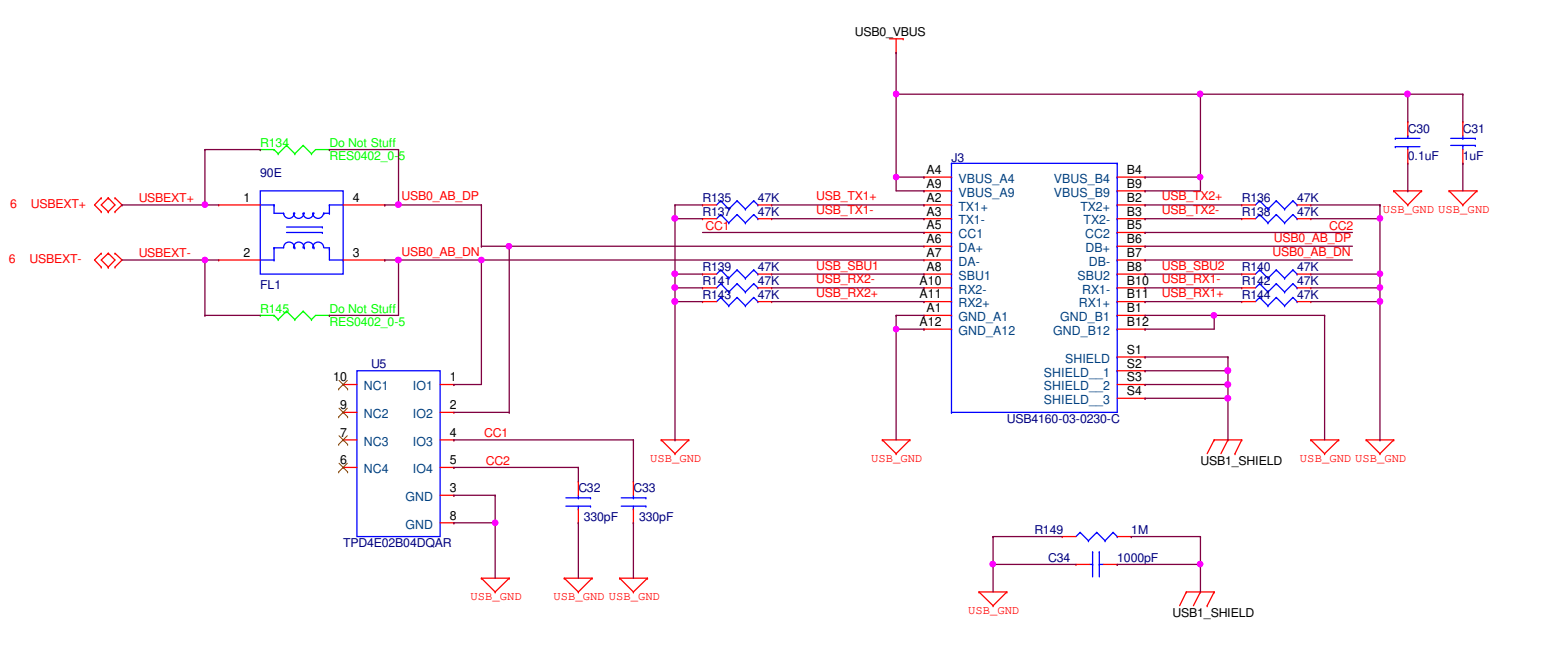


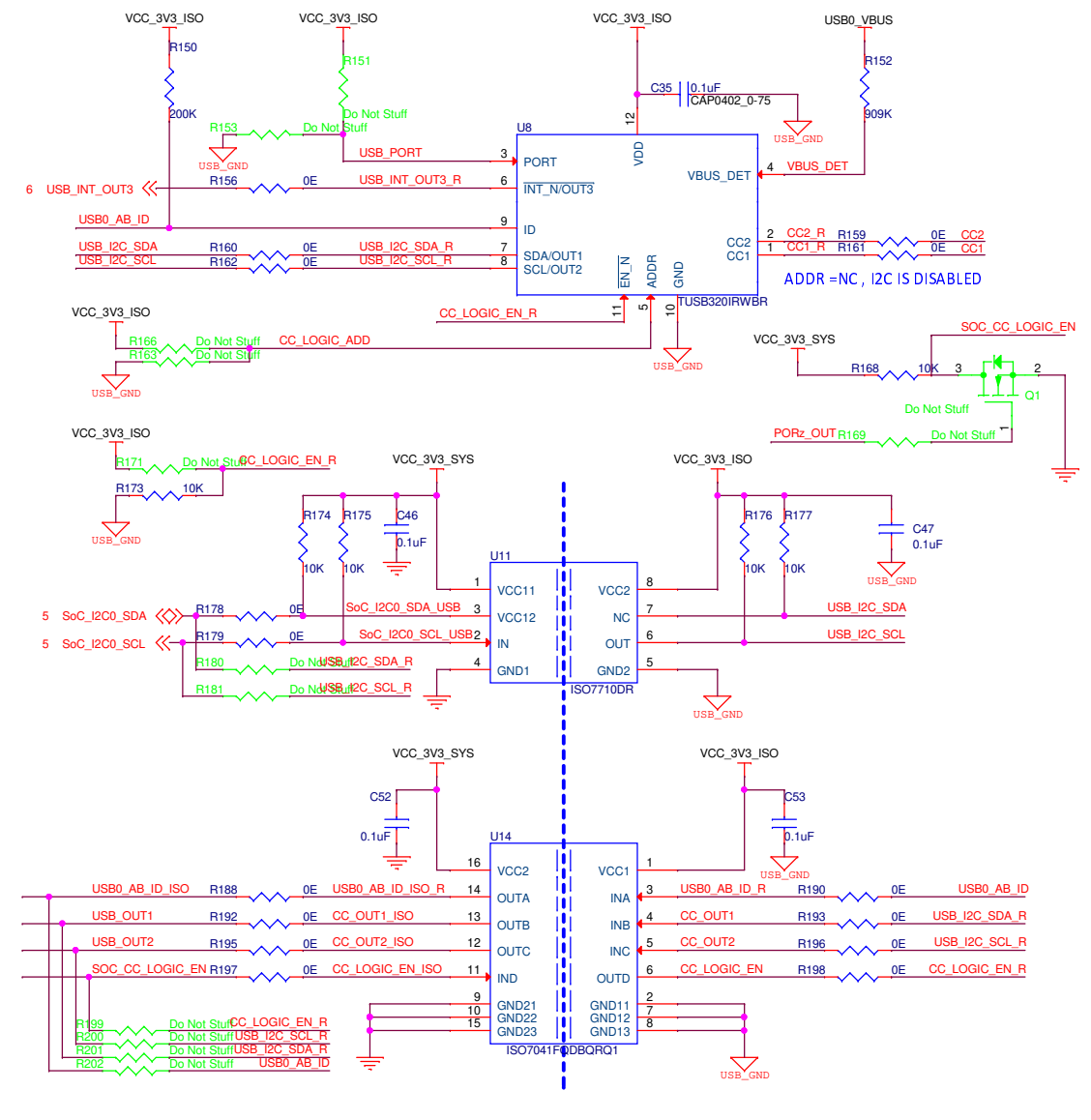
# 80 PIN B2B CONNECTOR



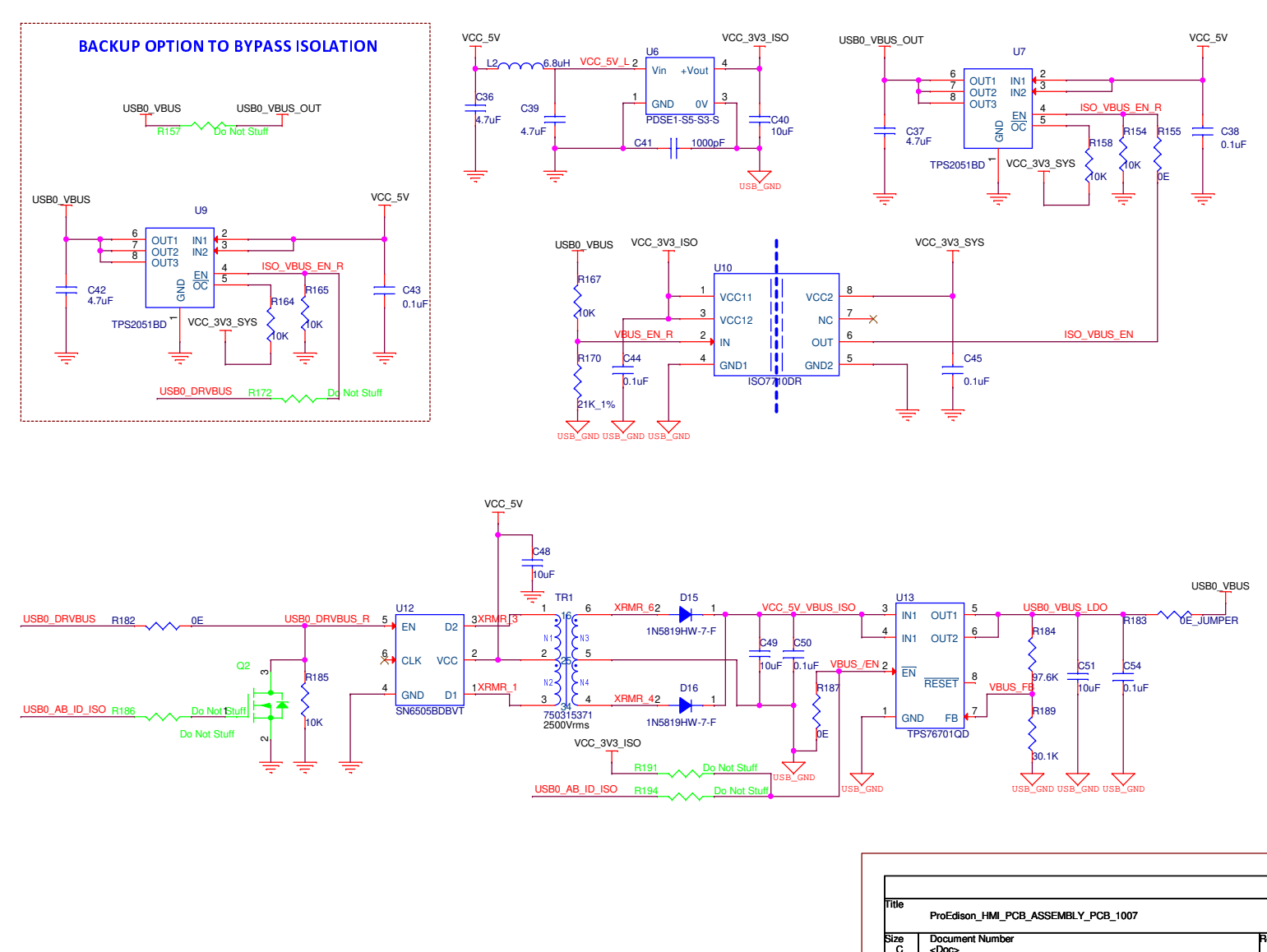
# TYPE C CONNECTOR



# CC LOGIC TO OTG ID CONVERSION WITH ISOLATION

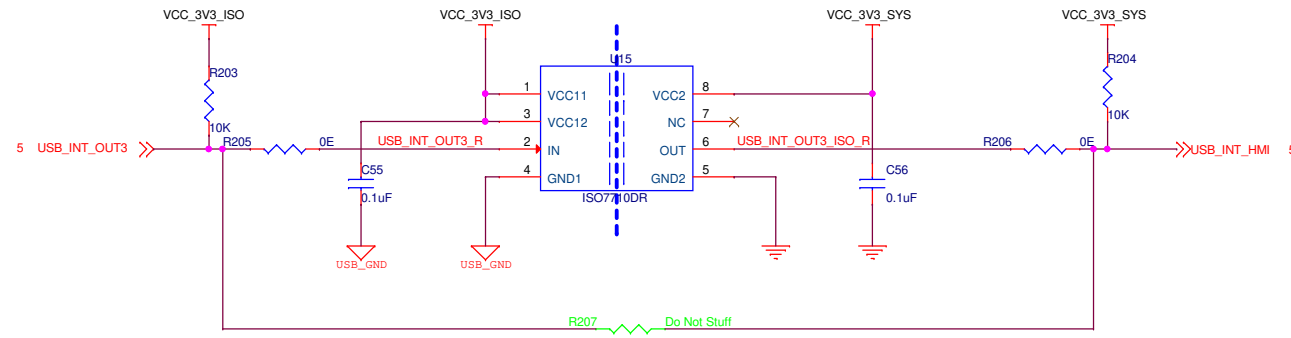


# USB POWER ISOLATION

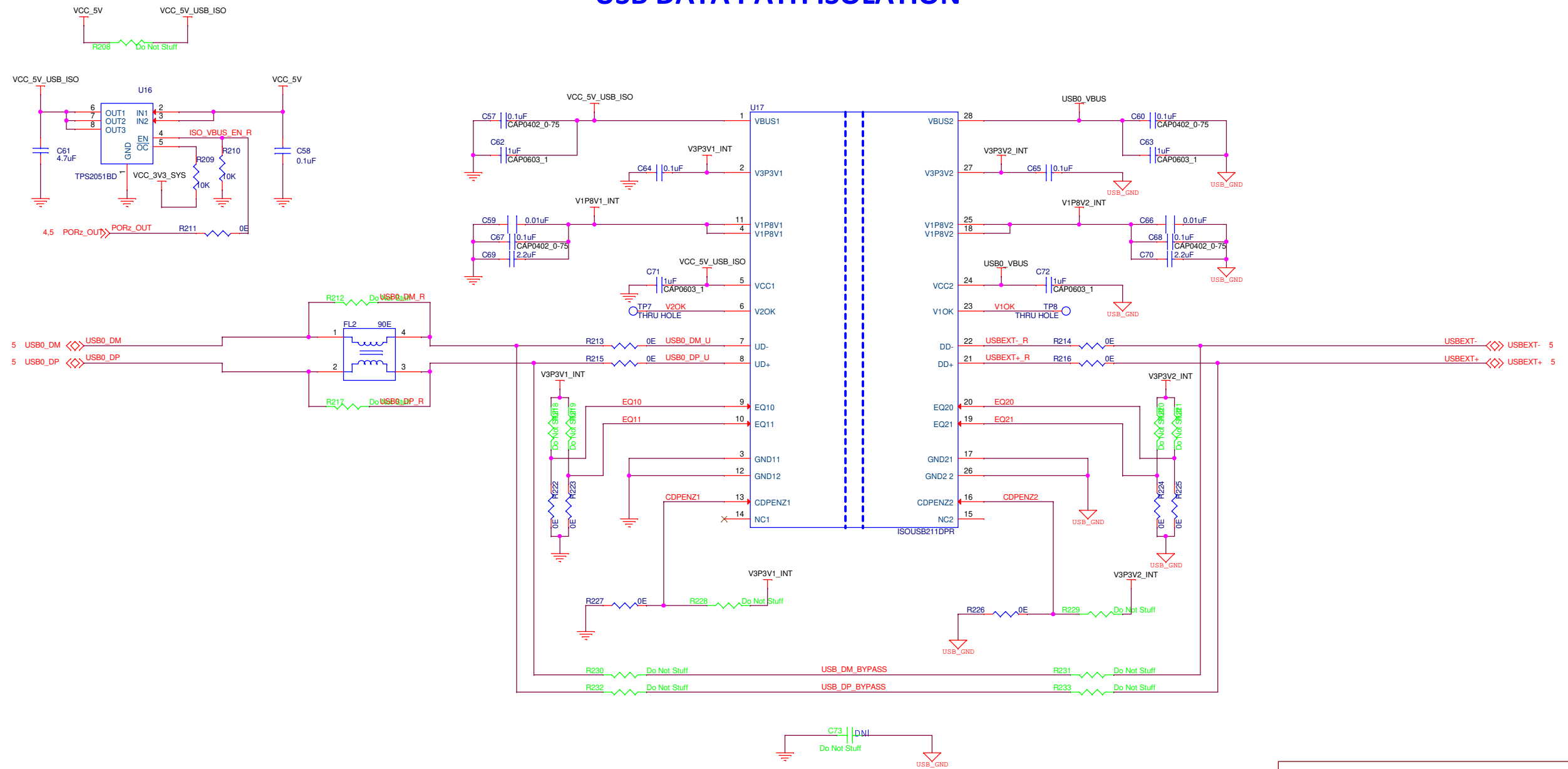


Title	ProEdison_HM_PCB_ASSEMBLY_PCB_1007	
Size	Document Number	Rev
C	<Doc>	V1P0
Date:	Tuesday, April 16, 2024	Sheet 5 of 6

# CC LOGIC INTERRUPT ISOLATION



# USB DATA PATH ISOLATION



Title	<Title>	Rev	<Rev Code>
Size	Document Number		
C	<Doc>		
Date	Tuesday, April 16, 2024	Sheet	6 of 6