

Sheet:

Top Layer

196.50

HYDROGEN_2N1FLAED

C2
SCL
SDA
AOUT
AUX
+5V
GND
V_GND

B3

TWBJJSTWV_NOBB

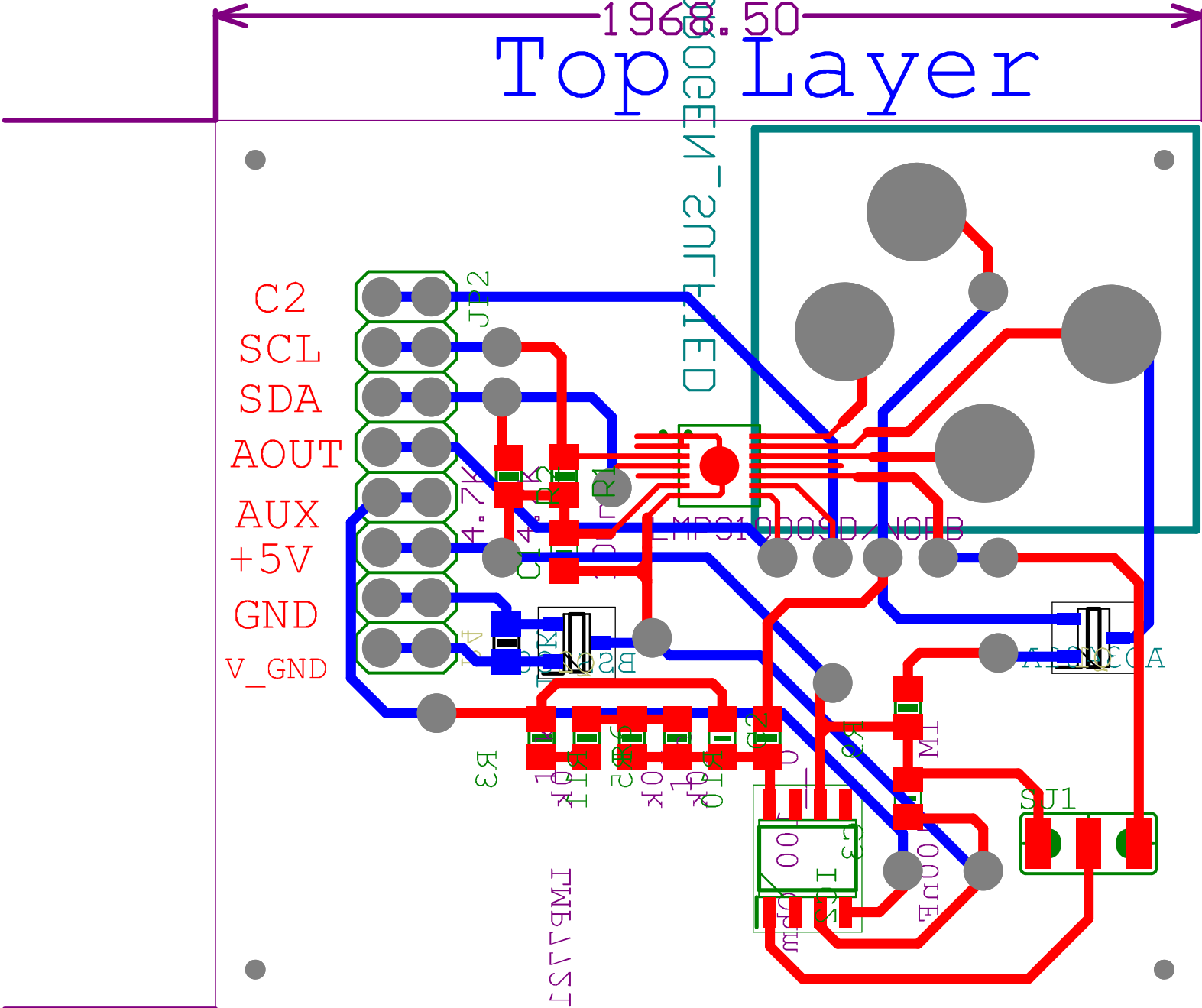
MPS1000B>NOB

ALSOCA

TI

00UE

SU1



Bill of Materials

Bill of Materials for Project [H2S_Sensor_LM7721_Breakout_Board.PrjPcb] (No PCB Document Selected)

Source Data From: H2S_Sensor_LM7721_Breakout_Board.PrjPcb
 Project: H2S_Sensor_LM7721_Breakout_Board.PrjPcb
 Variant: None

Creation Date: 9/20/2019 3:17 PM
 Print Date: 20-Sep-19 3:17:23 PM

Footprint	Comment	LibRef	Designator	Description	Quantity
C0805	100nf	C-EUC0805	C1	CAPACITOR, European symbol	1
C0805	10nF	C-EUC0805	C2	CAPACITOR, European symbol	1
C0805	100nF	C-EUC0805	C3	CAPACITOR, European symbol	1
SOIC127P600	LMP7721MA_NO	LMP7721MA_NO	IC2	3 Femtoampere Input Bias Current Precision	1
2X08	PINHD-2X8	PINHD-2X8	JP2	PIN HEADER	1
SOT95P280X	AO3401A	AO3401A	Q1	30V P-Channel MOSFETSource: Datasheet	1
SOT95P240X	BSS138	BSS138	Q2	N-channel MOSFET,BSS138 0.2A 50VSource	1
R0805	4.7K	R-US_R0805	R1	RESISTOR, American symbol	1
R0805	4.7K	R-US_R0805	R2	RESISTOR, American symbol	1
R0805	6.8K	R-US_R0805	R3	RESISTOR, American symbol	1
R0805	10K	R-US_R0805	R4	RESISTOR, American symbol	1
R0805	NC	R-US_R0805	R5	RESISTOR, American symbol	1
R0805	100E	R-US_R0805	R6	RESISTOR, American symbol	1
R0805	1M	R-US_R0805	R9	RESISTOR, American symbol	1
R0805	0_100 Ohm	R-US_R0805	R10	RESISTOR, American symbol	1
R0805	100E	R-US_R0805	R11	RESISTOR, American symbol	1
SJ_2W	SJ2WW	SJ2WW	SJ1	SMD solder JUMPER	1
	VDD	VDD	SUPPLY1	SUPPLY SYMBOL	1
	VDD	VDD	SUPPLY2	SUPPLY SYMBOL	1
	VDD	VDD	SUPPLY3	SUPPLY SYMBOL	1
	VDD	VDD	SUPPLY4	SUPPLY SYMBOL	1
	VDD	VDD	SUPPLY12	SUPPLY SYMBOL	1
	VDD	VDD	SUPPLY13	SUPPLY SYMBOL	1
SON50P400X	LMP91000SD/NC	LMP91000SD/NC	U1	Configurable AFE Potentiostat for Low-Powe	1
HYDROGEN_	HYDROGEN_SU	HYDROGEN_SU	U\$1		1

25

Approved	Notes