

BLOCK DIAGRAM

TABLE OF CONTENTS

SHEET NO.	SHEET NAME
1	BLOCK DIAGRAM
2	AOP_IO
3	AOP_PWR
4	PMIC
5	FLASH & USB_TO_UART
6	JTAG_SPL_UART
7	FLASH & USB_TO_UART

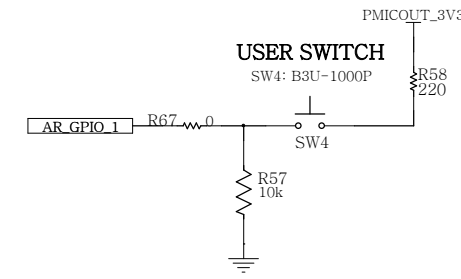
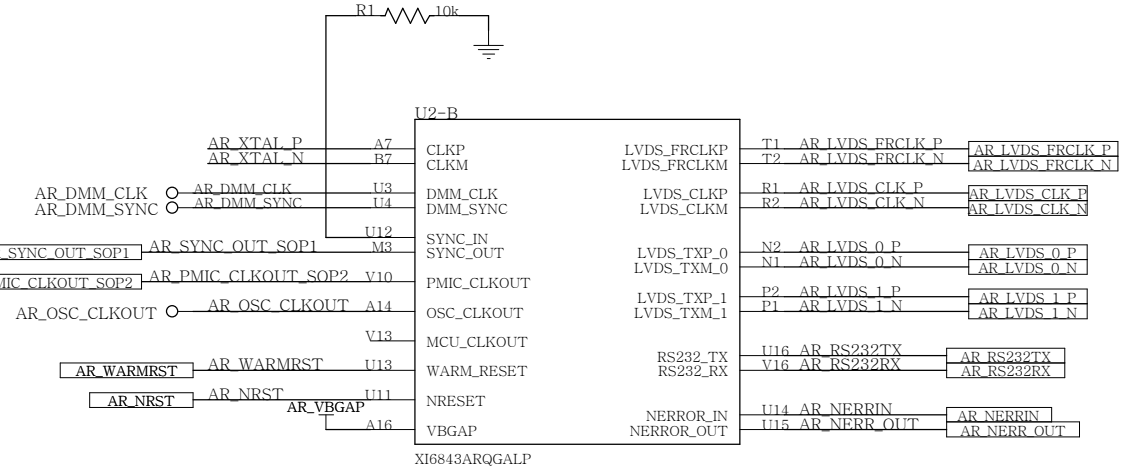
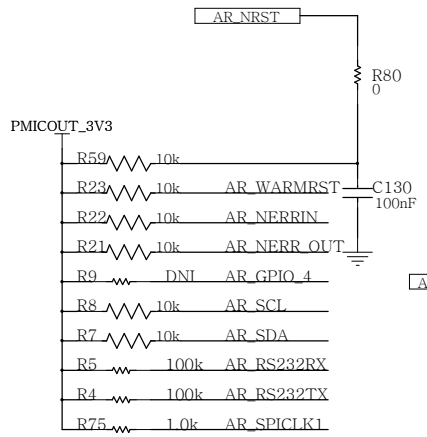
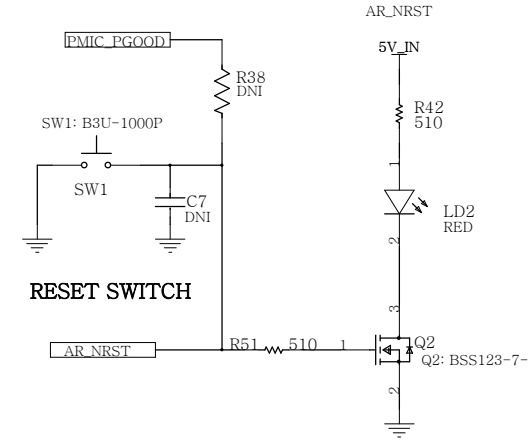
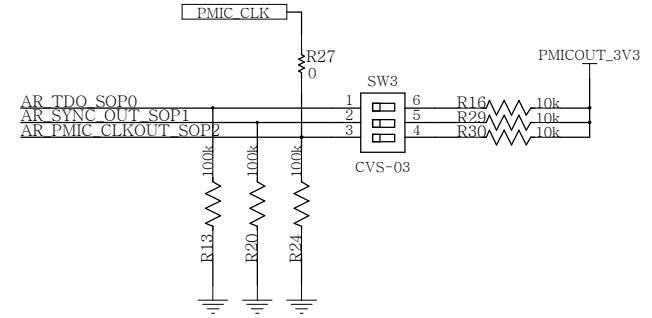
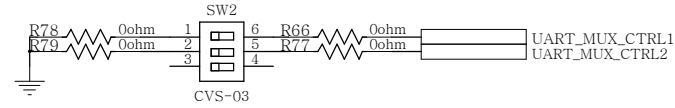
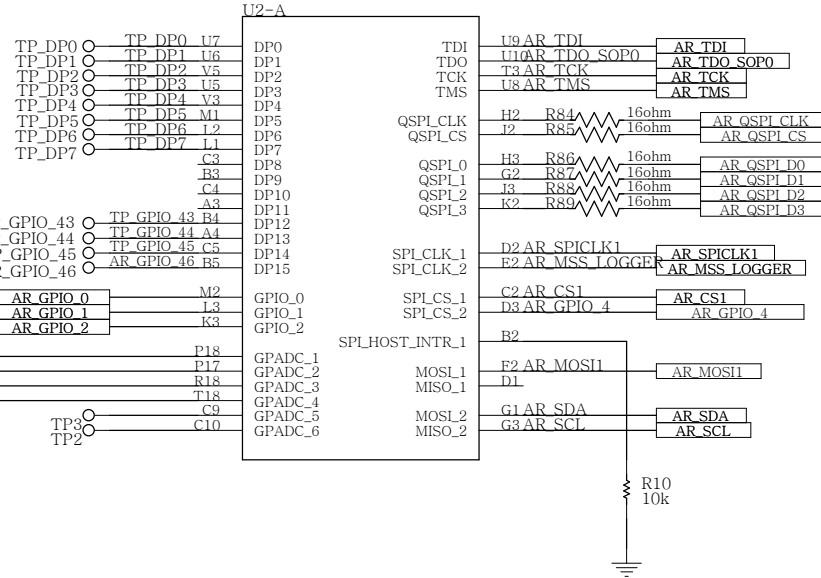
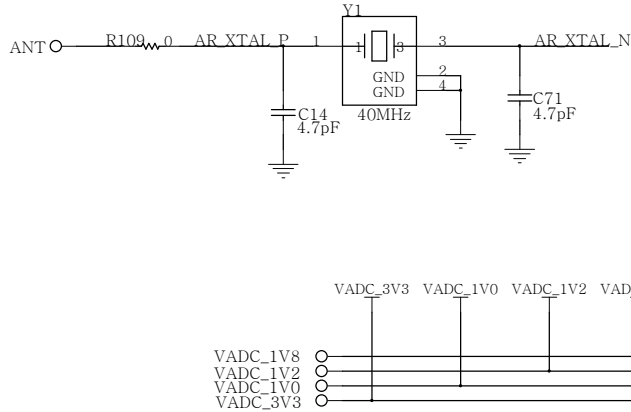
<i>TiONE Confidential</i>		
Title	T1-6843AOP	
Size B	Document Number BLOCK DIAGRAM	Rev 0A
Date:	Thursday, July 22, 2021	Sheet 1 of 7

SOP_MODE2 - '011' - DEV/DEBUG
 SOP_MODE4 - '001' - FUNCTIONAL
 MODE
 SOP_MODE5 - '101' - FLASH MODE

AOP IO

40MHz CRYSTAL

CX2016DB400000D0FUCC

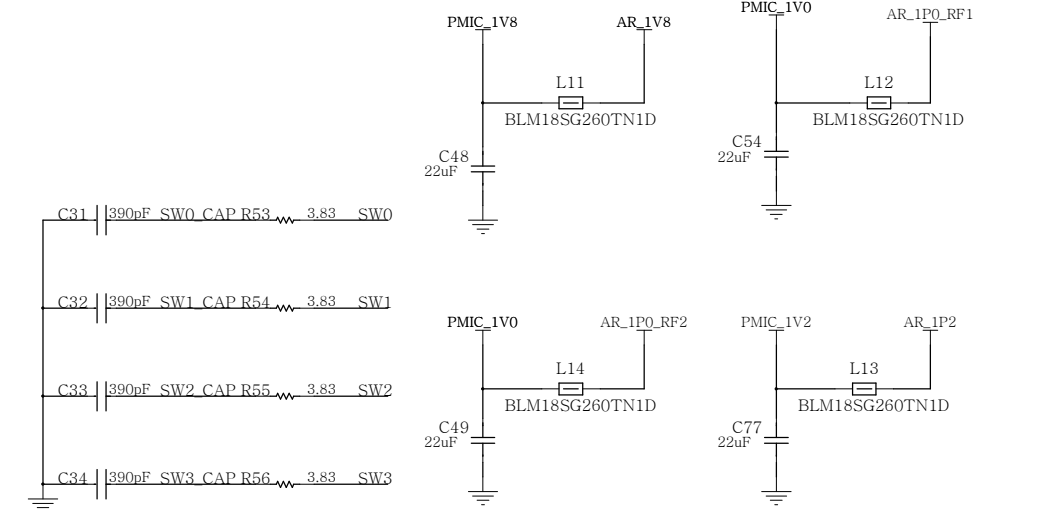
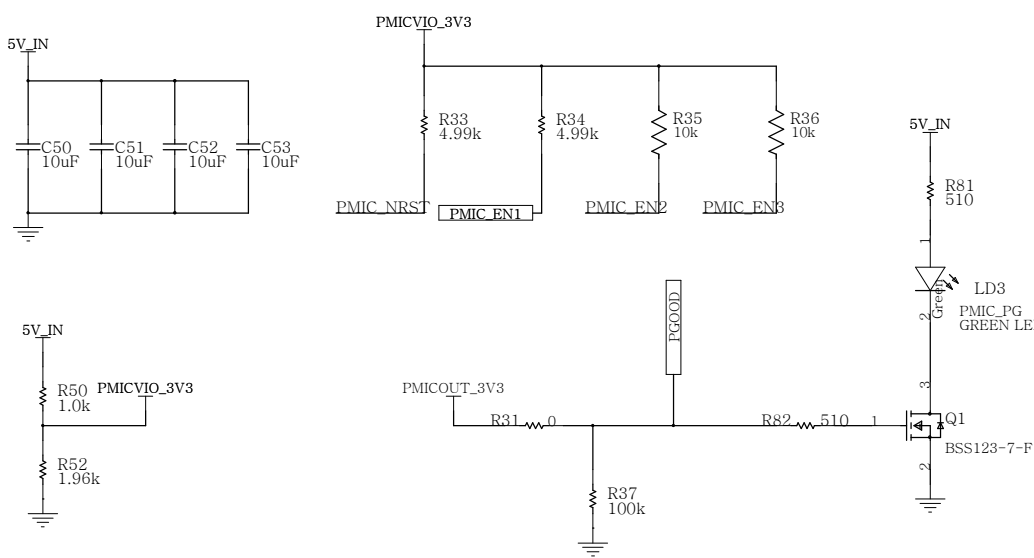
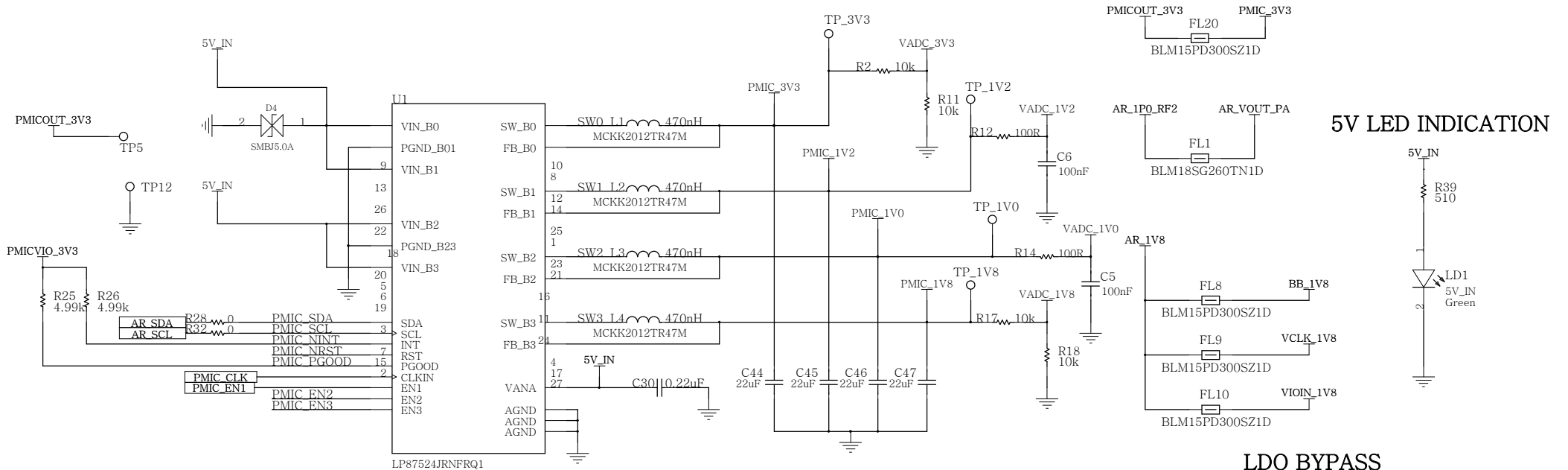


TiONE Confidential		
Title T1-6843AOP		
Size B	Document Number AOP_IO	Rev 0A
Date:	Thursday, July 22, 2021	Sheet 2 of 7

5 4 3 2 1

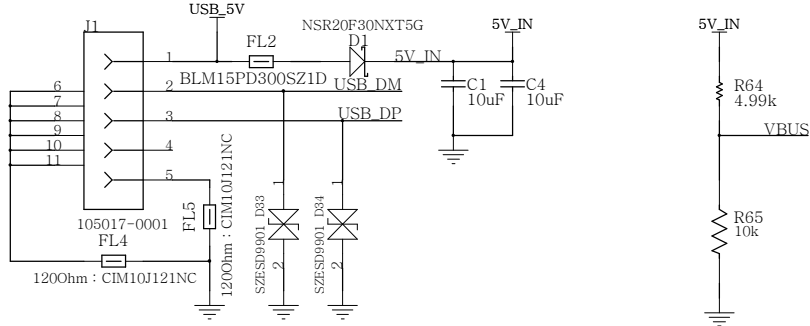
5 4 3 2 1

PMIC (3.3V, 1.2V, 1.0V, 1.8V OUTPUTS)

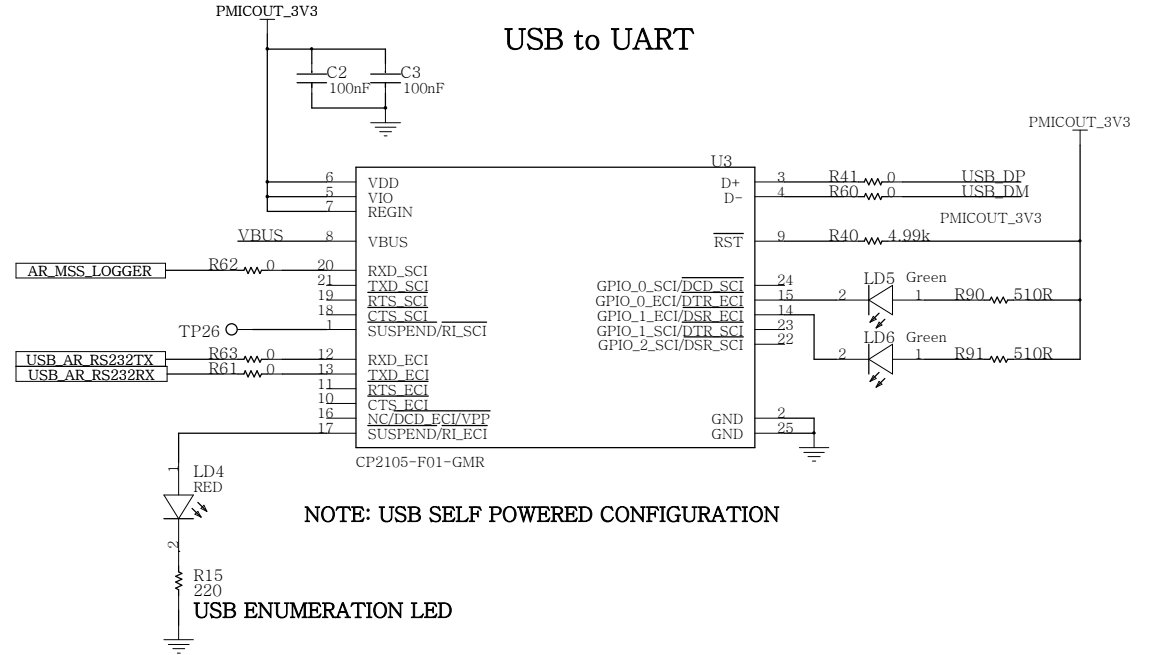


TiONE Confidential		
Title	T1-6843AOP	
Size	Document Number	Rev
B	AOP_PMIC	0A
Date:	Thursday, July 22, 2021	Sheet 4 of 7

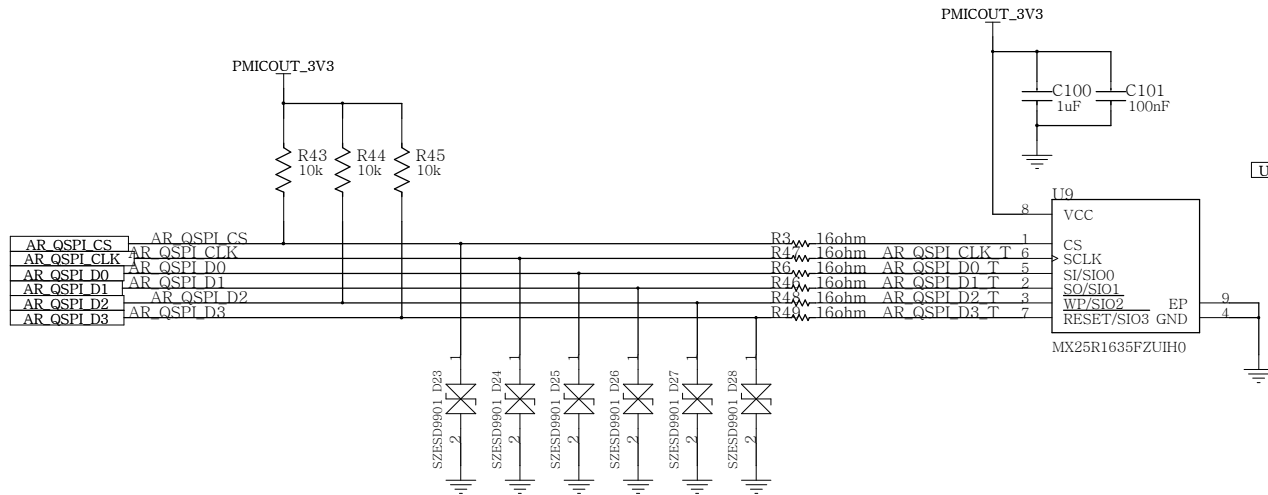
USB CONNECTOR



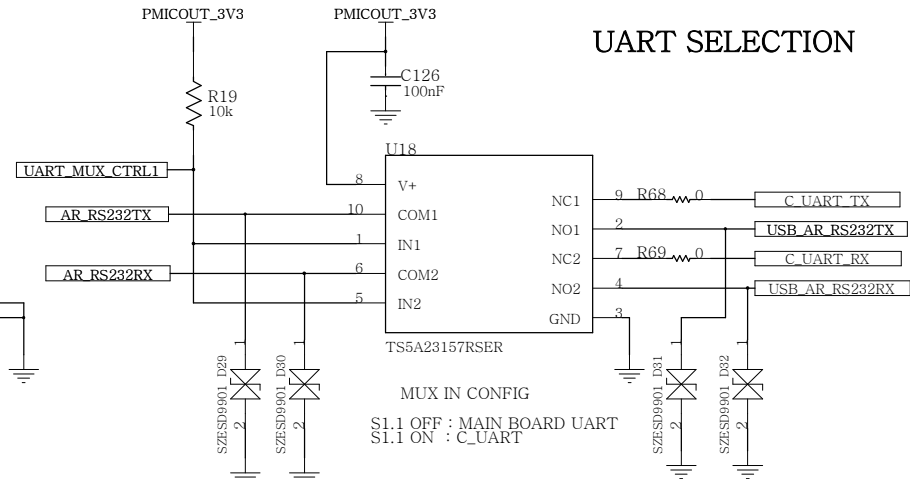
USB to UART



QSPI FLASH

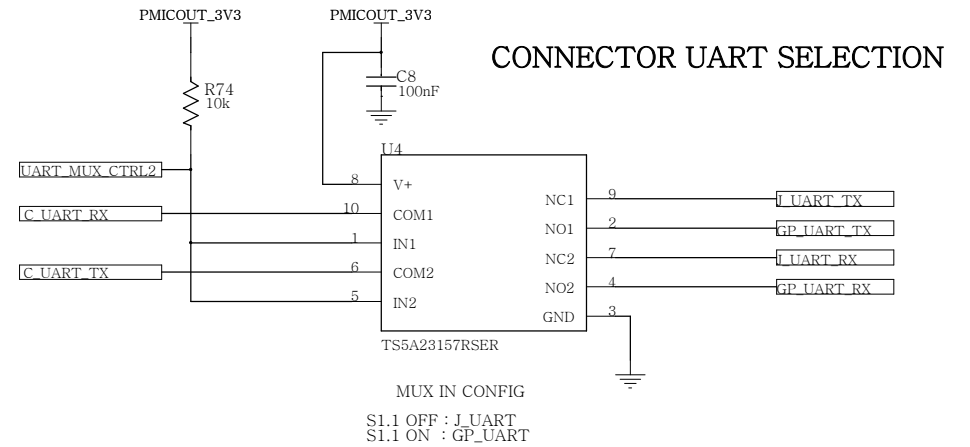
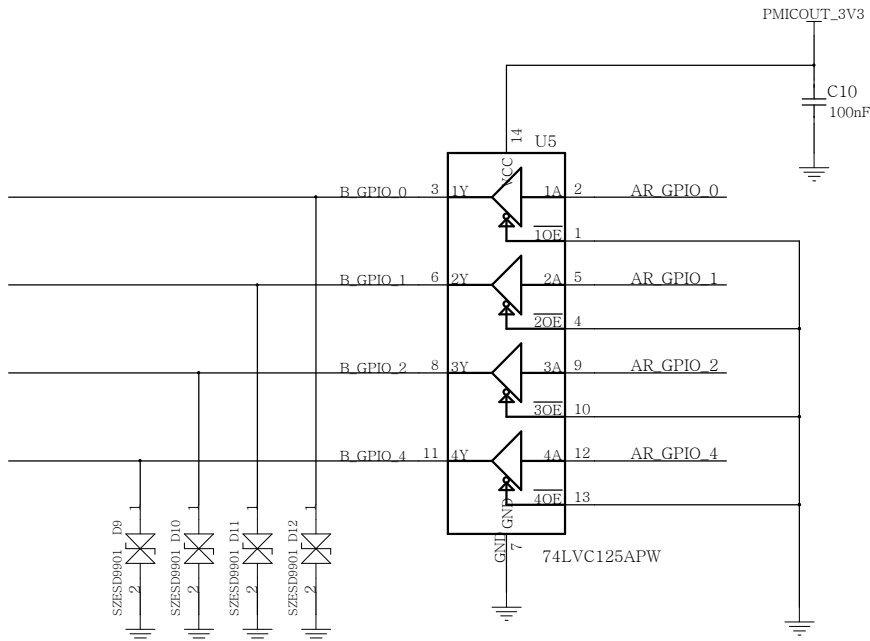
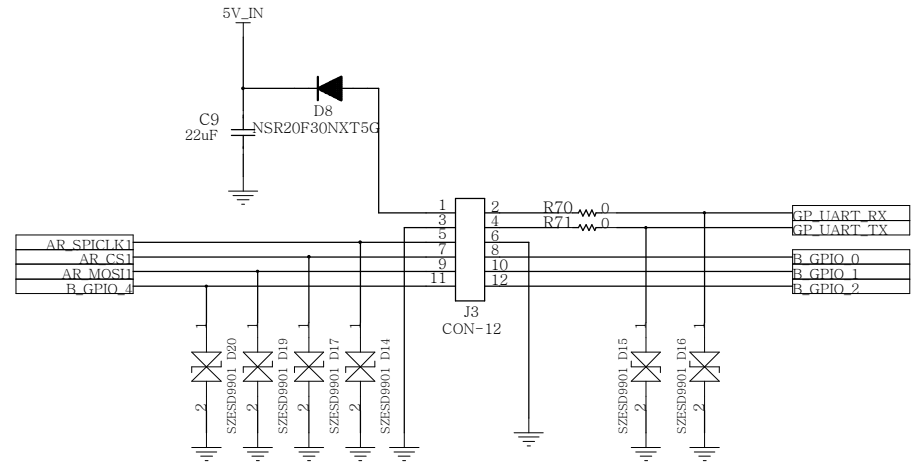
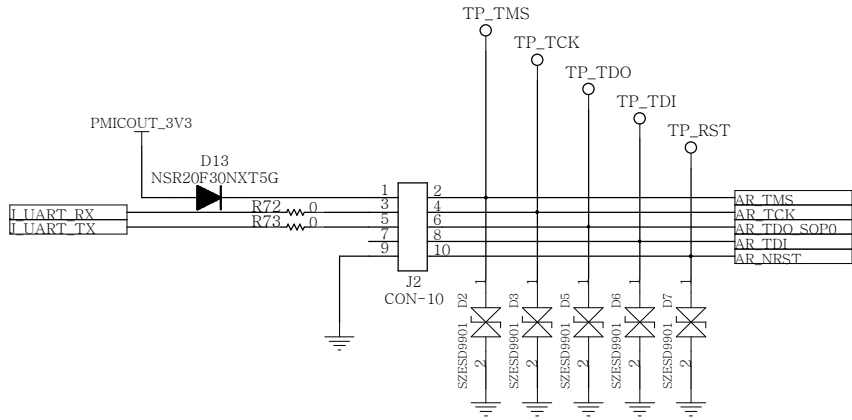


UART SELECTION

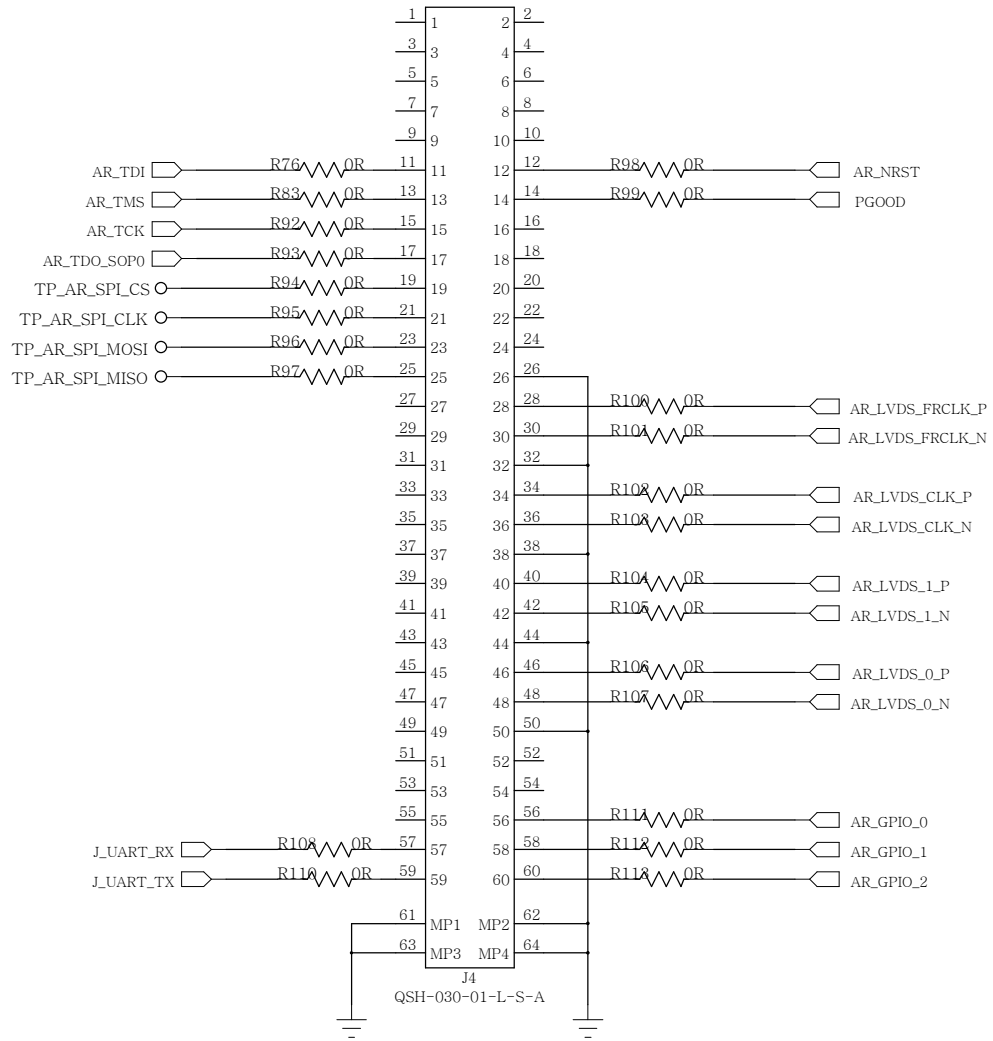


TyONE Confidential		
Title	T1-6843AOP	
Size	Document Number	Rev
B	FLASH_USB_TO_UART	0A
Date:	Thursday, July 22, 2021	Sheet 5 of 7

FID8 FID7 FID9 FID10



TiONE Confidential			
Title T1-6843AOP			
Size B	Document Number JTAG_SPI_UART		Rev 0A
Date: Thursday, July 22, 2021	Sheet 6	of 7	



<i>TyONE Confidential</i>		
Title T1-6843AOP		
Size B	Document Number EXT-IF	Rev 0A
Date: Thursday, July 22, 2021	Sheet 7	of 7