

6

5

4

3

2

1

AMBIENT TEMP SENSOR BOARD

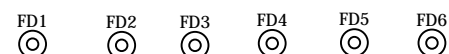
REVISION RECORD			
LTR	ECO NO:	APPROVED:	DATE:

Cover Page

Revision History

Rev No.	Date	Description
0.1	20-05-2020	Initial Draft
1.0	29-05-2020	EM1B Design Release
1.1	04-09-2020	EM1C Design updates
2.0	07-09-2020	EM1C Design Release

Fiducials



Mounting Holes

MH2 MH3

 MH1-3 are plated with 2.7mm drill dia and 3.7mm keepout dia

MH4

 MH4 is non plated with 4mm drill dia

COMPANY: AWAK TECHNOLOGIES			
TITLE: AMBIENT TEMP SESNOR BOARD			
DRAWN: Siddharth Roy	DATED: <Drawn Date>	CODE:	SIZE: C
CHECKED: <Checked By>	DATED: <Checked Date>	<Code>	DRAWING NO: OTG-PCB-04-02
QUALITY CONTROL: <QC By>	DATED: <QC Date>	SCALE: <Scale>	REV: 2.0
RELEASED: <Released By>	DATED: <Release Date>	SHEET: 1 OF 2	

6

5

4

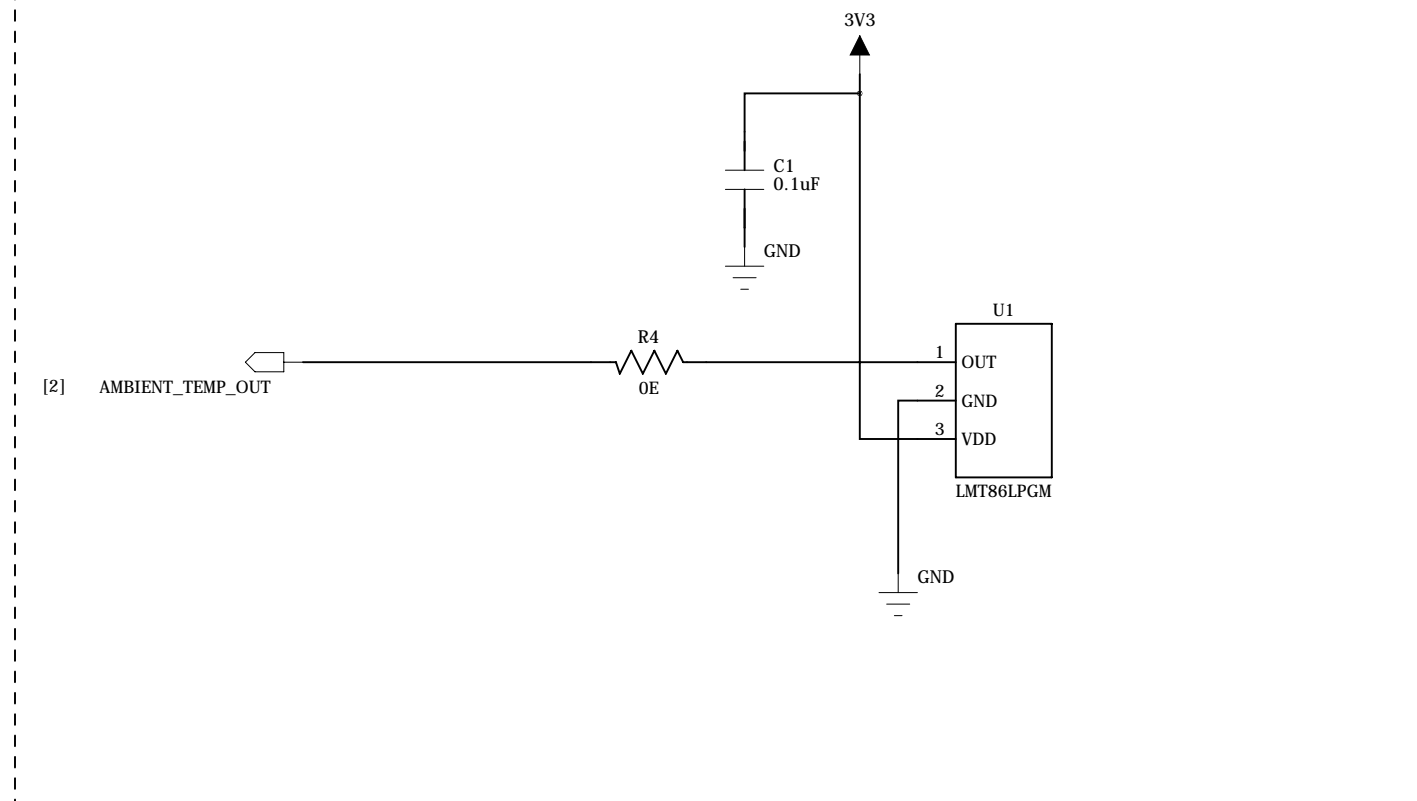
3

2

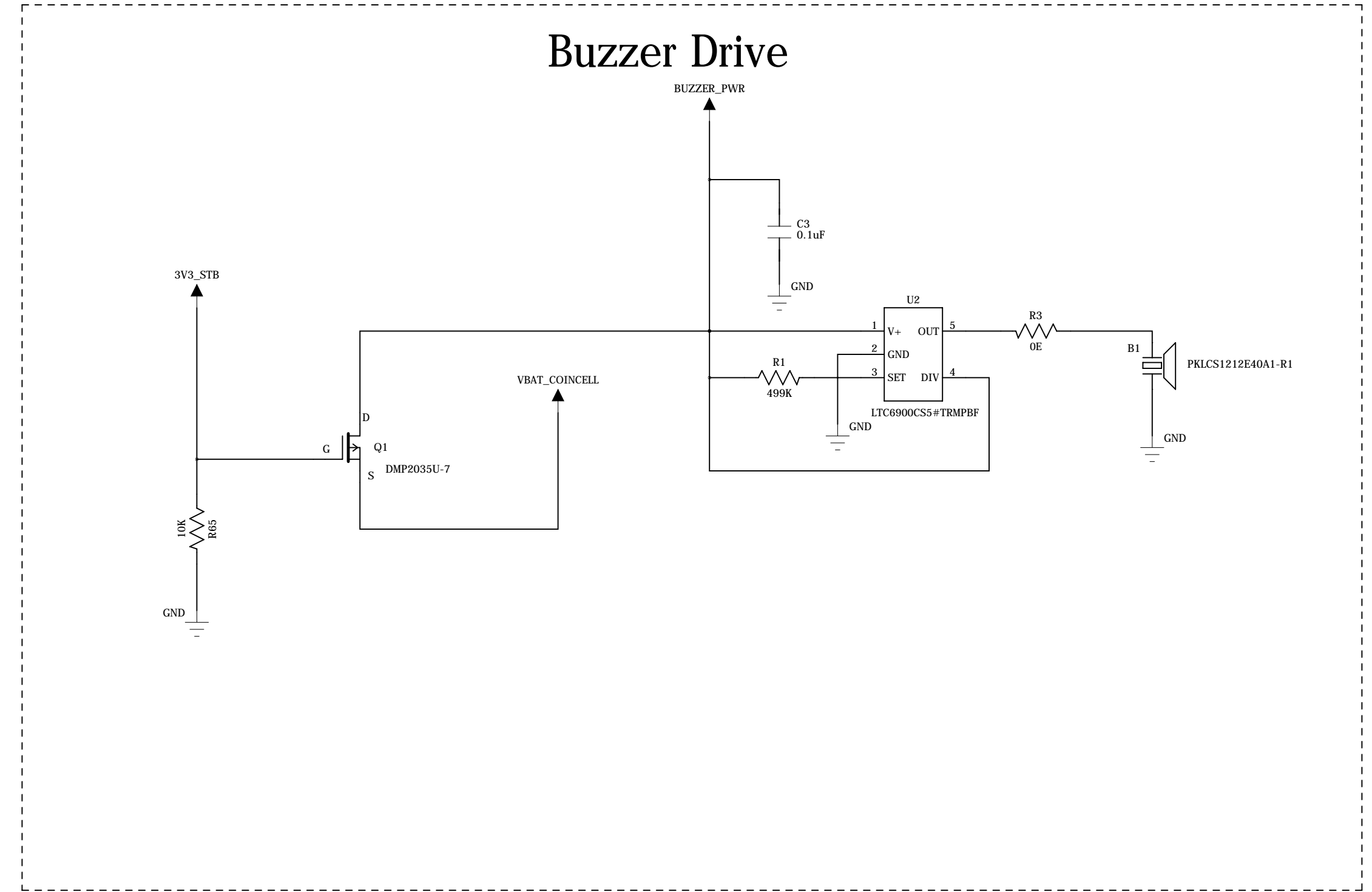
1

REVISION RECORD			
LTR	ECO NO:	APPROVED:	DATE:

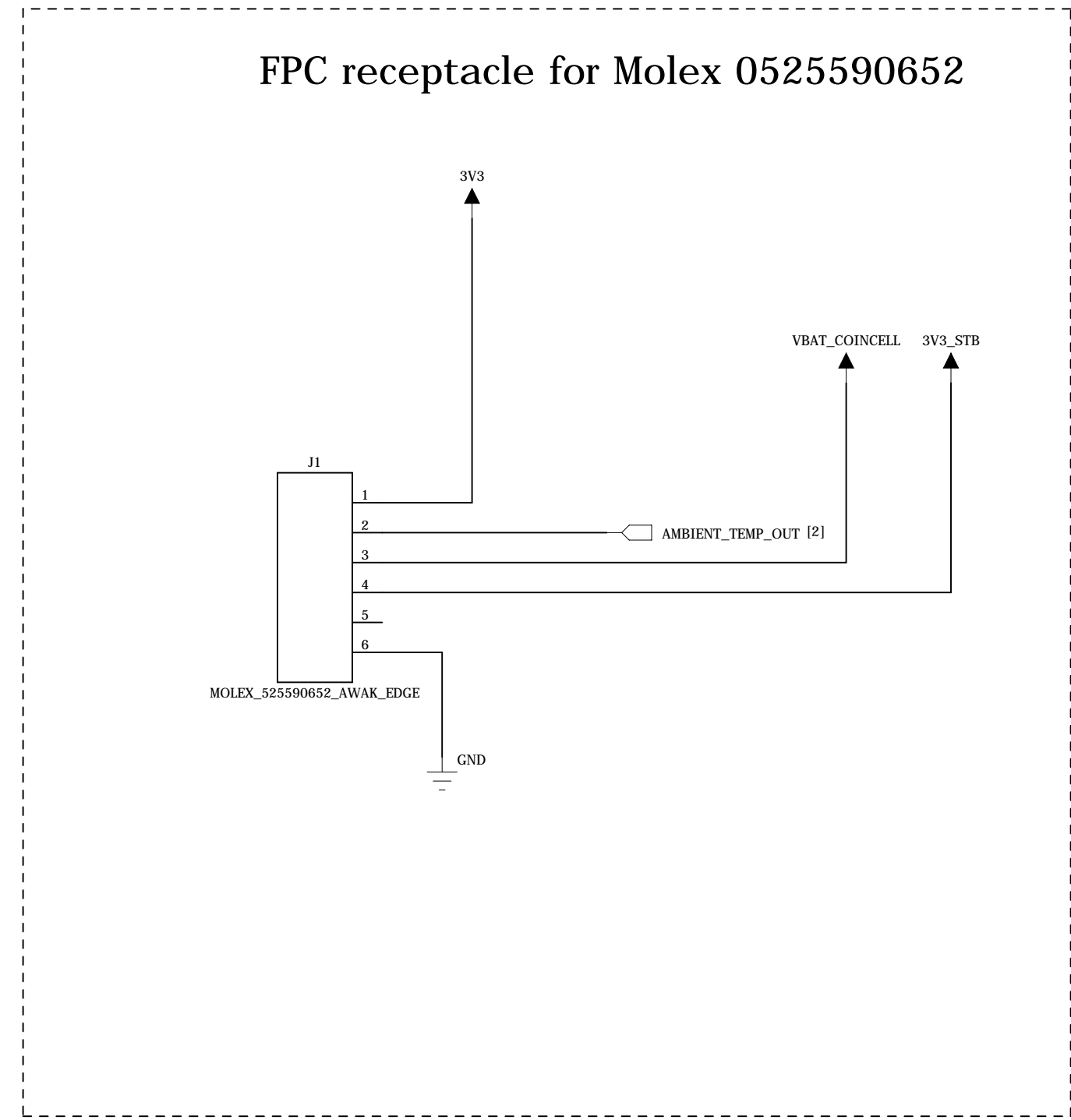
Ambient Temperature Sensor



Buzzer Drive



FPC receptacle for Molex 0525590652



COMPANY: **AWAK TECHNOLOGIES**

TITLE: **AMBIENT TEMP SESNOR BOARD**

DRAWN: Siddharth Roy	DATED: <Drawn Date>
CHECKED: <Checked By>	DATED: <Checked Date>
QUALITY CONTROL: <QC By>	DATED: <QC Date>
RELEASED: <Released By>	DATED: <Release Date>

CODE:	SIZE:	DRAWING NO:	REV:
<Code>	C	OTG-PCB-04-02	2.0

SCALE: <Scale> SHEET: 2 OF 2