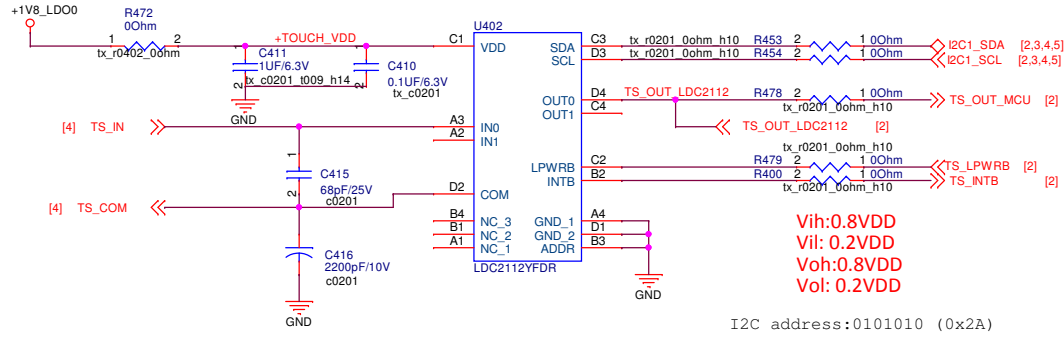
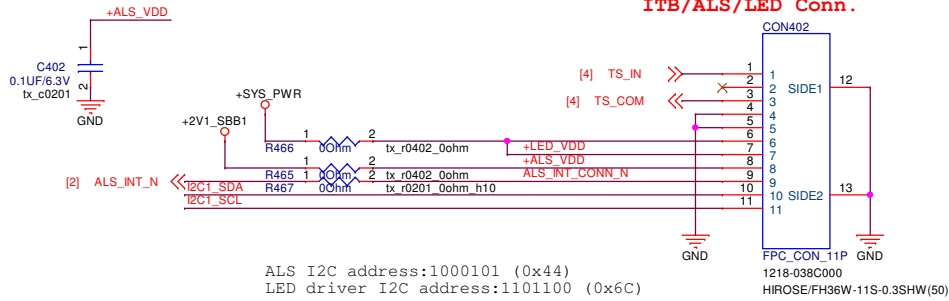


TI EZE "LDC2114: I2C voltage tolerance"
comment can connect to 3V3 MCU directly



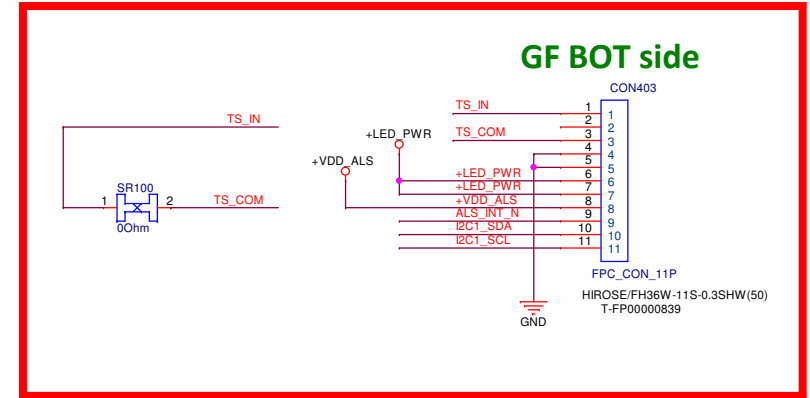
Vih:0.8VDD
Vil: 0.2VDD
Voh:0.8VDD
Vol: 0.2VDD

I2C address:0101010 (0x2A)



ALS I2C address:1000101 (0x44)
LED driver I2C address:1101100 (0x6C)

MB



FPC