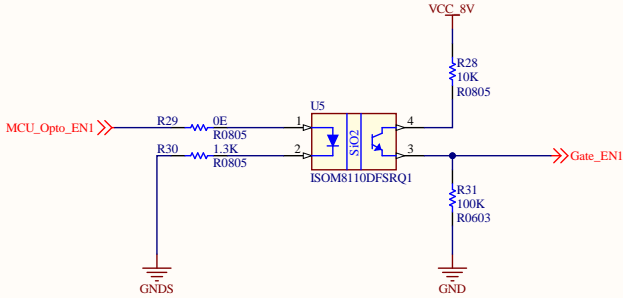
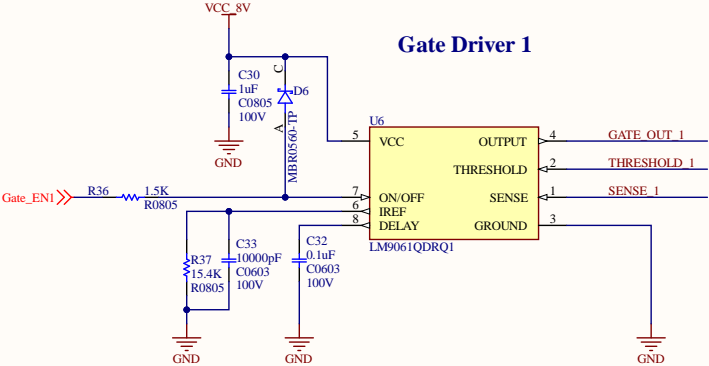


Load Circuit 1

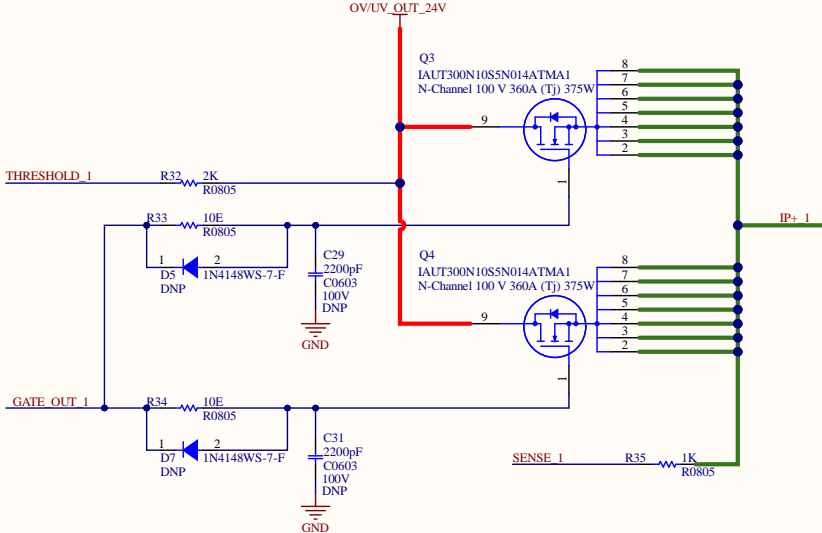
Opto-Isolator 1



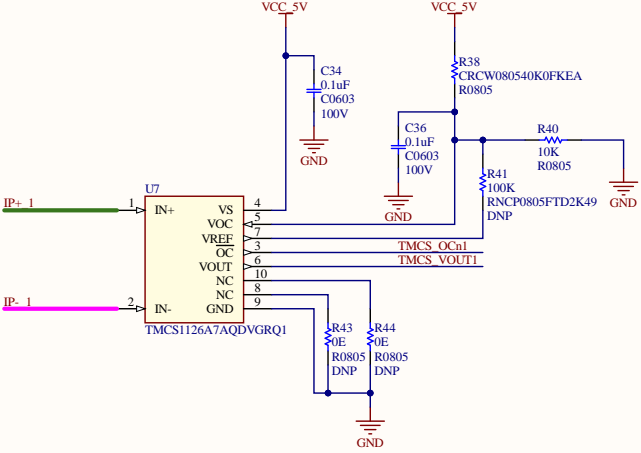
Gate Driver 1



Coil MOSFET Section 1



Hall Effect Current Sensor 1



Coil Connector 1

