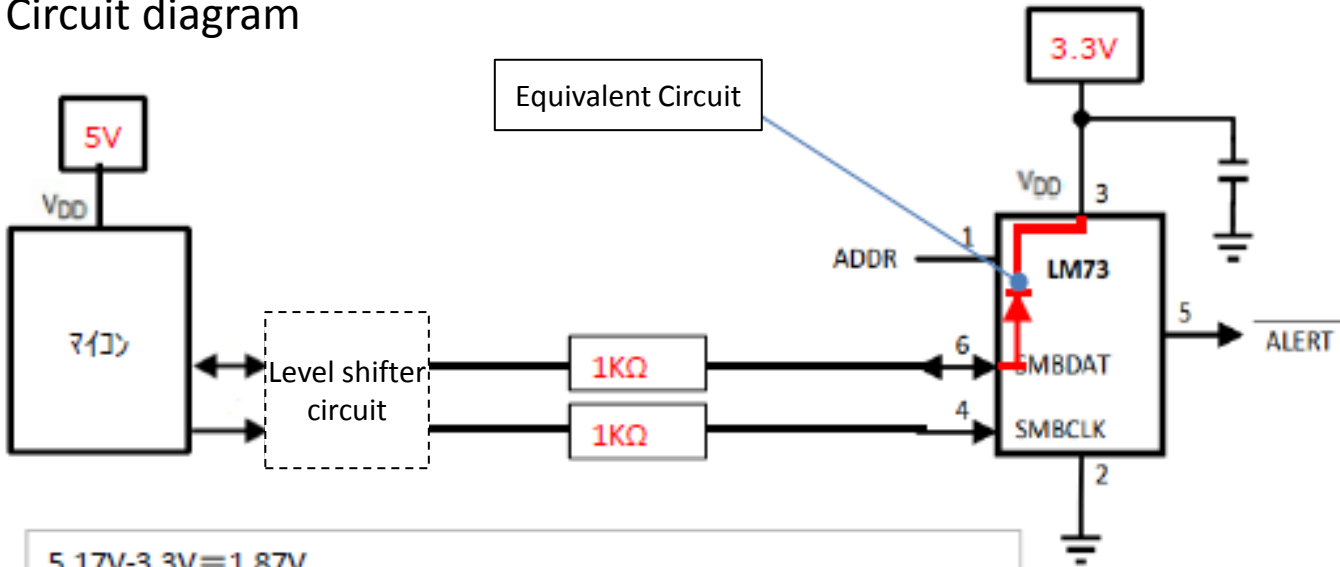


LM73 absolute maximum ratings of interface pins

■ Circuit diagram



$$5.17V - 3.3V = 1.87V$$
$$1.87V / 1k\Omega = 1.87mA$$

Image equivalent circuit

When 1.87V voltage differences occur, current don't flow over +/- 5mA.

