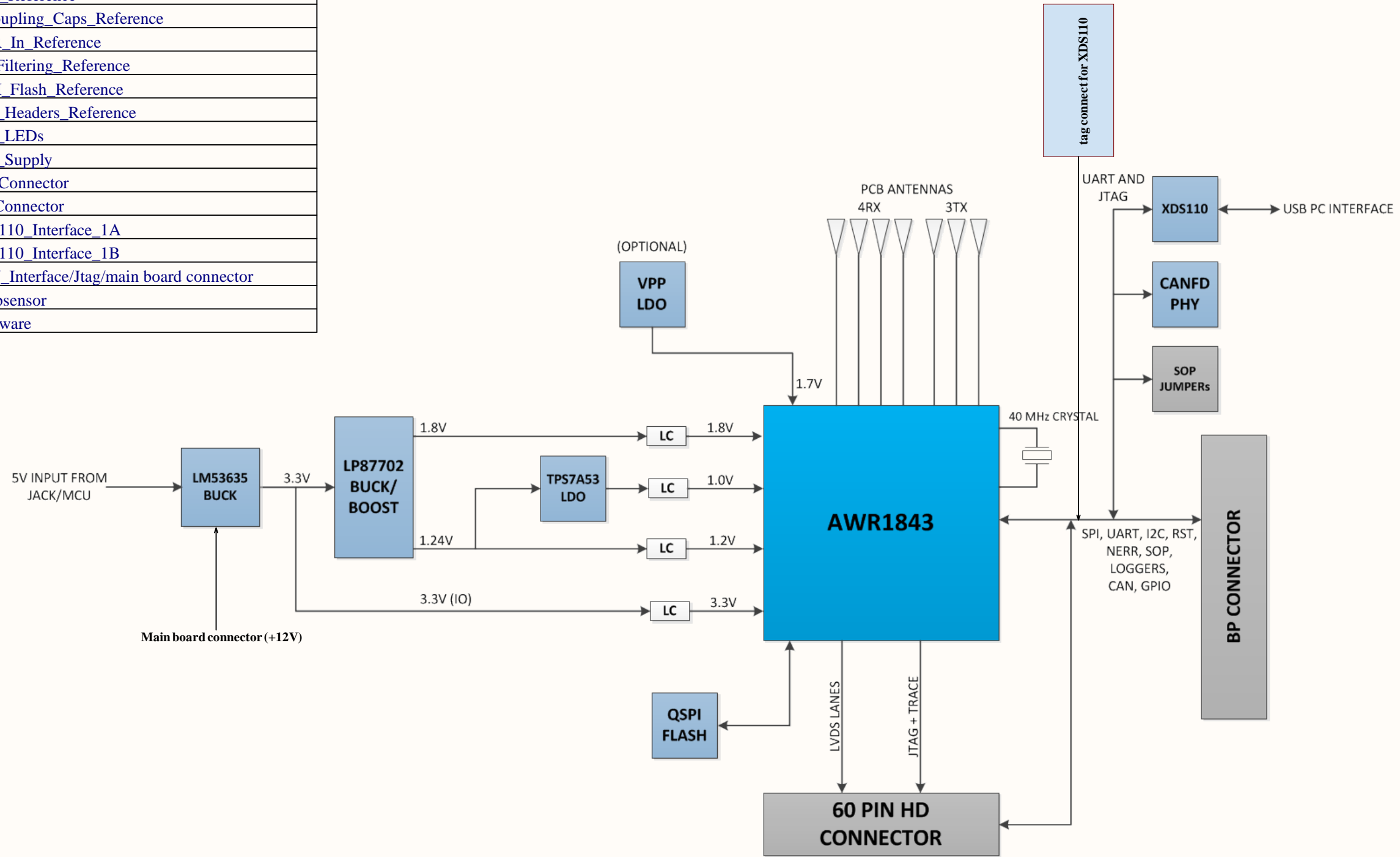


TABLE OF CONTENTS

SHEET NO.	SHEET NAME
1	Cover Sheet
2	DUT_Reference
3	Decoupling_Caps_Reference
4	PWR_In_Reference
5	LC_Filtering_Reference
6	QSPI_Flash_Reference
7	SOP_Headers_Reference
8	RST_LEDs
9	VPP_Supply
10	HD_Connector
11	LP_Connector
12	XDS110_Interface_1A
13	XDS110_Interface_1B
14	CAN_Interface/Jtag/main board connector
15	Tempensor
16	Hardware

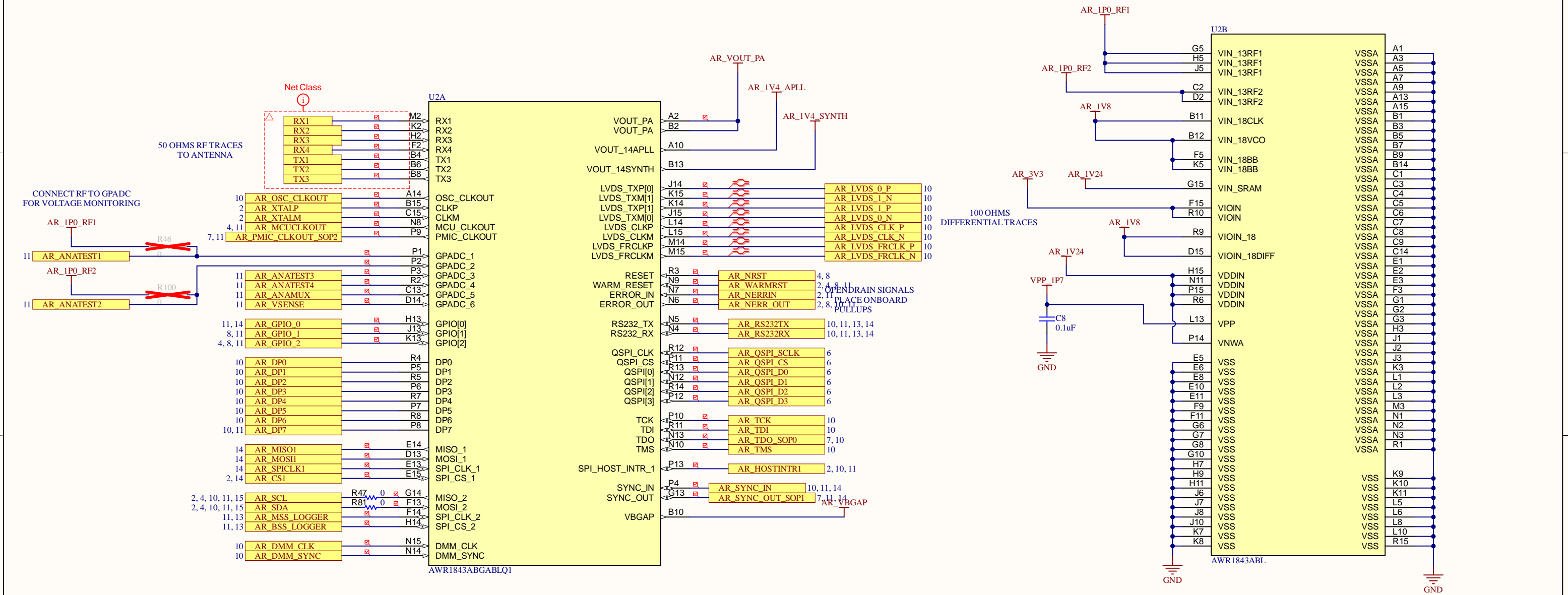
xWR1843 RCO

Revision: A

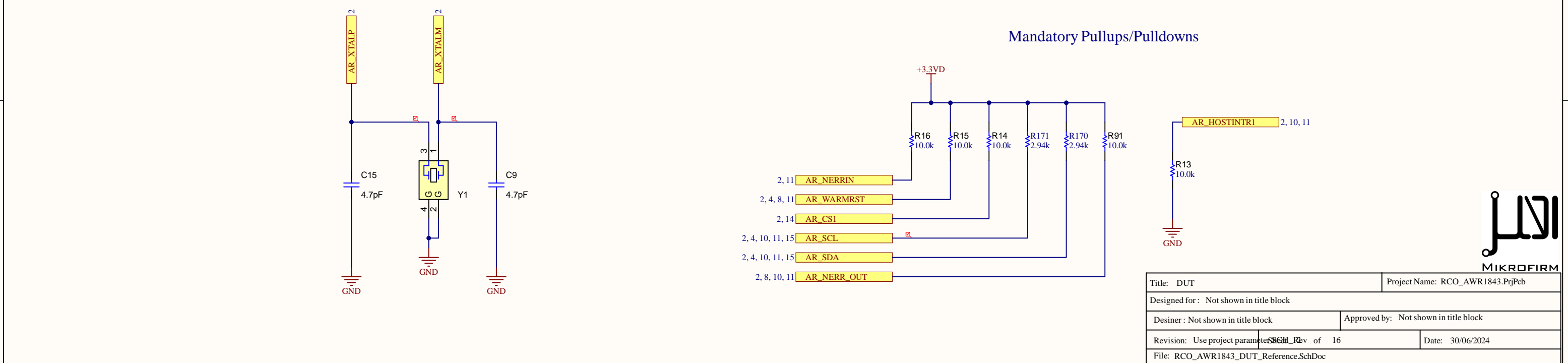


Title: Contents	Project Name: RCO_AWR1843.PrjPcb
Designed for: Not shown in title block	
Desiner: Not shown in title block	Approved by: Not shown in title block
Revision: Use project parameters Sch_Rev of 16	Date: 30/06/2024
File: RCO_AWR1843_Cover_Sheet.SchDoc	

DUT REFERENCE



Mandatory Pullups/Pulldowns

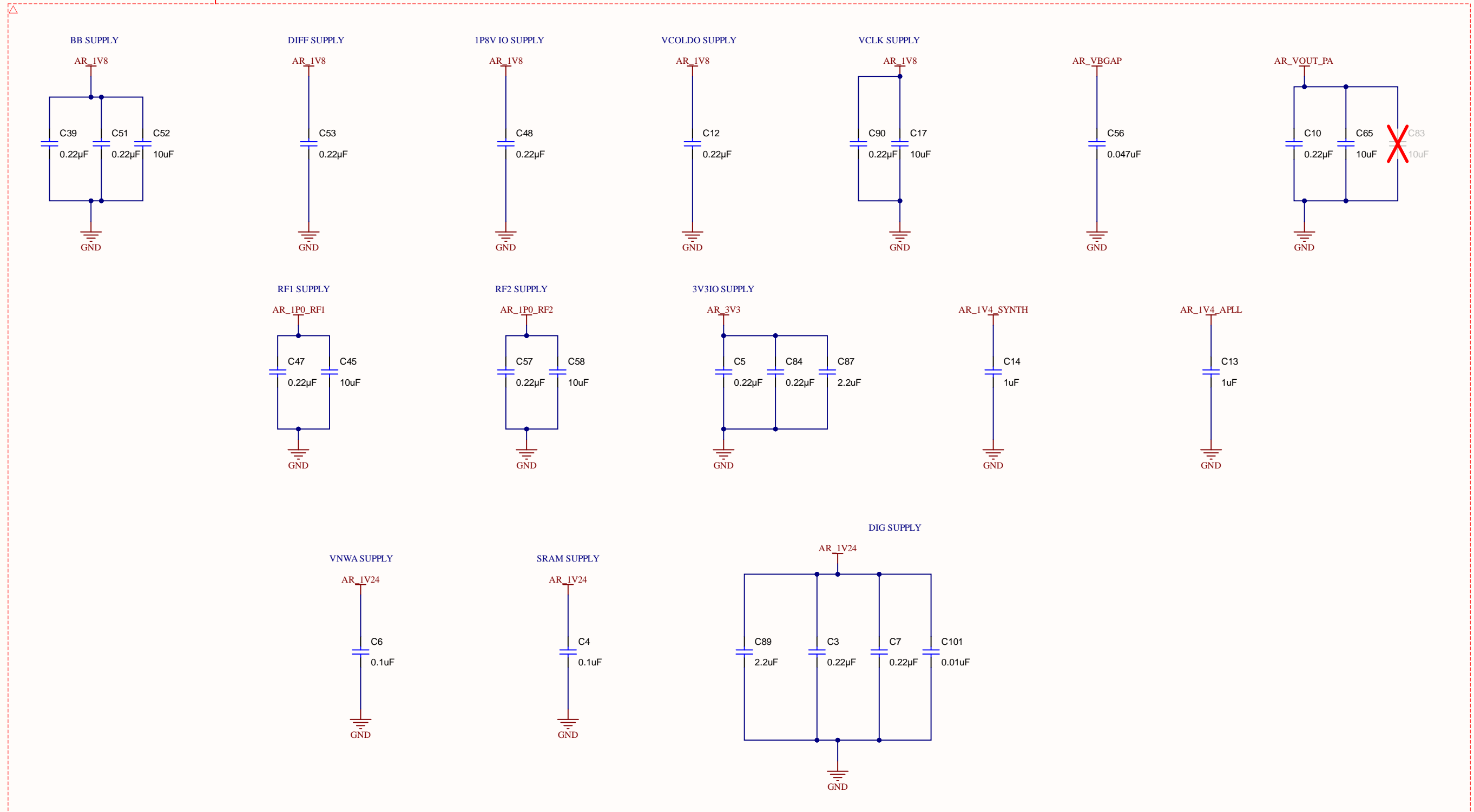


Title: DUT	Project Name: RCO_AWR1843.PrjPcb
Designed for: Not shown in title block	
Designer: Not shown in title block	Approved by: Not shown in title block
Revision: Use project parameters Sch_Rev of 16	Date: 30/06/2024
File: RCO_AWR1843_DUT_Reference.SchDoc	



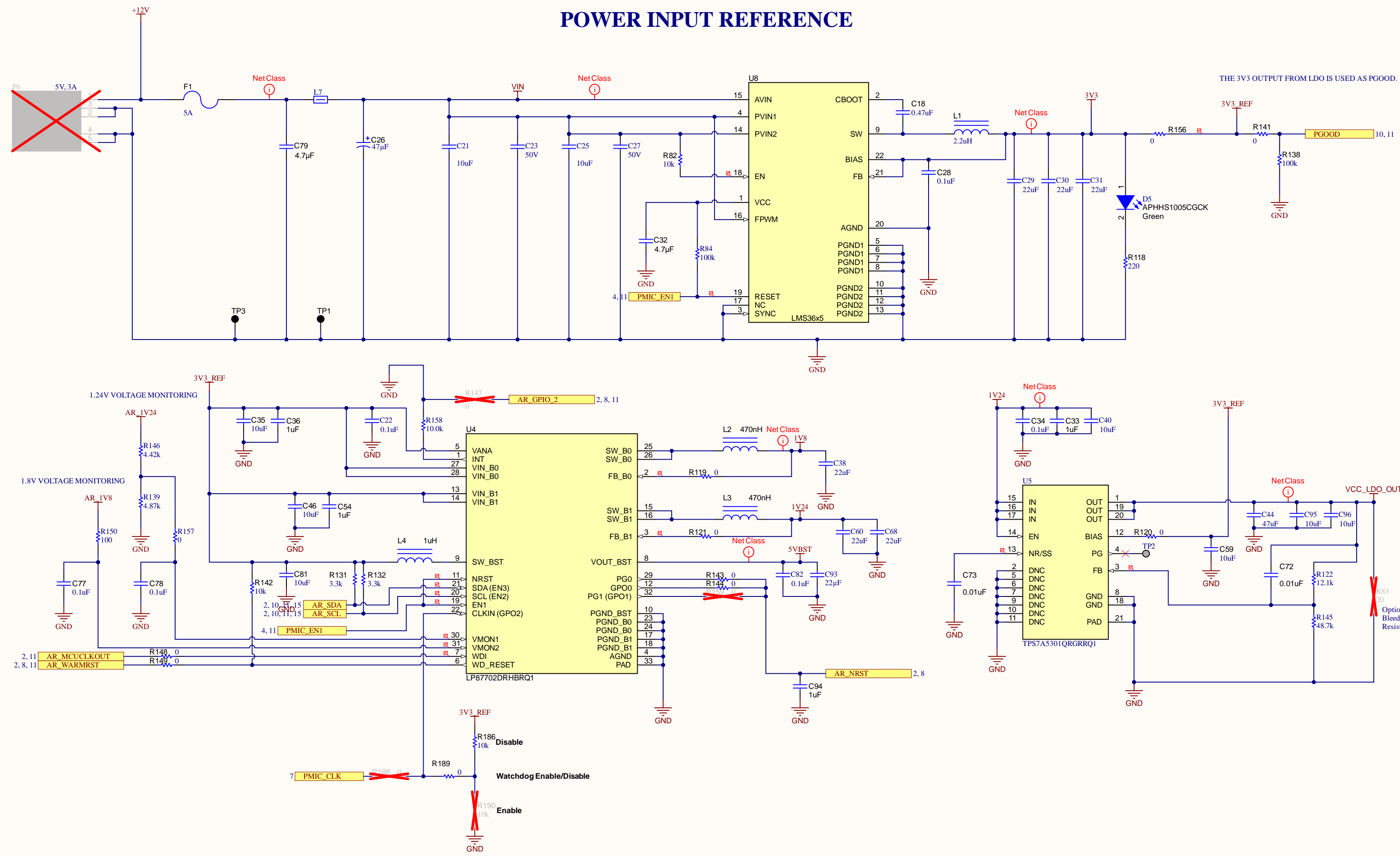
DECOUPLING CAPS REFERENCE

Net Class



Title: Decoupling_caps	Project Name: RCO_AWR1843.PrjPcb
Designed for: Not shown in title block	
Desiner: Not shown in title block	Approved by: Not shown in title block
Revision: Use project parameters SCH_Rev of 16	Date: 30/06/2024
File: RCO_AWR1843_Dcoupling_Caps_Reference.SchDoc	

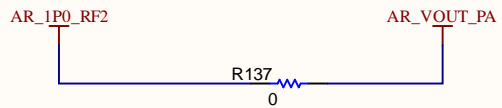
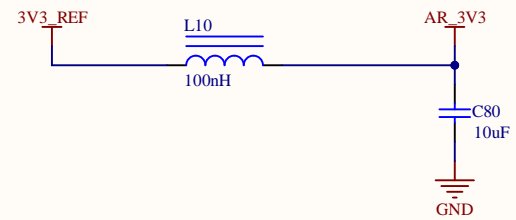
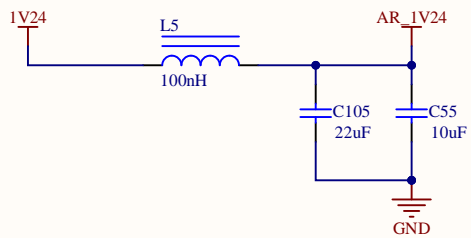
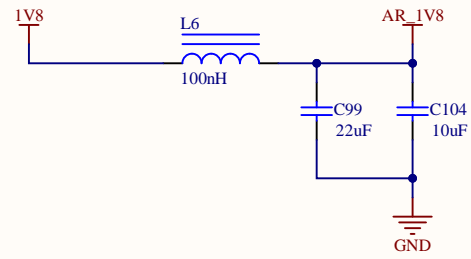
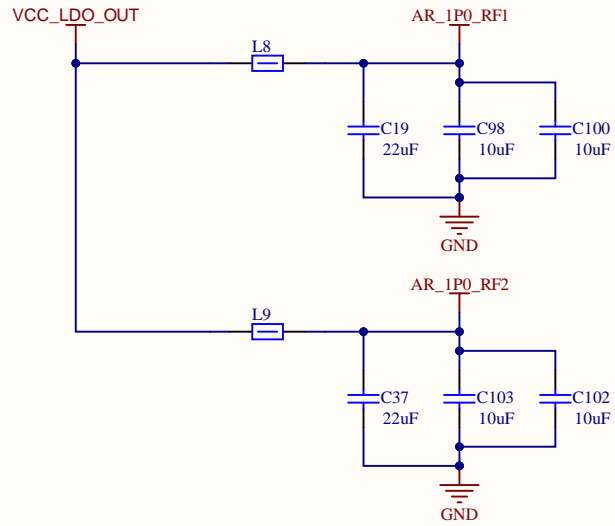
POWER INPUT REFERENCE



THE 3V3 OUTPUT FROM LDO IS USED AS PGOOD.

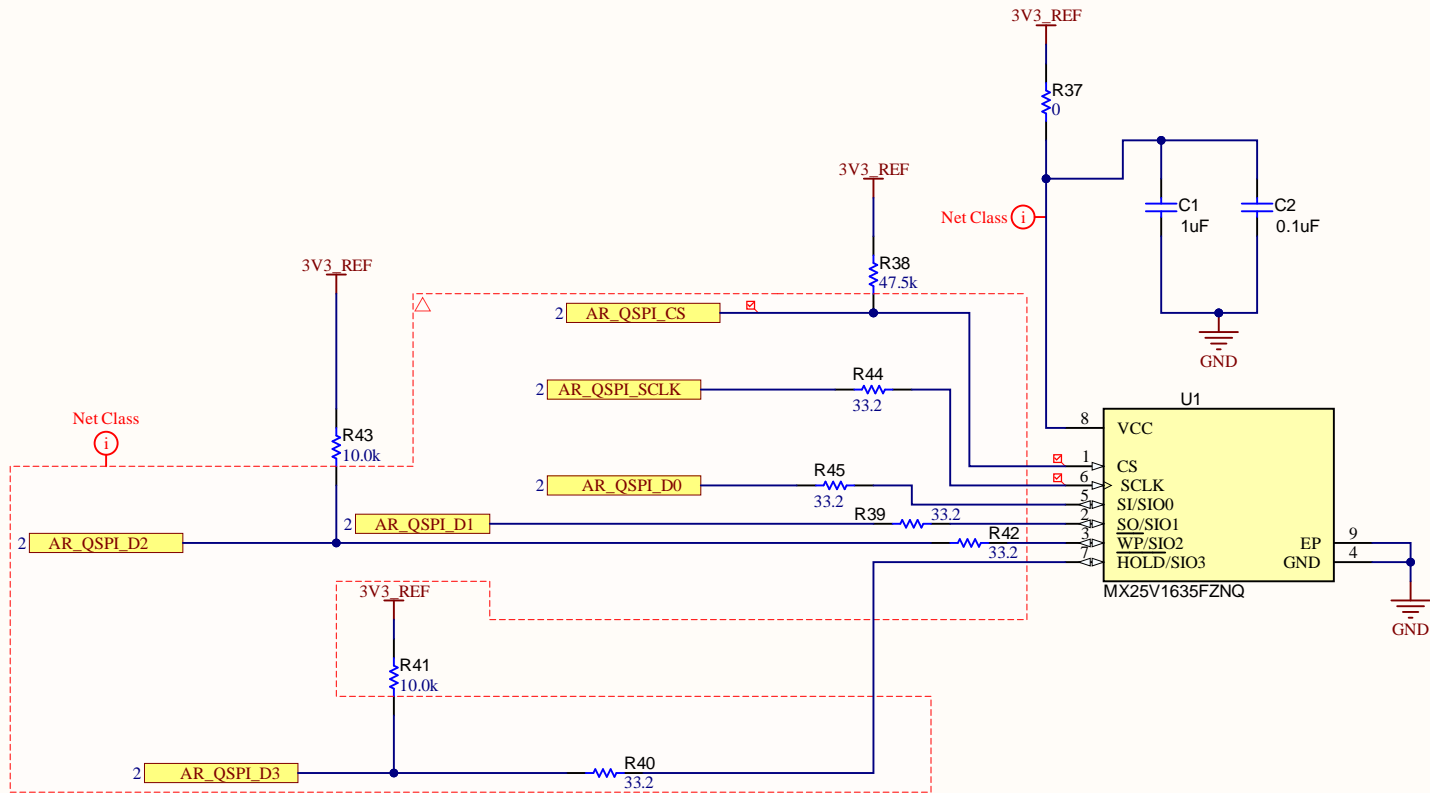


Title:	Project Name: RCO_AWR1843.PjPcb
Designed for:	Not shown in title block
Desiner:	Not shown in title block
Approved by:	Not shown in title block
Revision: Use project parameters	of 16
Date:	30/06/2024
File:	RCO_AWR1843_PWR_In_Reference.SchDoc



Title:		Project Name: RCO_AWR1843.PjPcb	
Designed for : Not shown in title block			
Desiner : Not shown in title block		Approved by: Not shown in title block	
Revision: Use project parameters		Sch Rev of 16	Date: 30/06/2024
File: RCO_AWR1843_LC_Filtering_Reference.SchDoc			

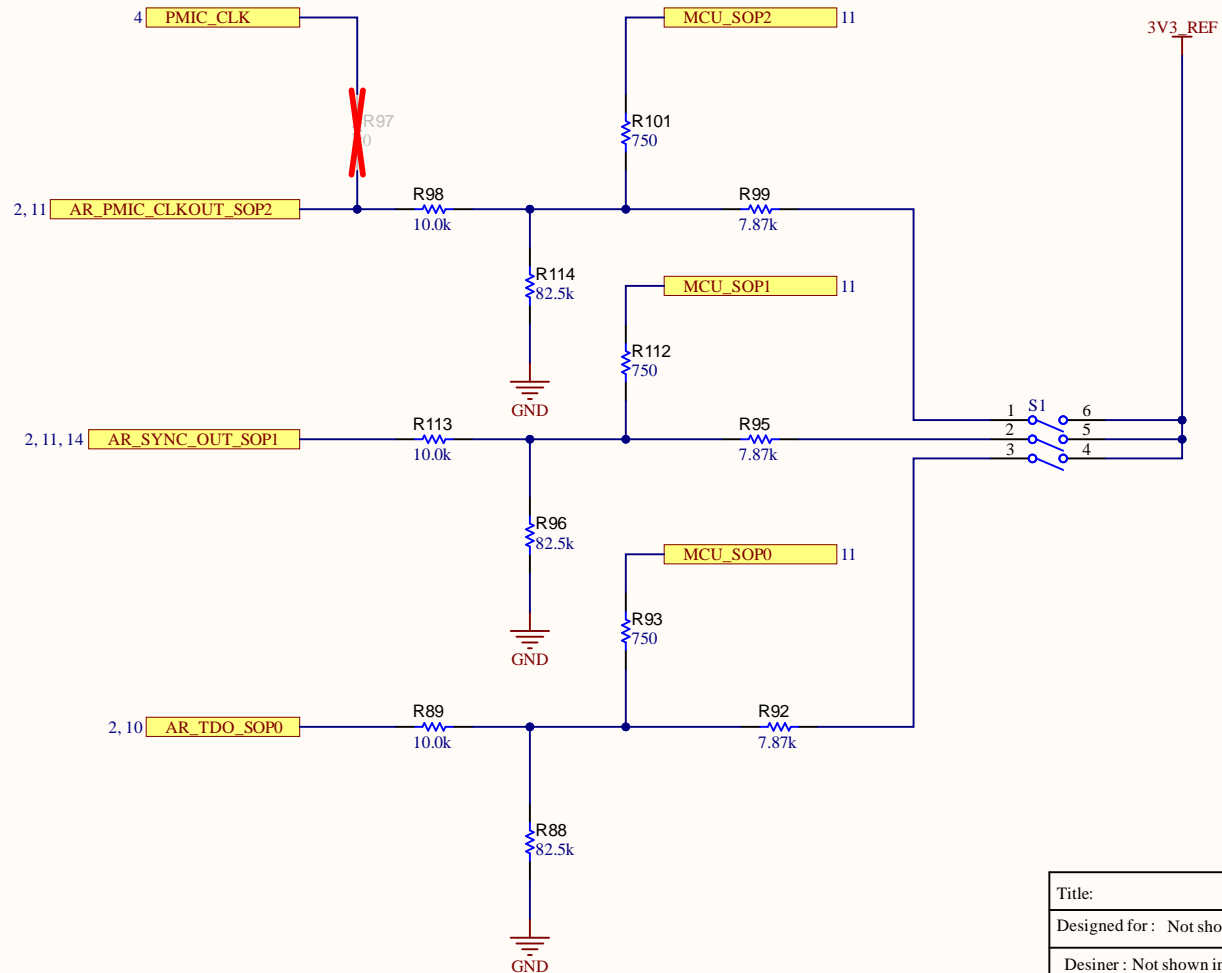
QSPI FLASH REFERENCE



Title: QSPI flash section		Project Name: RCO_AWR1843.PrjPcb	
Designed for: Not shown in title block			
Desiner: Not shown in title block		Approved by: Not shown in title block	
Revision: Use project parameters Sch Rev of 16		Date: 30/06/2024	
File: RCO_AWR1843_QSPI_Flash_Reference.SchDoc			

SOP HEADERS REFERENCE

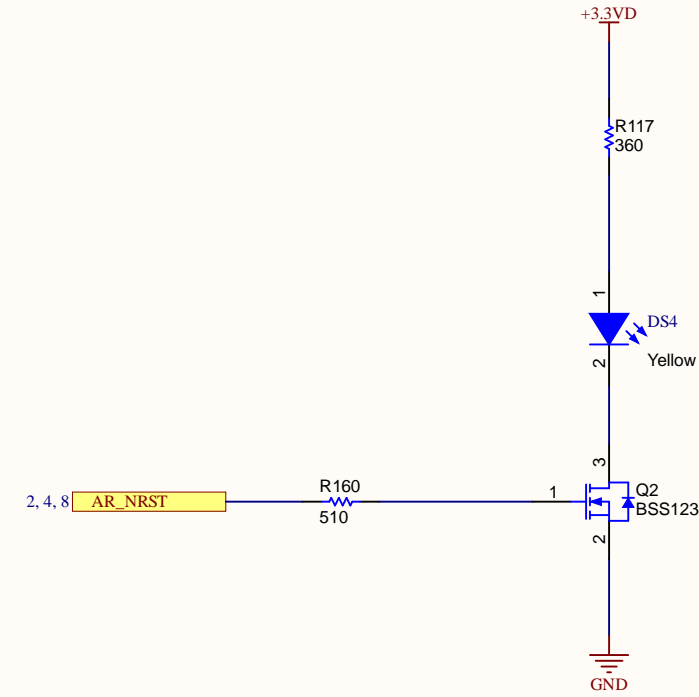
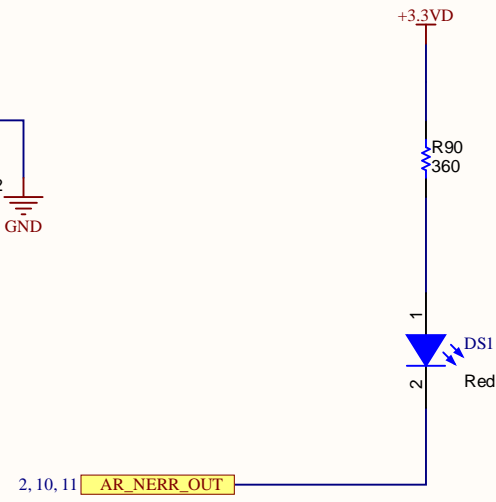
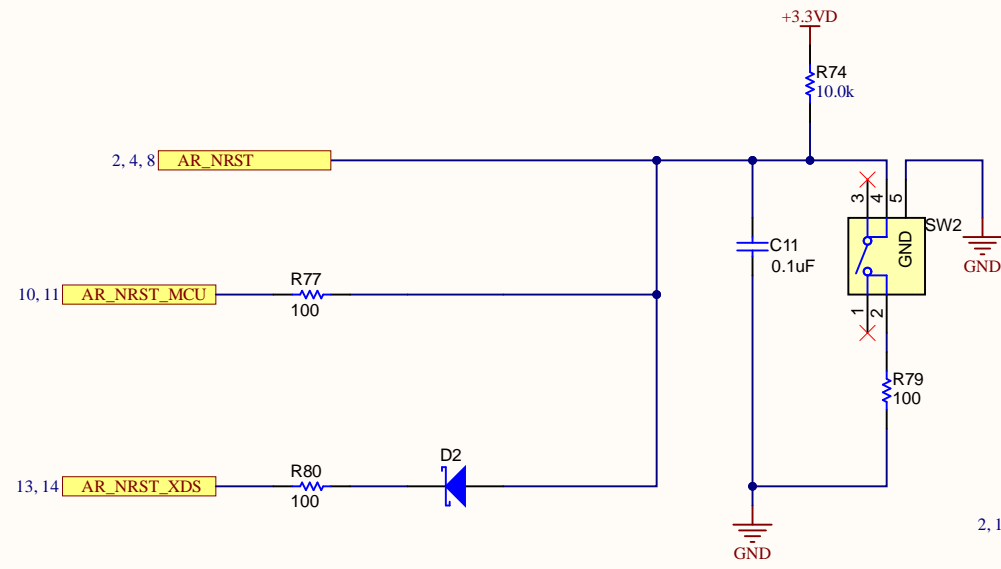
SOP_MODE1	"010"	SCAN/ATPG
SOP_MODE2	"011"	DEV/FLED/ORBIT
SOP_MODE3	"000"	THB
SOP_MODE4	"001"	FUNC -> DEFAULT VALUE FOR OUTPUTS
SOP_MODE5	"101"	DEV MANAGEMENT -> FOR FLASHING



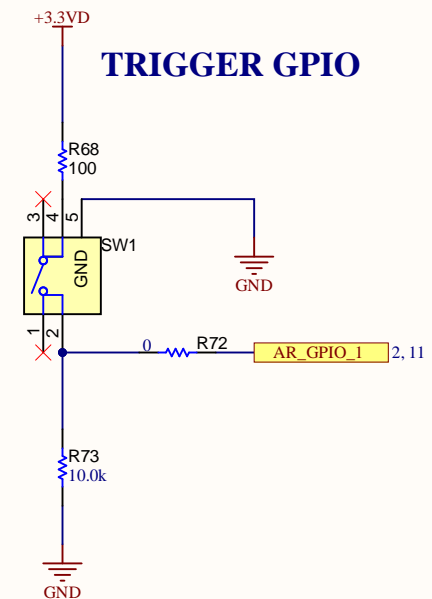
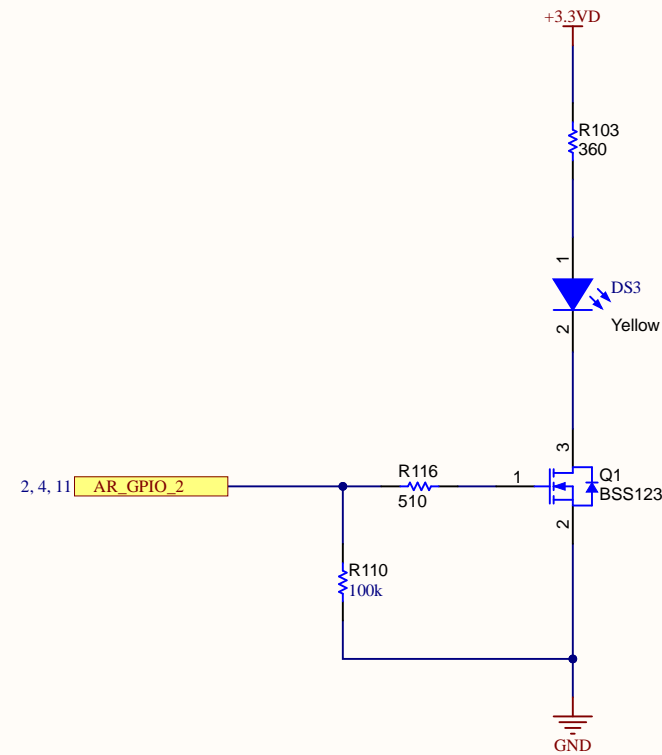
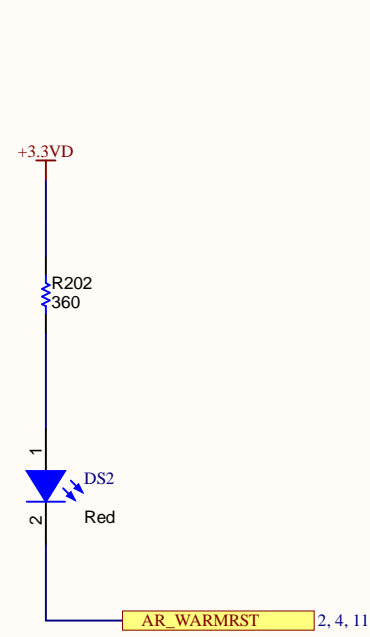
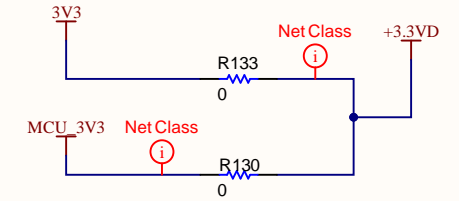
Title:		Project Name: RCO_AWR1843.PrjPcb	
Designed for : Not shown in title block			
Desiner : Not shown in title block		Approved by: Not shown in title block	
Revision: Use project parameters		Sch Rev of 16	Date: 30/06/2024
File: RCO_AWR1843_SOP_Headers_Reference.SchDoc			

RESET AND LEDS

INDICATION LEDS

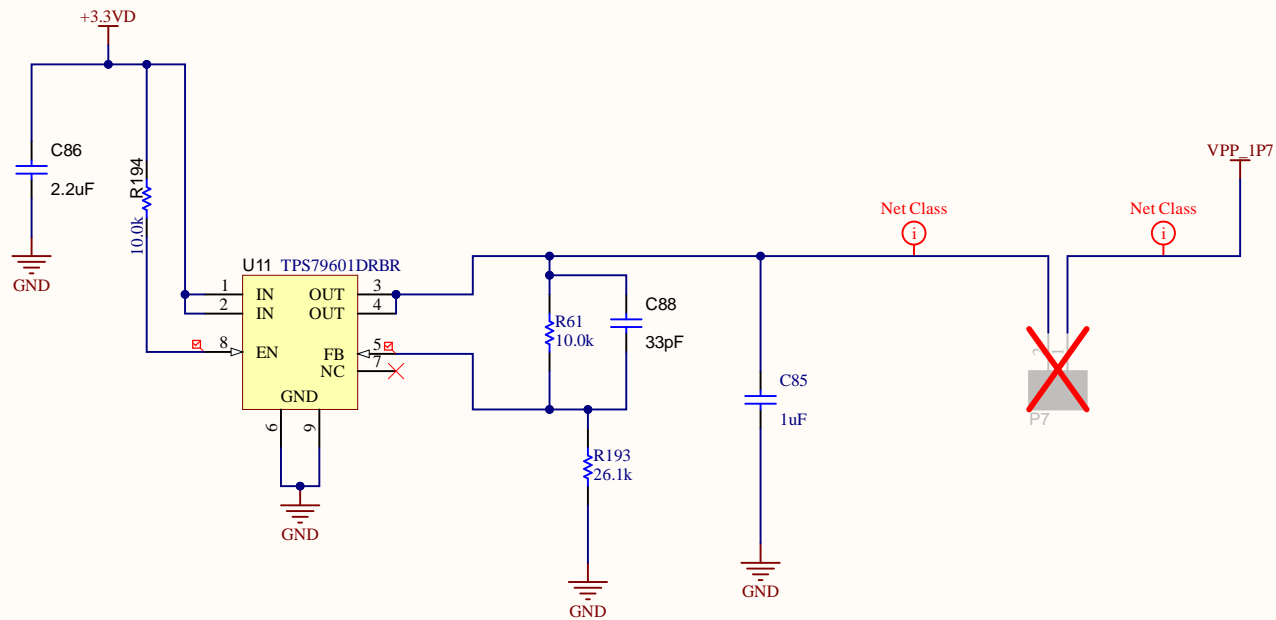


3V3 PERIPHERAL SUPPLY FROM LDO OR FROM THE MCU



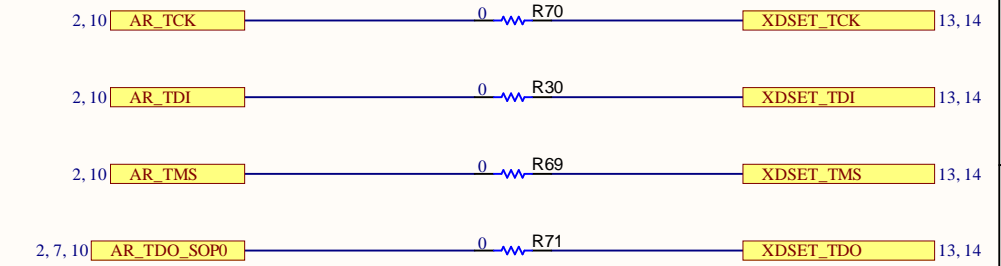
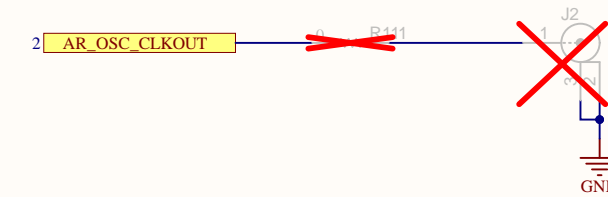
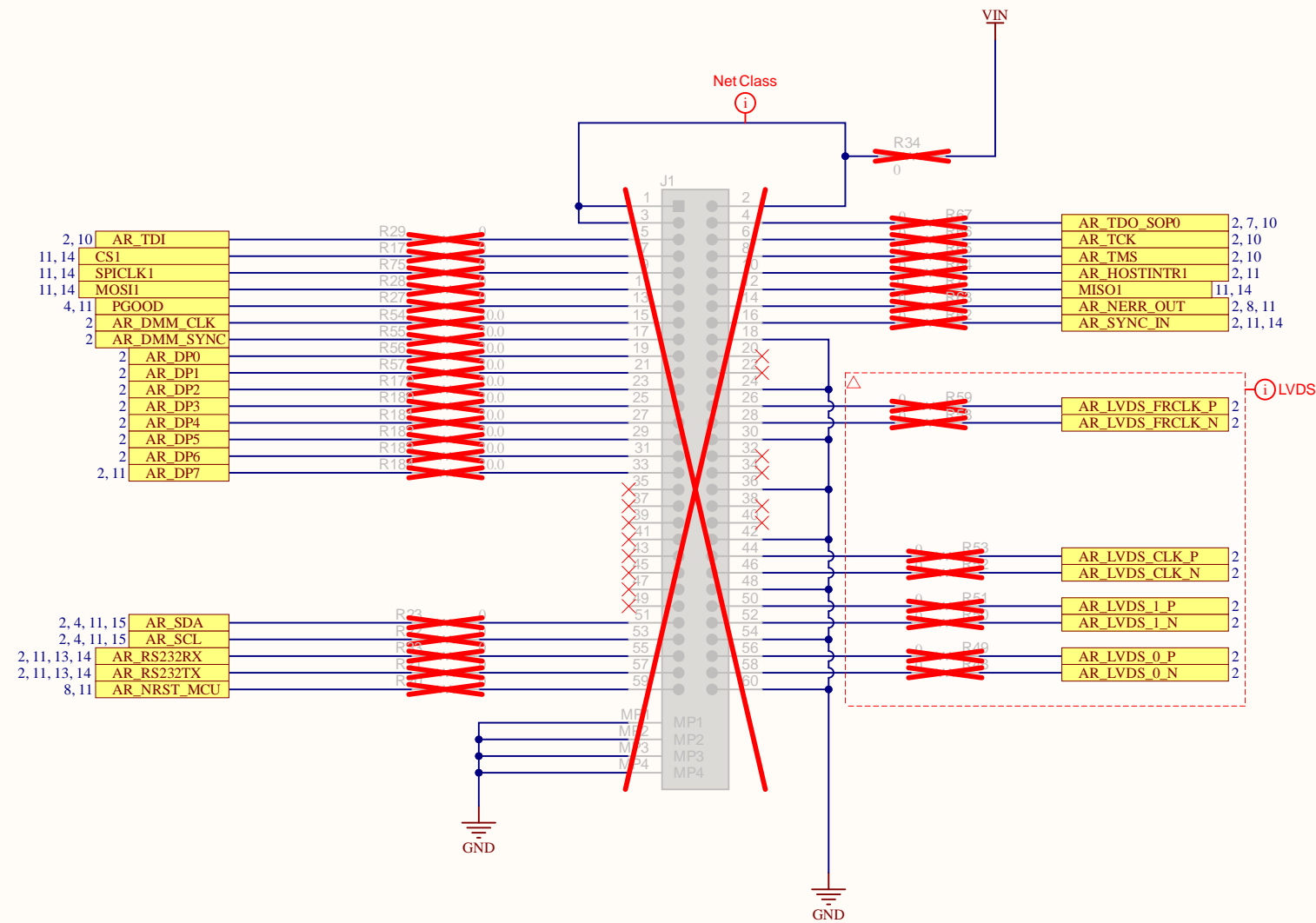
Title: Pwr_RST_LEDS	Project Name: RCO_AWR1843.PrjPcb
Designed for: Not shown in title block	
Desiner: Not shown in title block	Approved by: Not shown in title block
Revision: Use project parameters of 16	Date: 30/06/2024
File: RCO_AWR1843_RST_LEDS.SchDoc	

VPP SUPPLY LDO



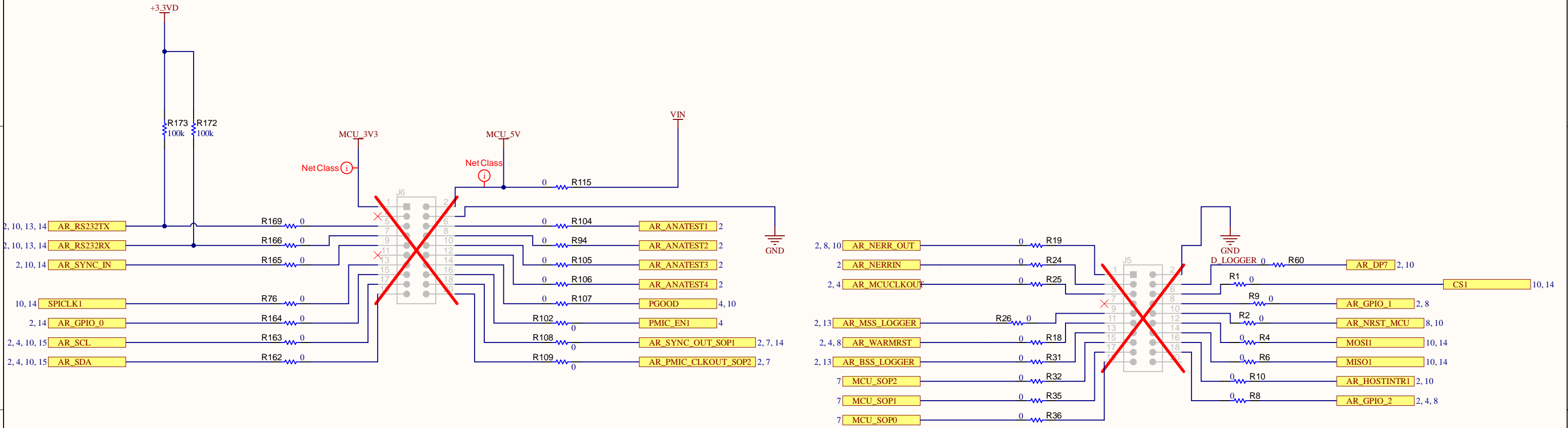
Title: VPP_Supply		Project Name: RCO_AWR1843.PrjPcb	
Designed for: Not shown in title block			
Desiner: Not shown in title block		Approved by: Not shown in title block	
Revision: Use project parameters		Sheet Rev of 16	Date: 30/06/2024
File: RCO_AWR1843_VPP_Supply.SchDoc			

HD CONNECTOR FOR LVDS/CSI AND JTAG

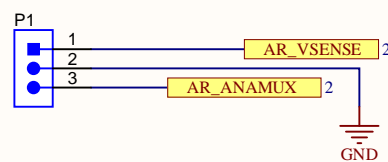


Title: HD Connector	Project Name: RCO_AWR1843.PrjPcb
Designed for: Not shown in title block	
Desiner: Not shown in title block	Approved by: Not shown in title block
Revision: Use project parameters of 16	Date: 30/06/2024
File: RCO_AWR1843_HD Connector.SchDoc	

BP/LP CONNECTOR

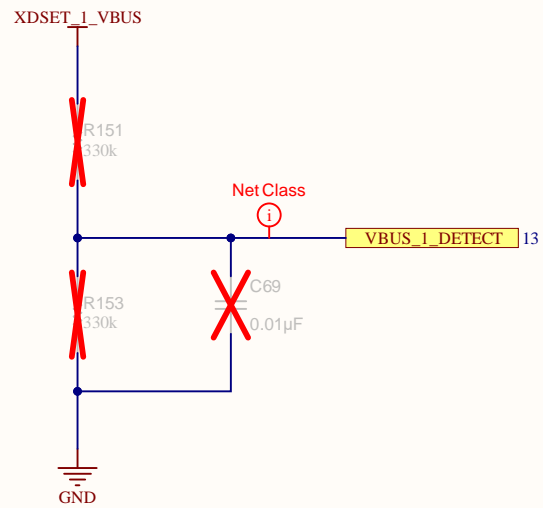
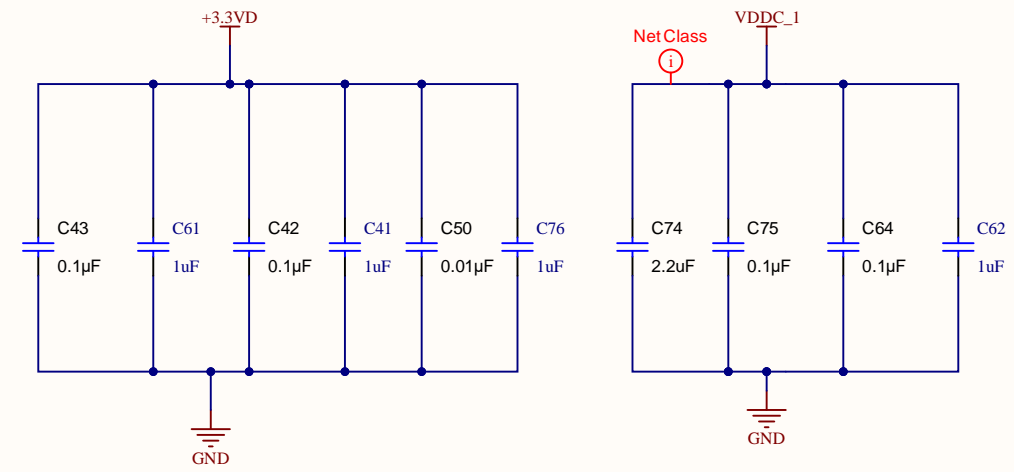
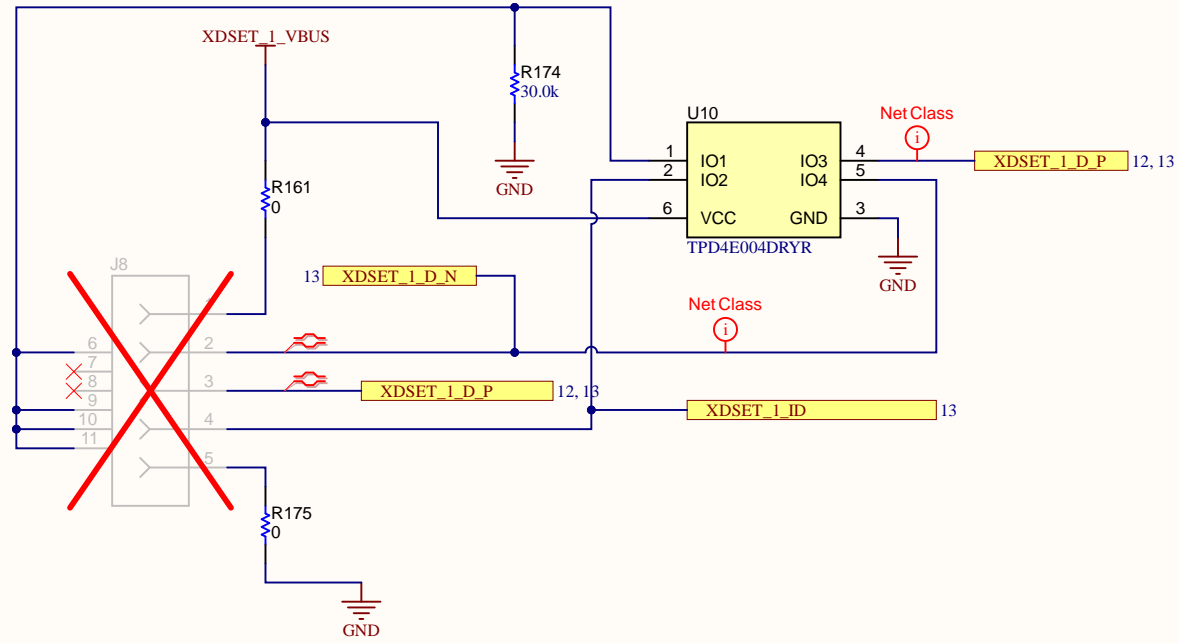


ANALOG SIGNALS



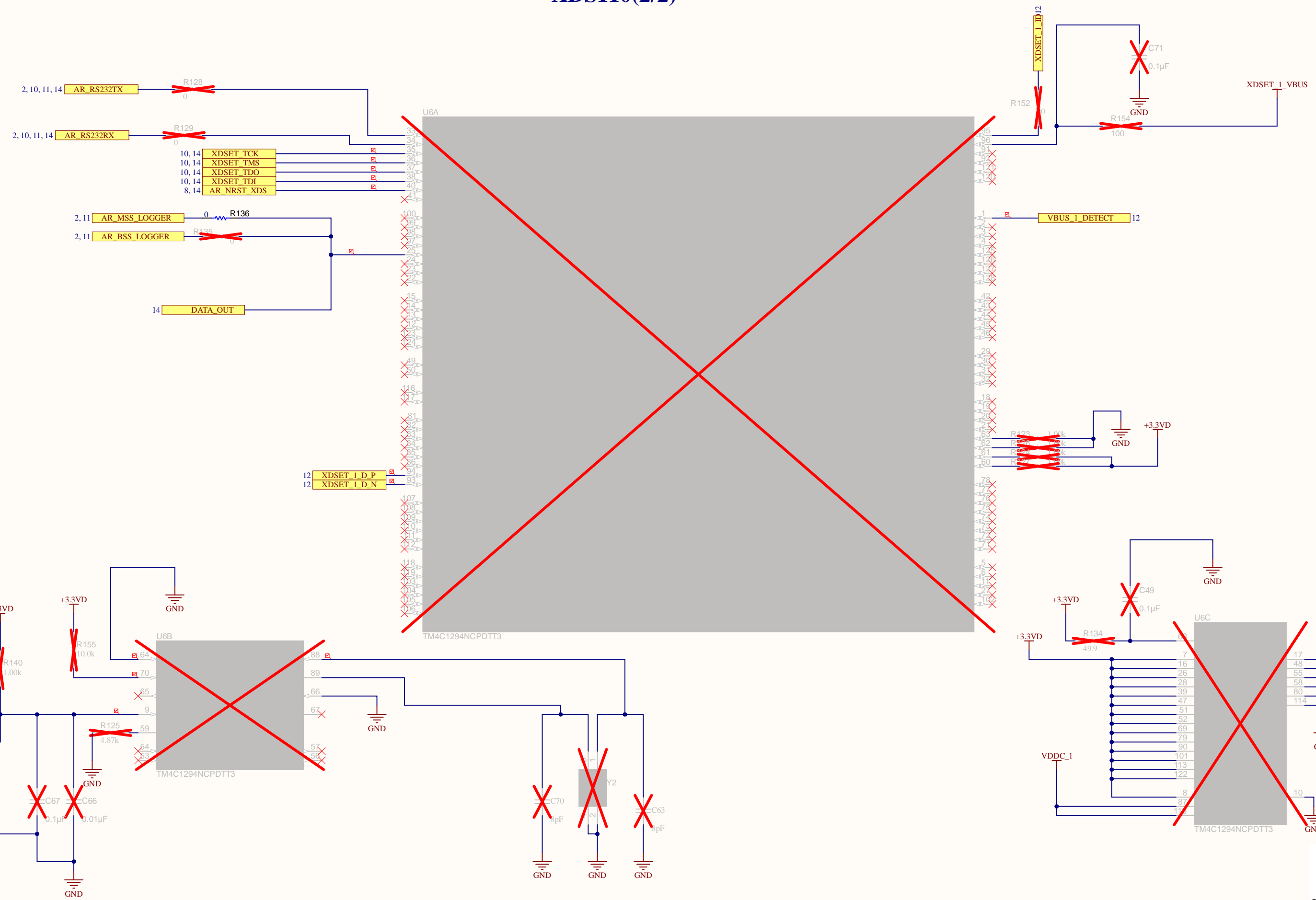
Title: LPConnector	Project Name: RCO_AWR1843.PrjPeb
Designed for: Not shown in title block	
Desiner: Not shown in title block	Approved by: Not shown in title block
Revision: Use project parameters of 16	Date: 30/06/2024
File: RCO_AWR1843_LPConnector.SchDoc	

XDS110(1/2)



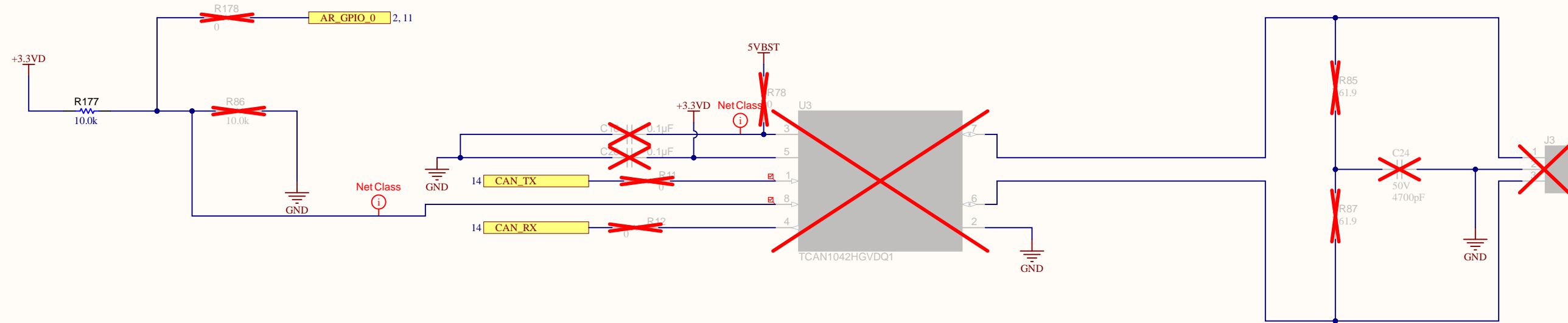
Title: XDS110 Interface_1A	Project Name: RCO_AWR1843.PrjPcb
Designed for: Not shown in title block	
Desiner: Not shown in title block	Approved by: Not shown in title block
Revision: Use project parameters of 16	Date: 30/06/2024
File: PROC051D_XDS110 Interface_1A.SchDoc	

XDS110(2/2)

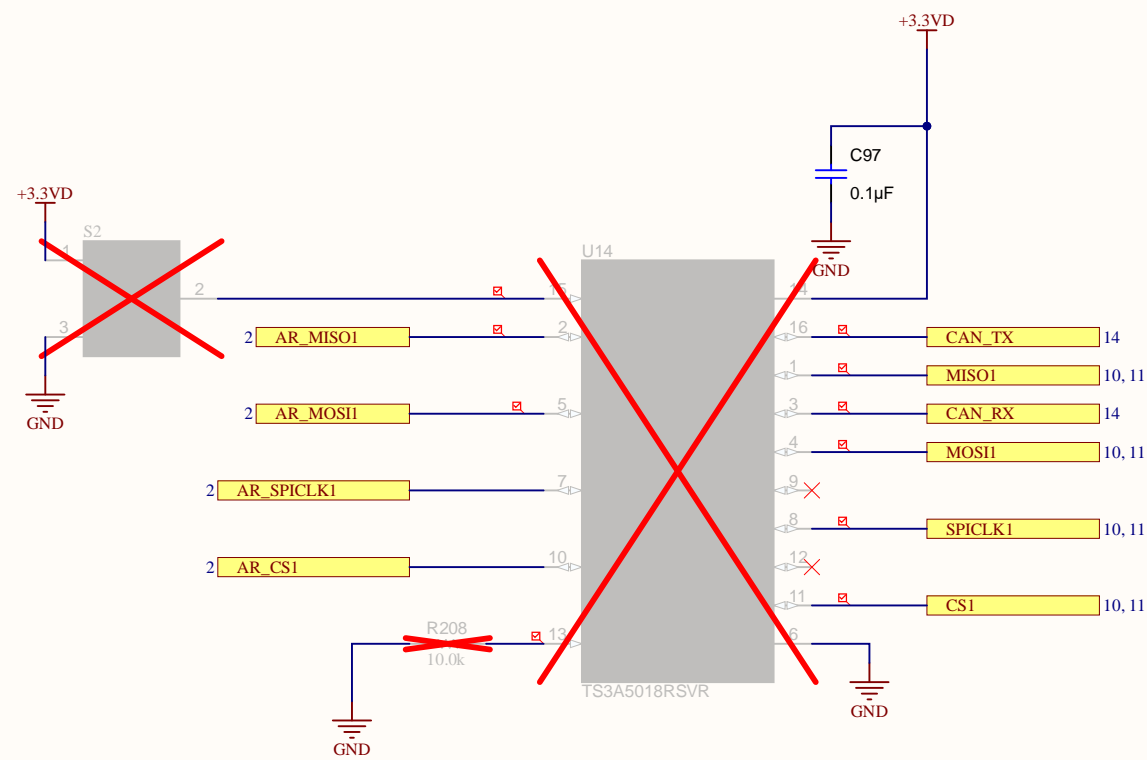


Title: XDS110 Interface_IB		Project Name: RCO_AWR1843.PrjPcb	
Designed for: Not shown in title block			
Desiner: Not shown in title block		Approved by: Not shown in title block	
Revision: Use project parameters of 16		Date: 30/06/2024	
File: PROC051D_XDS110 Interface_IB.SchDoc			

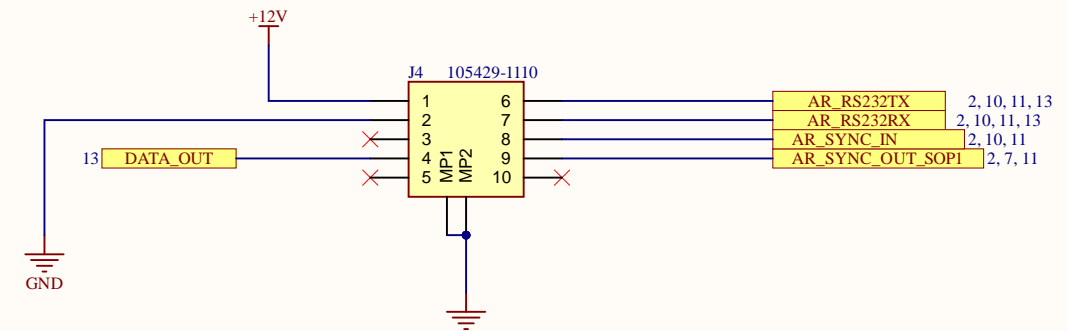
CAN INTERFACE



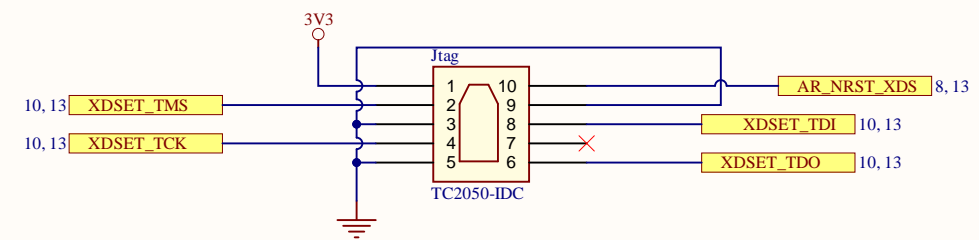
MUX BETWEEN SPI AND CAN INTERFACE



CONNECTOR TO MAIN BOARD



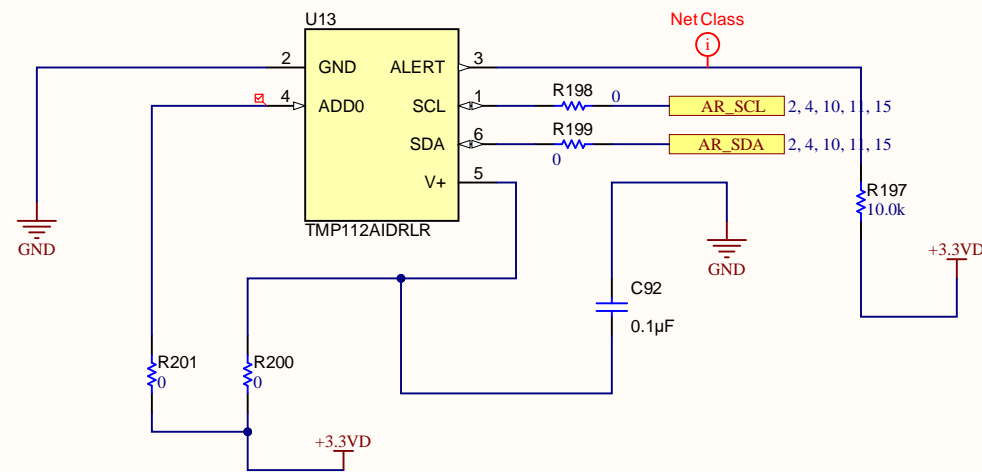
PROGRAMMER



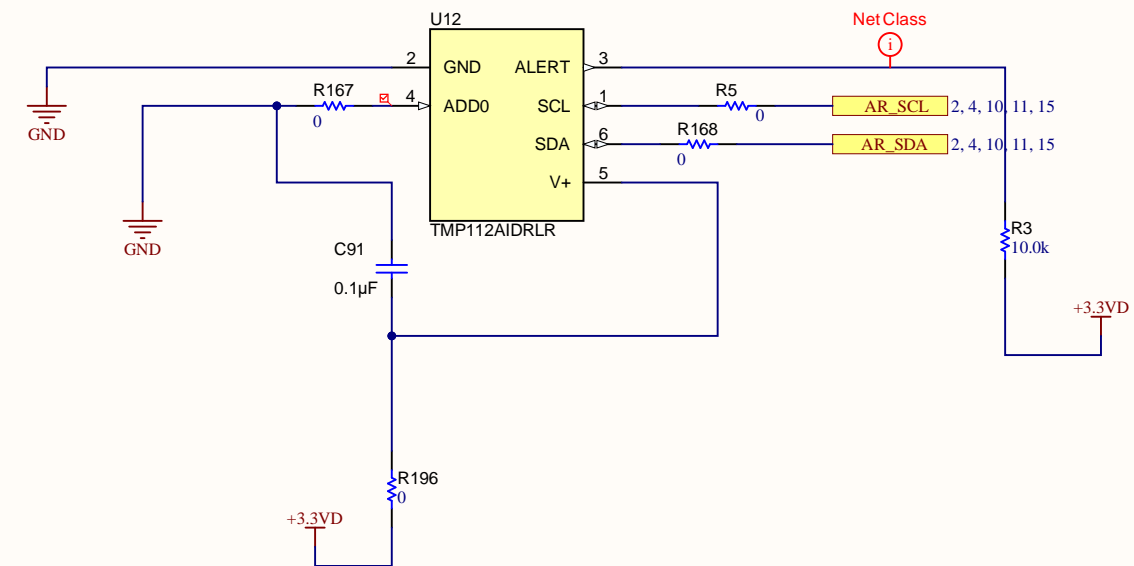
Title: CAN Interface	Project Name: RCO_AWR1843.PrjPeb
Designed for: Not shown in title block	
Desiner: Not shown in title block	Approved by: Not shown in title block
Revision: Use project parameters of 16	Date: 30/06/2024
File: RCO_AWR1843_Interface.SchDoc	

ONBOARD TEMP SENSORS

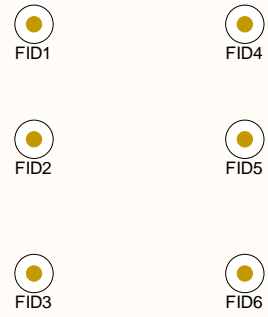
**DEFAULT I2C ADDRESS 0X49
AND MMWAVE DEVICE
TEMP SENSOR AWAY FROM PMIC**



**DEFAULT I2C ADDRESS 0X48
TEMP SENSOR CLOSE TO PMIC**



Title: Tempsensor	Project Name: RCO_AWR1843.PrjPcb
Designed for: Not shown in title block	
Desiner: Not shown in title block	Approved by: Not shown in title block
Revision: Use project parameters of 16	Date: 30/06/2024
File: RCO_AWR1843_Tempensor.SchDoc	



PCB
LOGO
ESD Susceptible

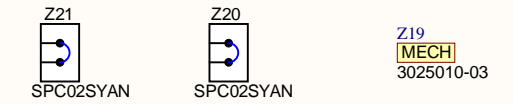
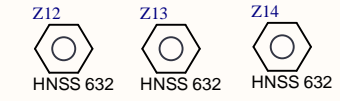
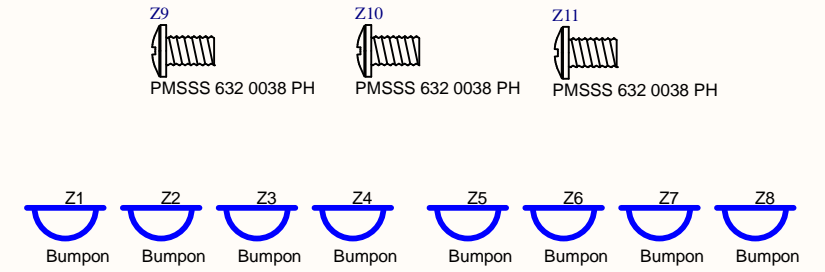
PCB
LOGO
FCC disclaimer

Works With TI LaunchPad Logo
PCB
LOGO
Works With TI LaunchPad Logo

Logo4
PCB
LOGO
WEEE logo



LBL1
PCB Label
Label



PCB Number:
PCB Rev:

Variant/Label Table	
Variant	Label Text
001	AWR1843BOOST
002	IWR1843BOOST

ZZ1
Label Assembly Note
This Assembly Note is for PCB labels only

ZZ2
Assembly Note
These assemblies are ESD sensitive, ESD precautions shall be observed.

ZZ3
Assembly Note
These assemblies must be clean and free from flux and all contaminants. Use of no clean flux is not acceptable.

ZZ4
Assembly Note
These assemblies must comply with workmanship standards IPC-A-610 Class 2, unless otherwise specified.

ZZ5
Assembly Note
Micro USB cable, Brackets, Screws, Nuts, Jumpers and Bump on need to be placed in a plastic bag



Title: Hardware	Project Name: RCO_AWR1843.PrjPcb
Designed for: Not shown in title block	
Desiner : Not shown in title block	Approved by: Not shown in title block
Revision: Use project parameters of 16	Date: 30/06/2024
File: RCO_AWR1843_Hardware.SchDoc	