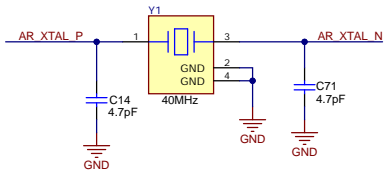
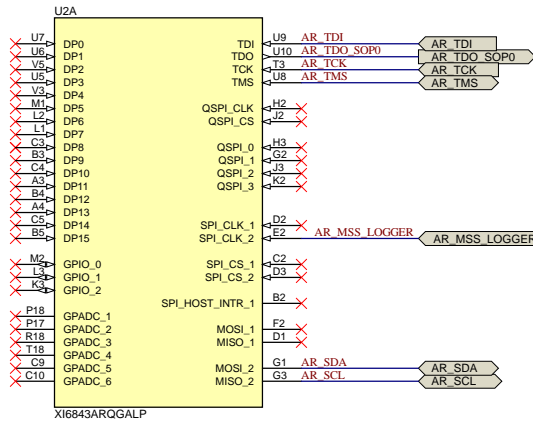


40MHz CRYSTAL

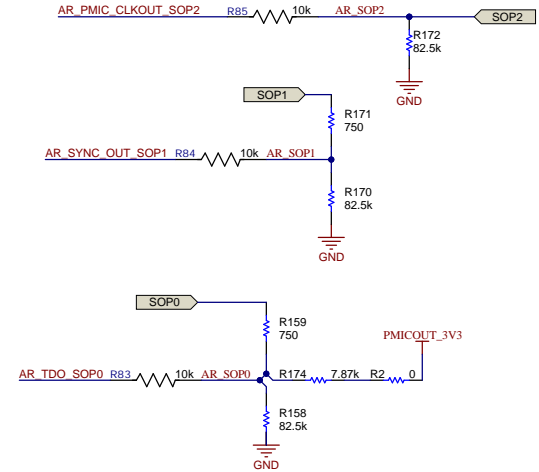


AOP IO (1/2)

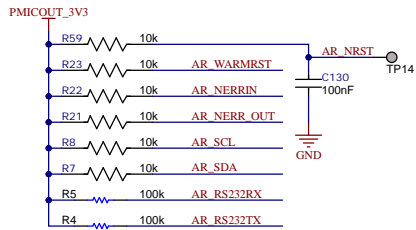


SOP OPTIONS

SOP_MODE2 - '011' - DEV/DEBUG
 SOP_MODE4 - '001' - FUNCTIONAL MODE
 SOP_MODE5 - '101' - FLASH MODE

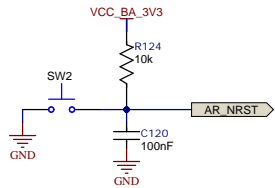


MANDATORY PULL UPS/ PULL DOWNS

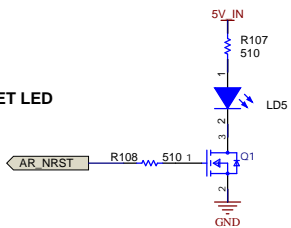


AOP RESET

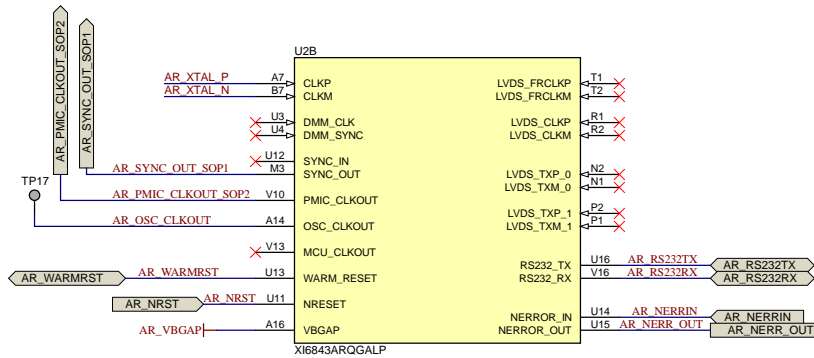
RESET SWITCH



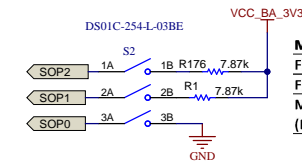
RESET LED



AOP IO (2/2)

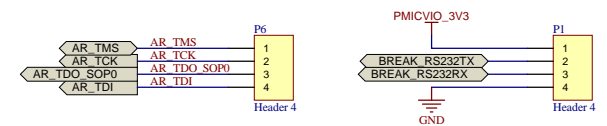


SOP CONFIGURATION



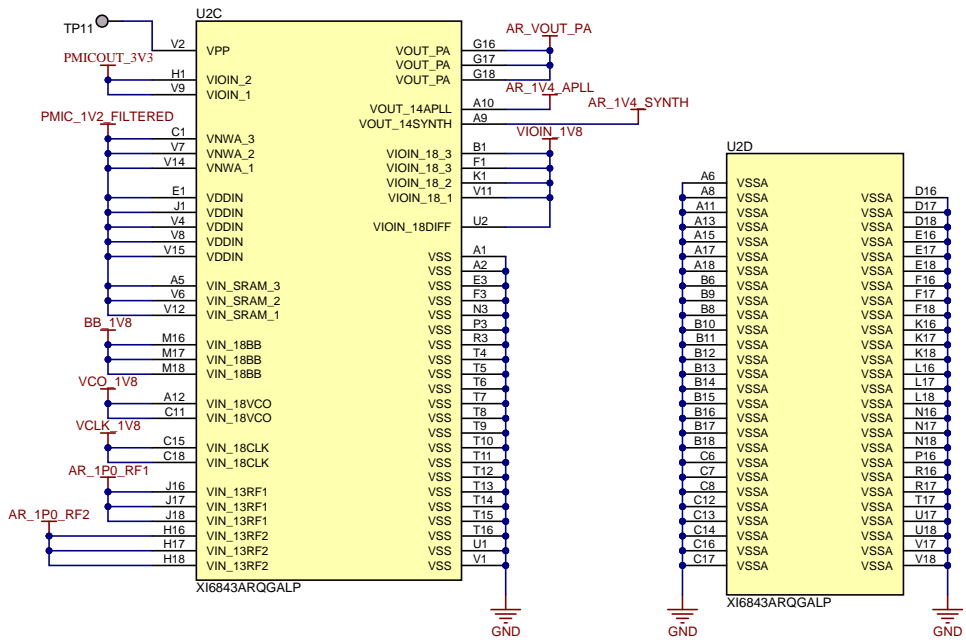
Mode	SOP0 (S1.3)	SOP1 (S1.4)	SOP2 (S3)
Functional Mode	OFF	OFF	OFF
Flash Mode	OFF	OFF	ON
MMWAVEICEBOOST mode (DCA1000, JTAG, and so forth)	OFF	ON	OFF

FIRMWARE

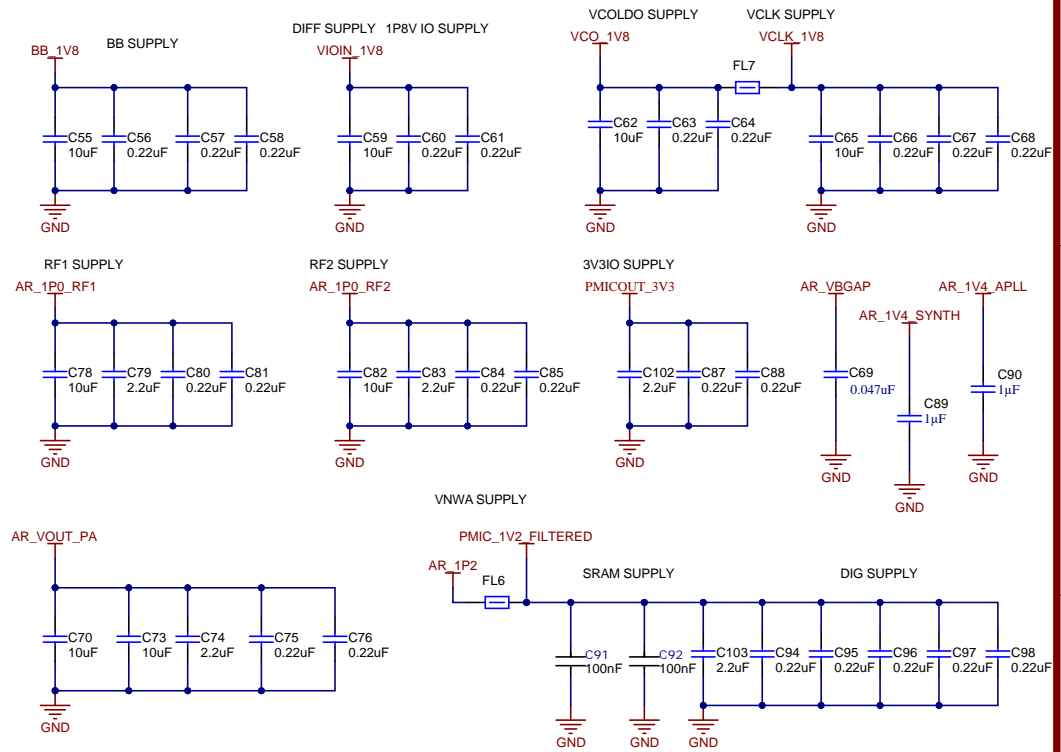


Size	Number	Revision
B	4-27-2024	Sheet of
Date:	4-27-2024	Drawn By: Kapil Kumar
File:	E:\Technical\AOP_IO.SchDoc	

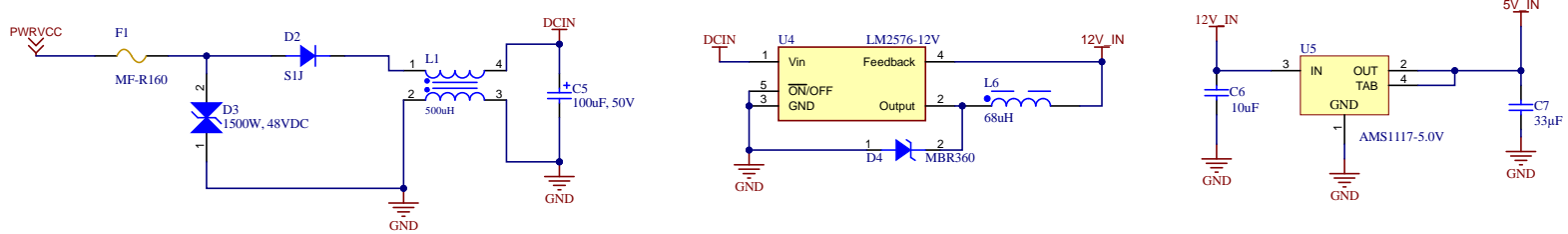
AOP POWER



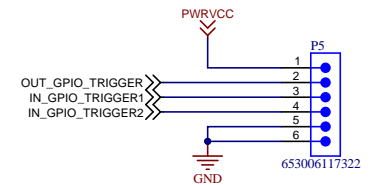
DECOUPLING CAPS



DC STEP DOWN (40V -> 12V -> 5V)

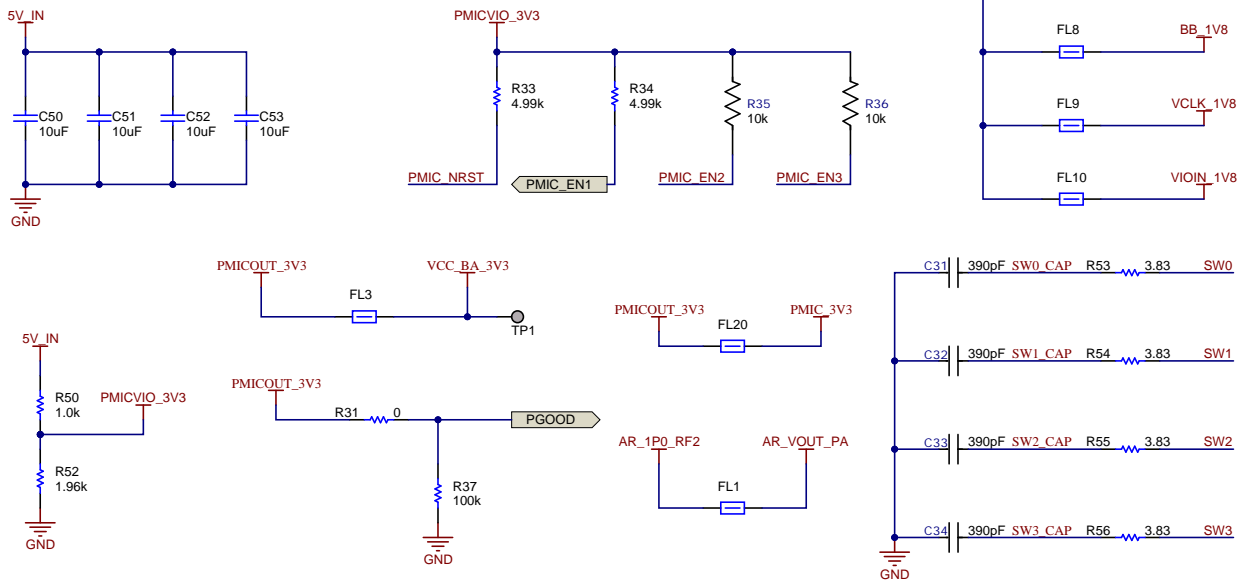
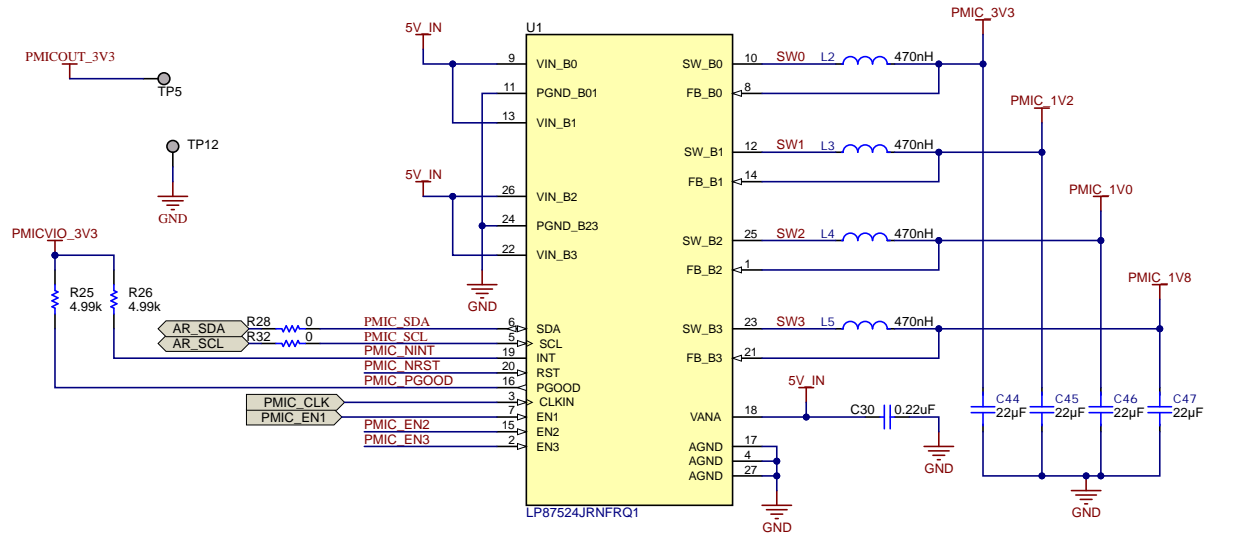


External Connector

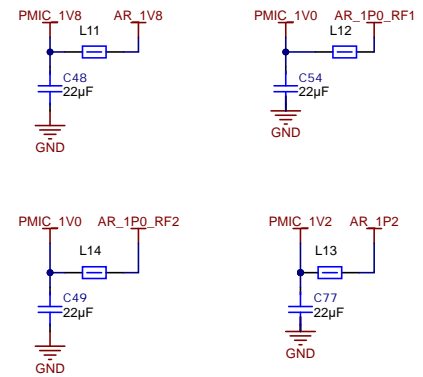


Size	Number	Revision
B		
Date:	4-27-2024	Sheet of
File:	E:\Technical\...\AOP_PWR.SchDoc	Drawn by

PMIC (3.3V, 1.2V, 1.0V, 1.8V OUTPUTS)

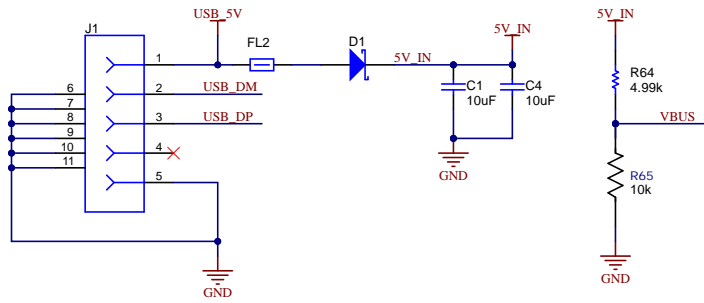


LDO BYPASS

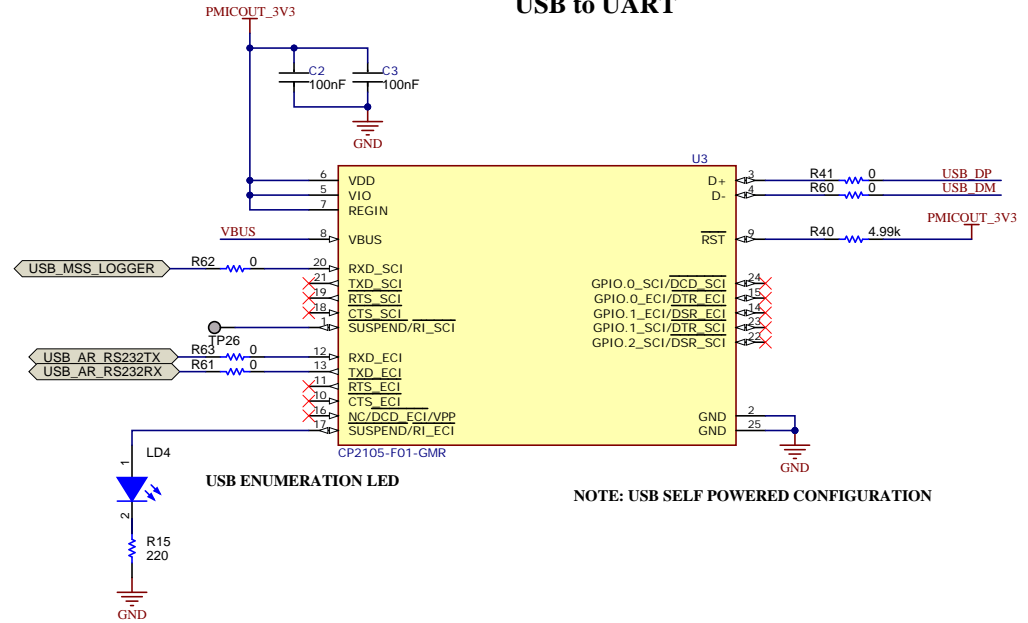


Title		
Size	Number	Revision
B		
Date:	4-27-2024	Sheet of
File:	E:\Technical\...\PMIC_SchDoc	Drawn By:

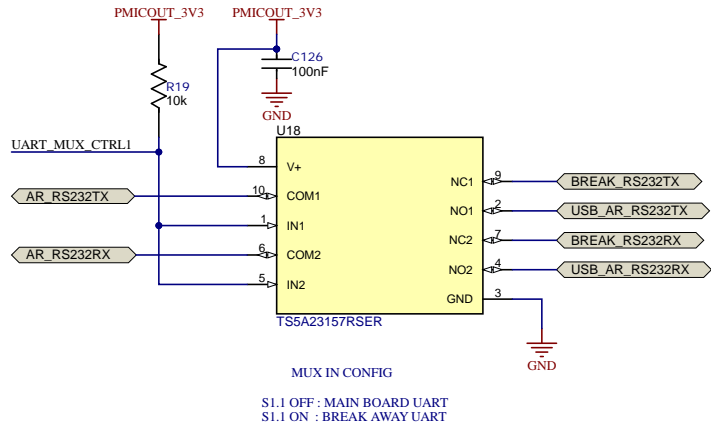
USB CONNECTOR



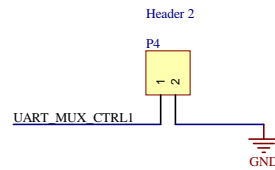
USB to UART



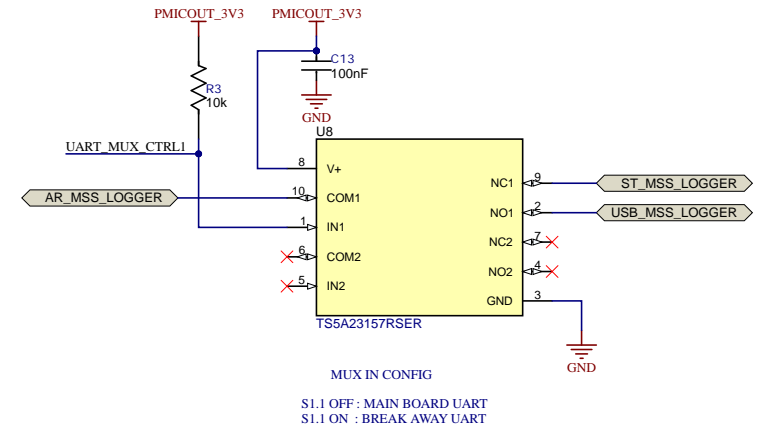
CONFIG UART SELECTION



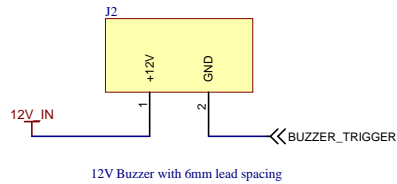
MUX CONTROL



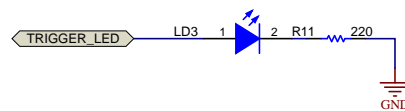
DATAPORT SELECTION



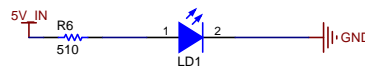
BUZZER



TRIGGER LED

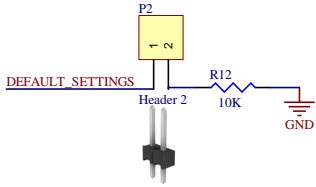


5V LED INDICATION

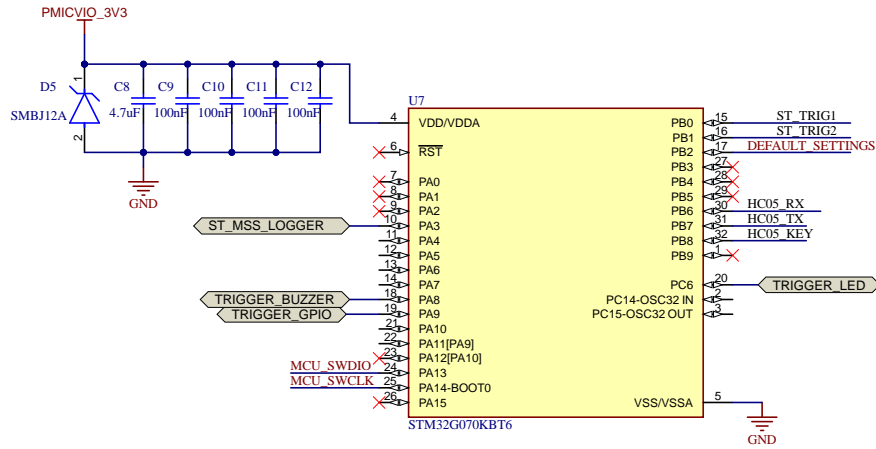


Title		
Size	Number	Revision
B		
Date:	4-27-2024	Sheet of
File:	E:\Technical\FLASH_USB_TO_UART.S	Drawn By:

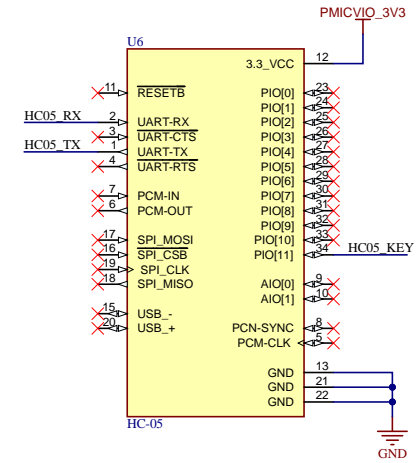
40MHz CRYSTAL



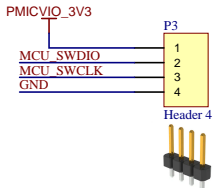
MCU Peripherals



HC05 Bluetooth Module



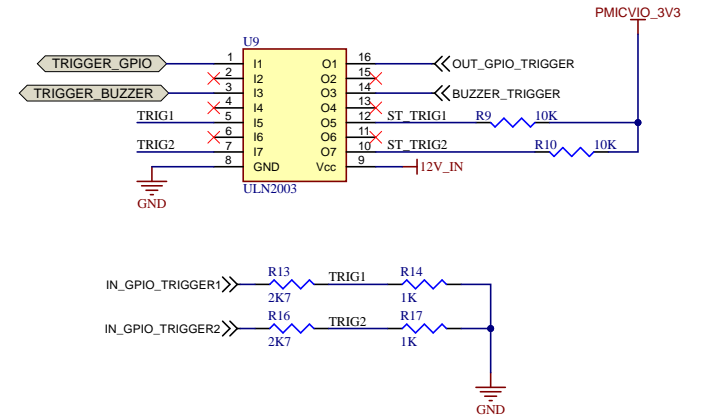
MCU Debug / Program



Fiducials



GPIO TRIGGER (3.3V --> 12V)



Title		
Size	Number	Revision
B		
Date:	4-27-2024	Sheet of
File:	E:\Technical\STM32G070KBT6.SchDoc	Drawn By: