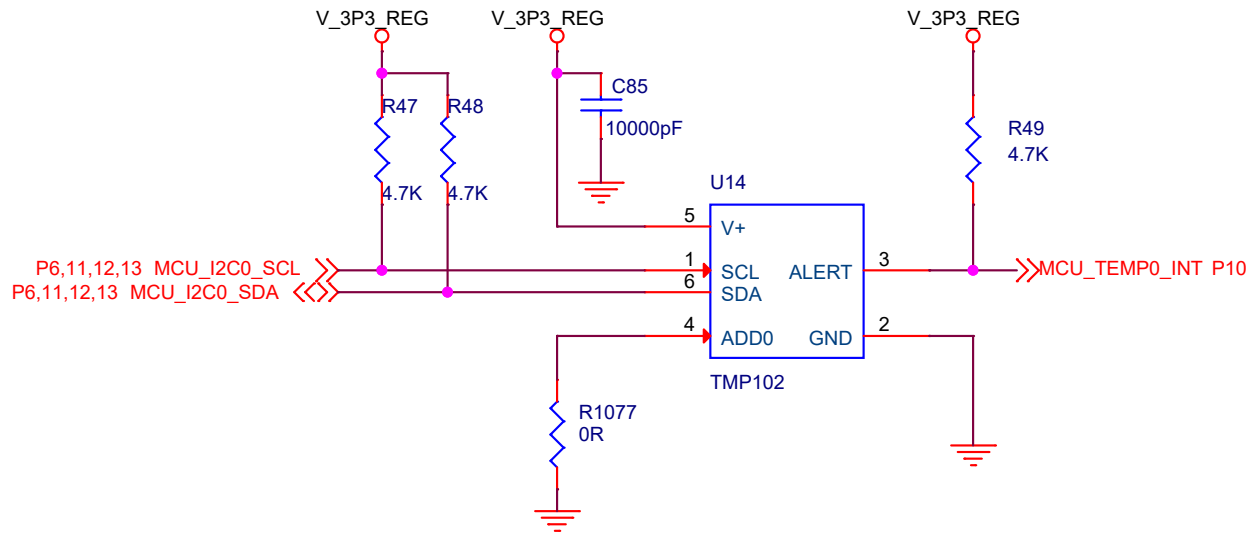


TEMP SENSOR

NOTE :
 PART NUMBER : TMP102AQDRLRQ1
 V_3P3_REG : 3.3V



NOTE : I2C ADDRESS IS 1010000 R/W#
 FOR READ R=1
 FOR WRITE W#=0

Title		
TEMPERATURE SENSOR		
Size	Document Number	Rev
A	<Doc>	<RevCode>
Date:	Monday, December 28, 2020	Sheet 5 of 19