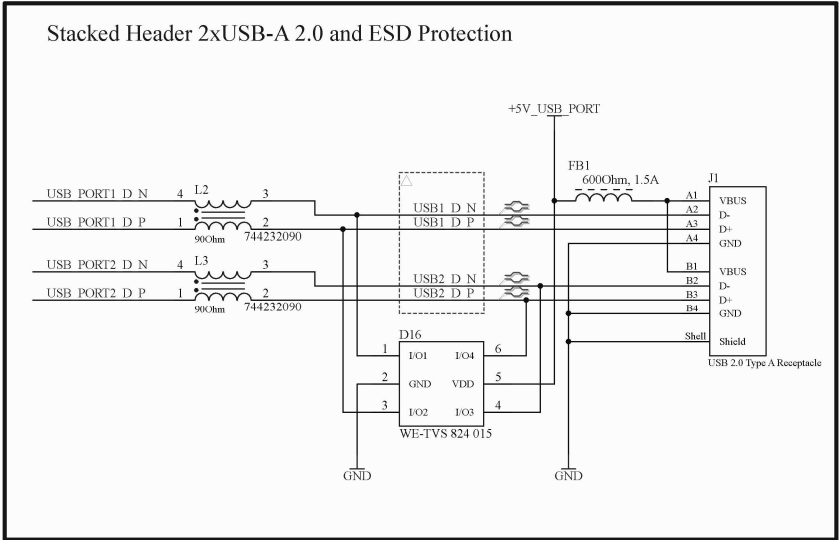
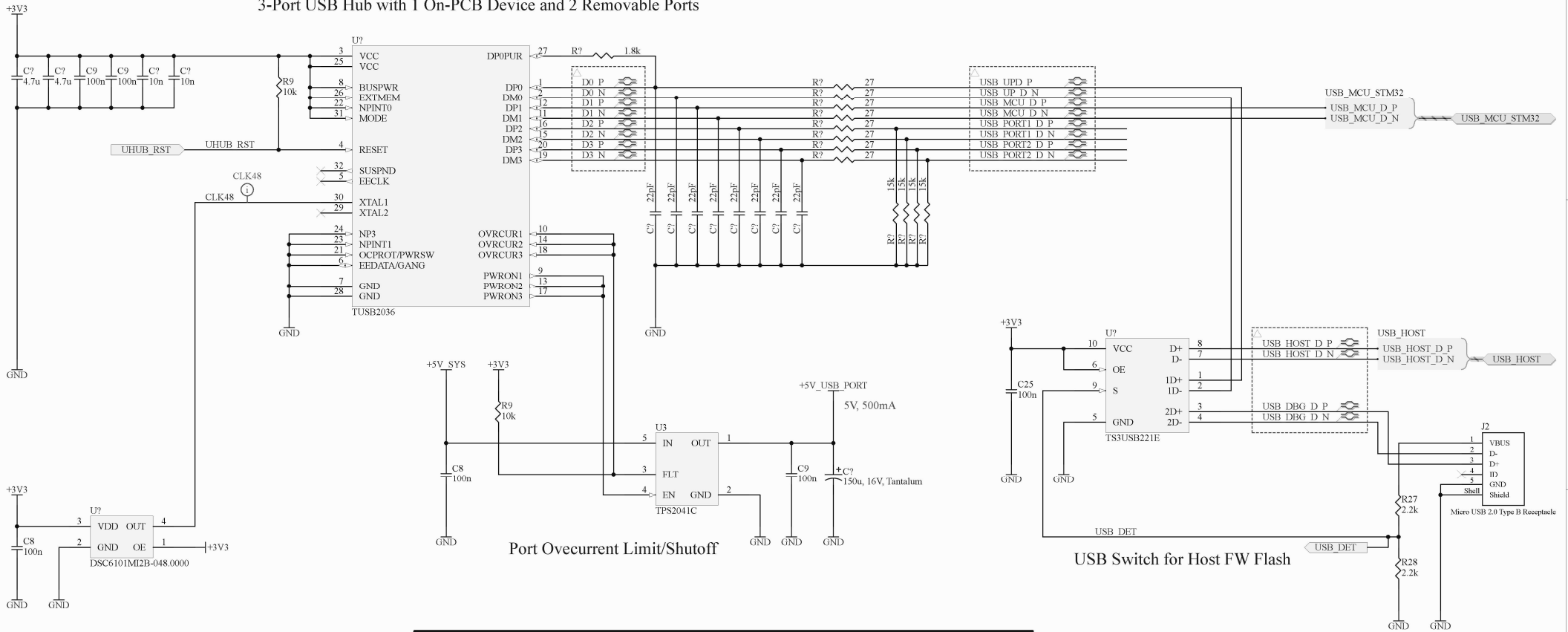


3-Port USB Hub with 1 On-PCB Device and 2 Removable Ports



Title		
Size	Number	Revision
A3		
Date:	10.01.2022	Sheet of
File:	D:\Altium\...05A_USB_Downstream_Sch	Down By: