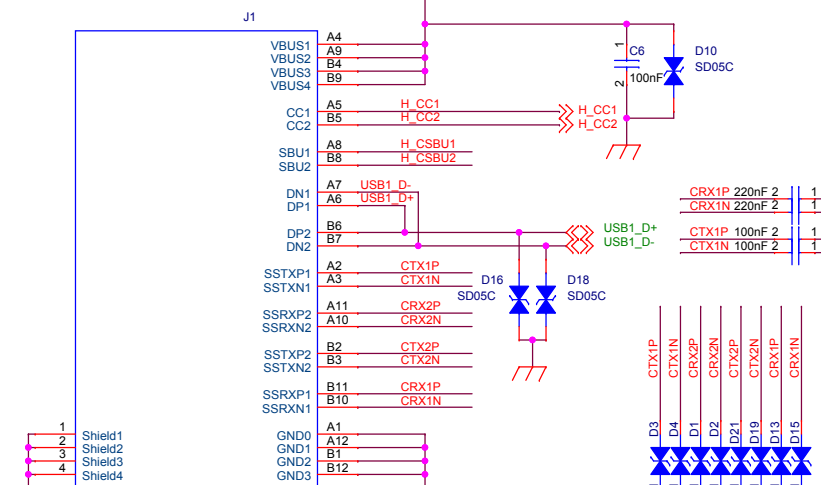
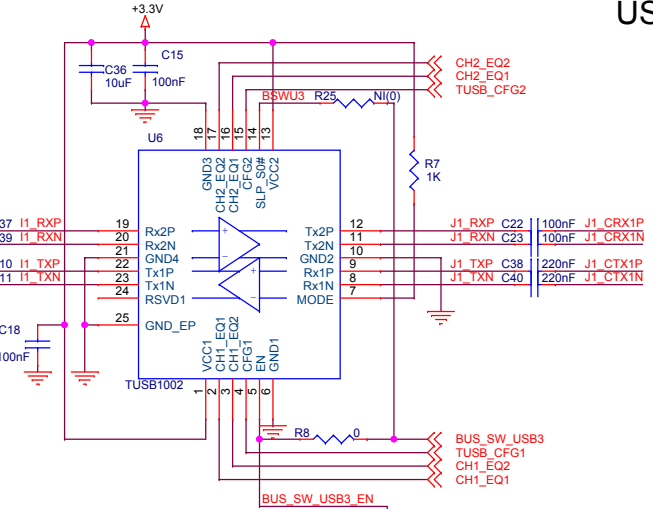


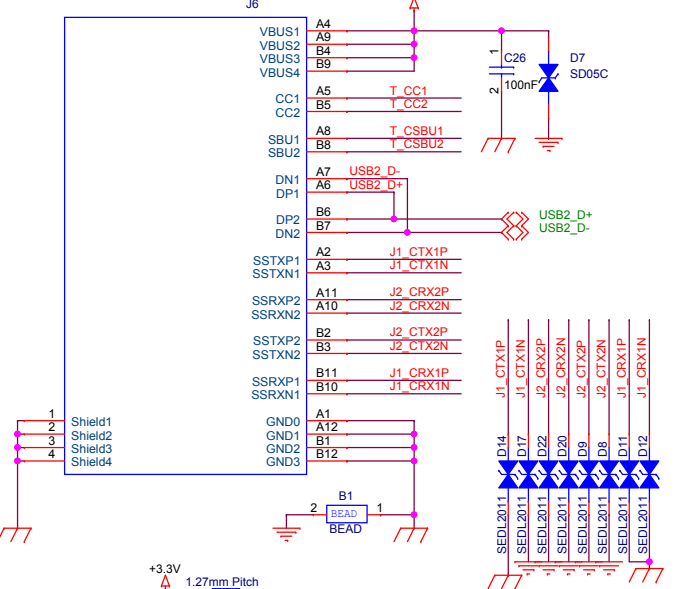
USB3.1 Type-C Connector



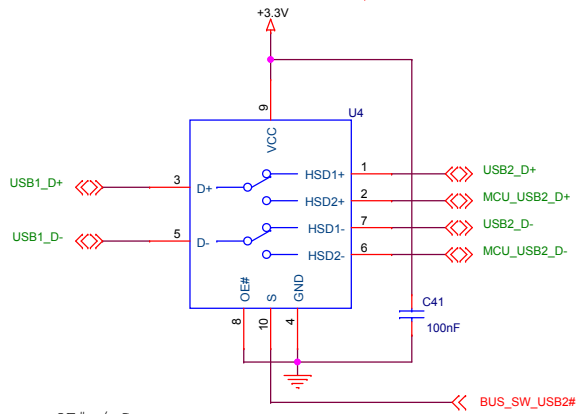
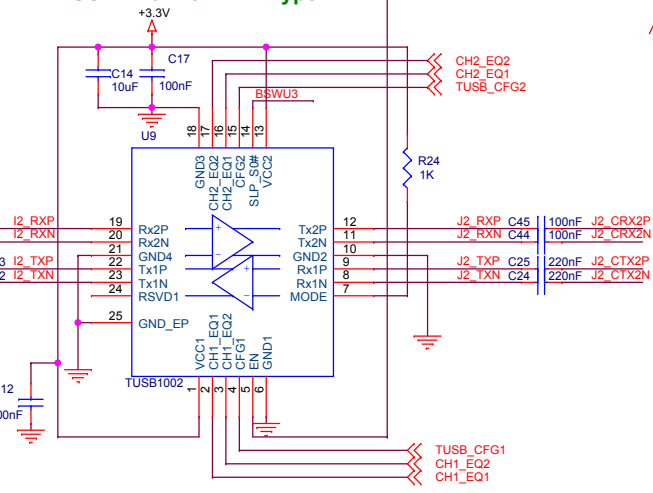
USB Channel #1 in Type-C



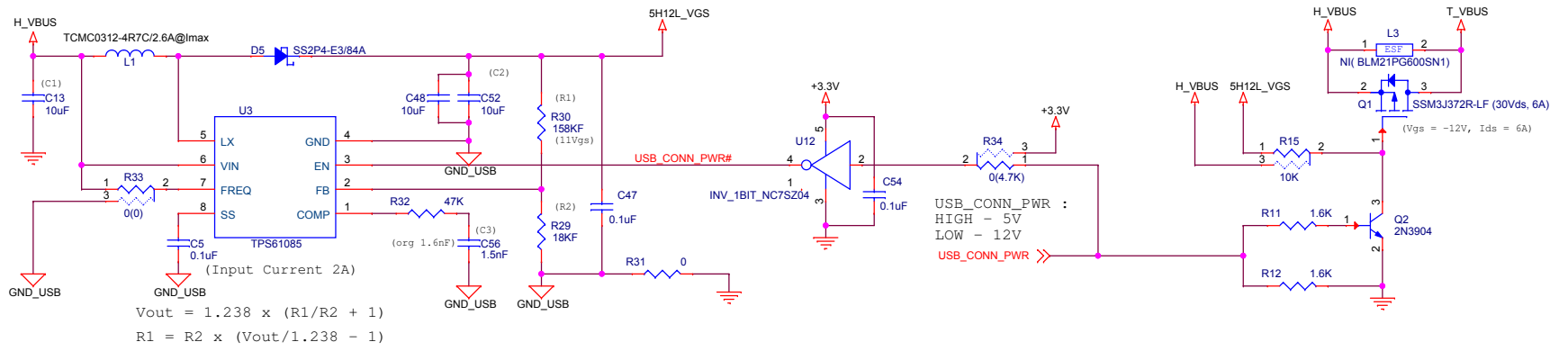
USB3.1 Type-C Connector



USB Channel #2 in Type-C



OE# / S
 1 / X : HSD1+ ~ HSD1- --> OFF, HSD2+ ~ HSD2- --> OFF
 0 / 0 : HSD1+ ~ HSD1- --> ON, HSD2+ ~ HSD2- --> OFF
 0 / 1 : HSD1+ ~ HSD1- --> OFF, HSD2+ ~ HSD2- --> ON



$$V_{out} = 1.238 \times (R1/R2 + 1)$$

$$R1 = R2 \times (V_{out}/1.238 - 1)$$