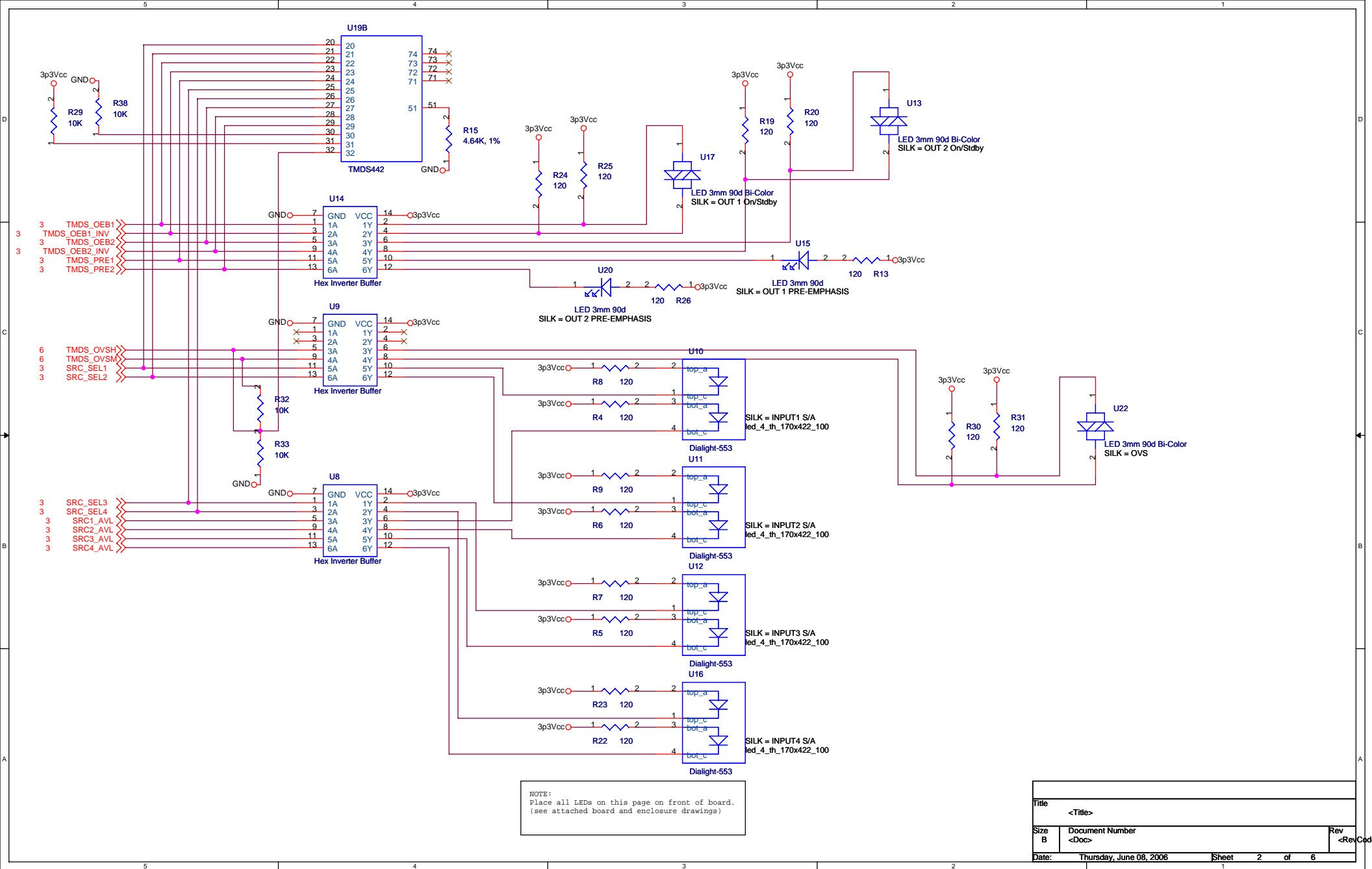
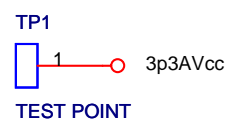
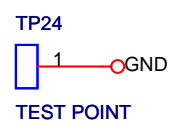
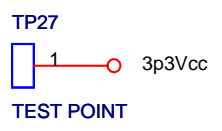
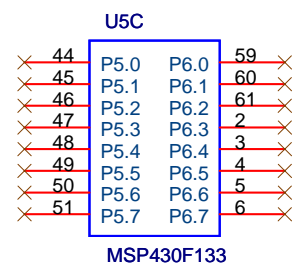
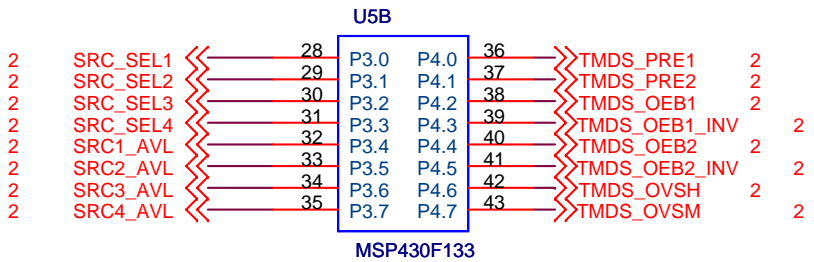


Title		<Title>
Size	Document Number	Rev
B	<Doc>	<RevCod>
Date:	Thursday, June 08, 2006	Sheet 1 of 6



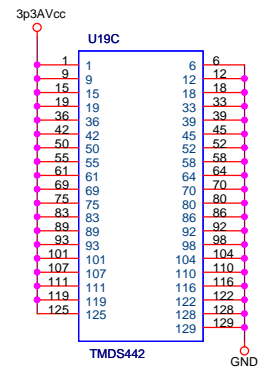
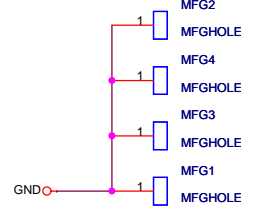
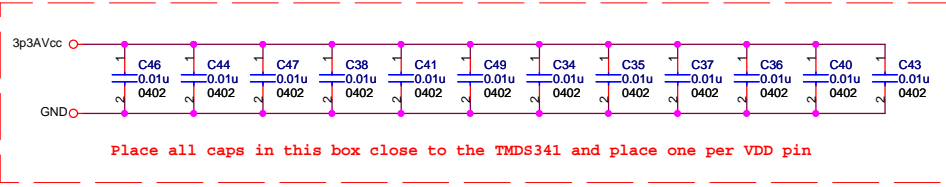
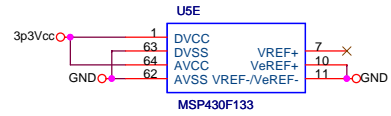
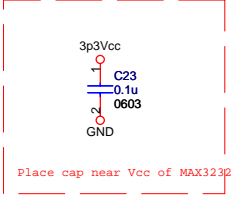
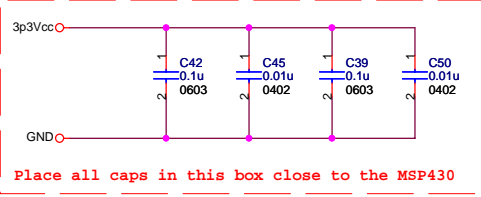
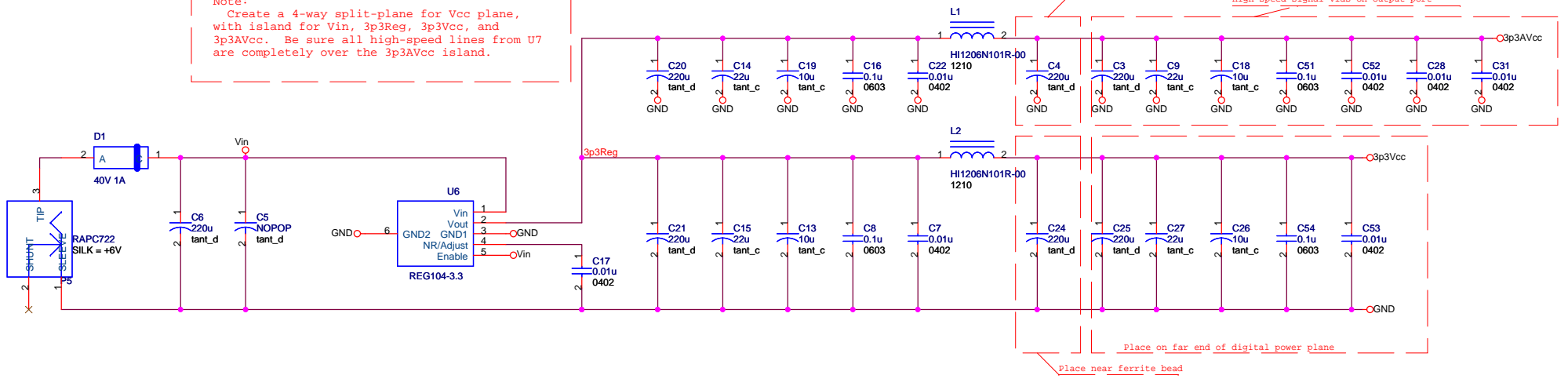
NOTE:
Place all LEDs on this page on front of board.
(see attached board and enclosure drawings)

Title	<Title>	
Size	Document Number	Rev
B	<Doc>	<RevCod
Date:	Thursday, June 08, 2006	Sheet 2 of 6



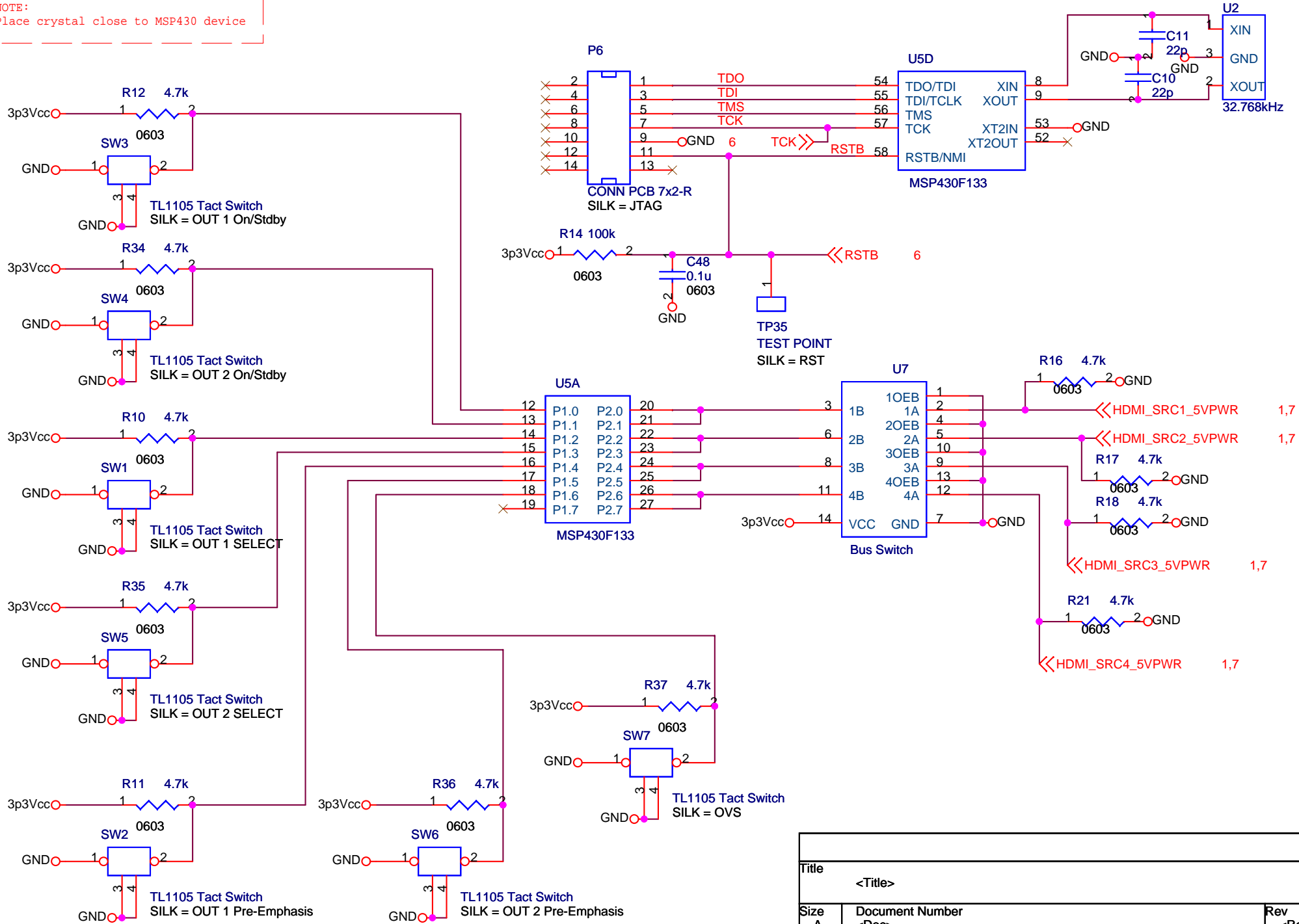
Title		
<Title>		
Size	Document Number	Rev
A	<Doc>	<Rev Co
Date:	Thursday, June 08, 2006	Sheet 3 of 6

Note:
 Create a 4-way split-plane for Vcc, with island for Vin, 3p3Reg, 3p3Vcc, and 3p3AVcc. Be sure all high-speed lines from U7 are completely over the 3p3AVcc island.

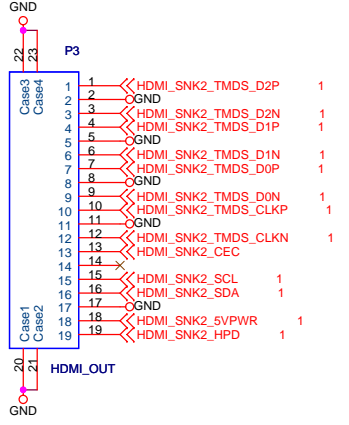
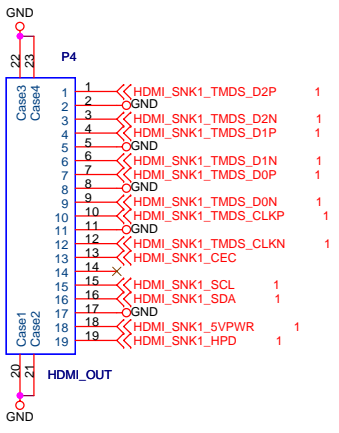
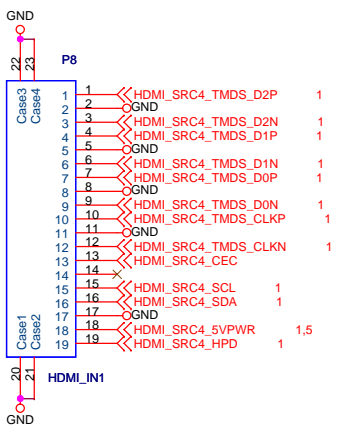
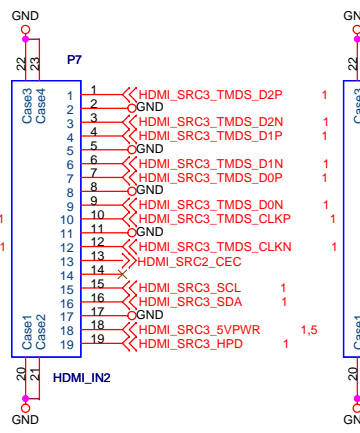
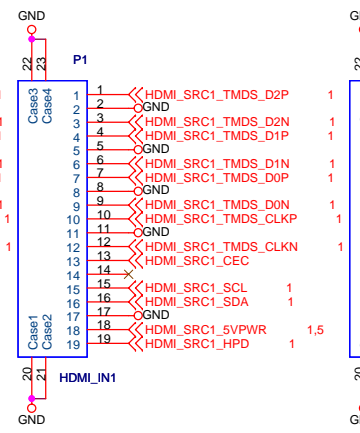
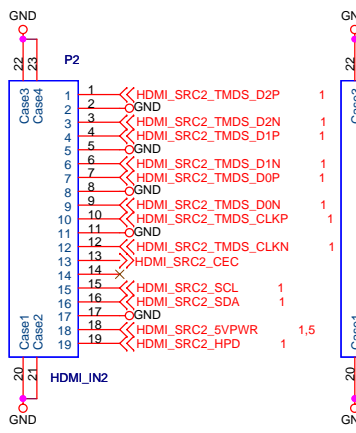


Title	<Title>	
Size B	Document Number <Doc>	Rev <RevCod>
Date:	Thursday, June 08, 2006	Sheet 4 of 6

NOTE:
Place crystal close to MSP430 device



Title		
<Title>		
Size	Document Number	
A	<Doc>	
Date:	Thursday, June 08, 2006	Sheet 5 of 6
		Rev <Rev Co



Title		<Title>
Size	Document Number	Rev
B	<Doc>	<RevCod
Date:	Thursday, June 08, 2006	Sheet 6 of 6