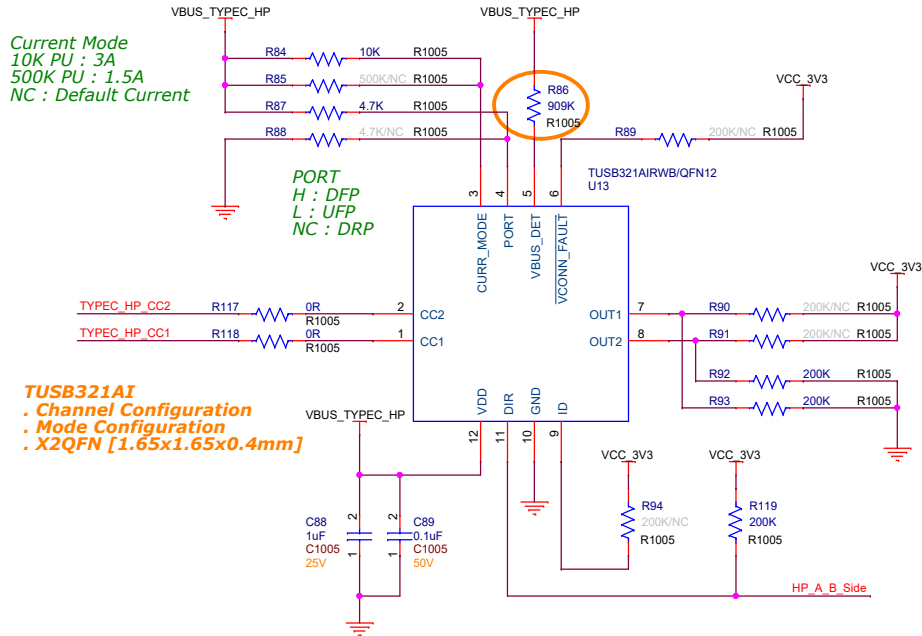
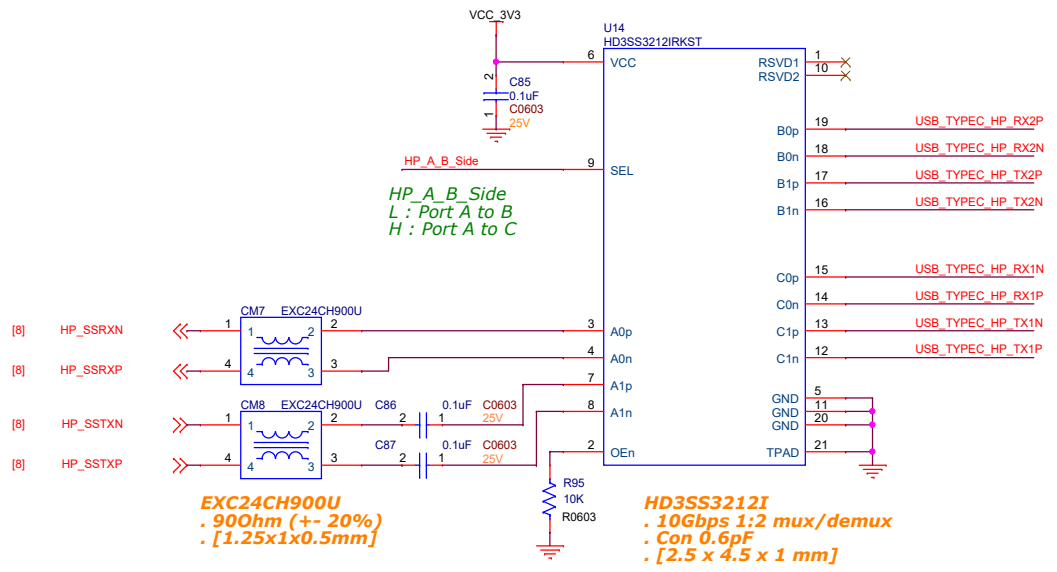


USB_TYPEC-SINK

CC controller



USB 3.0 MUX (Sink)

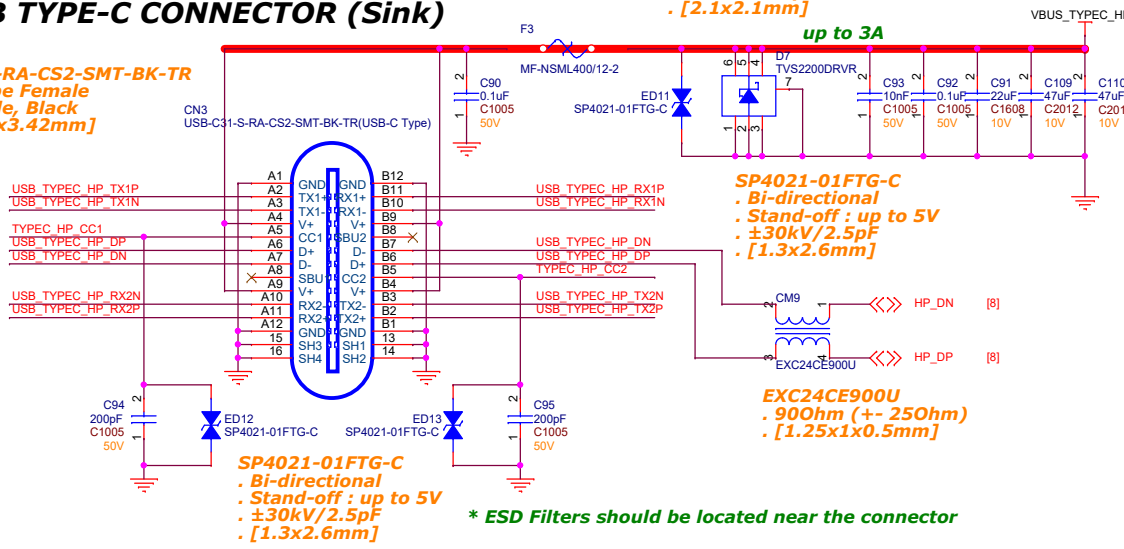


USB TYPE-C CONNECTOR (Sink)

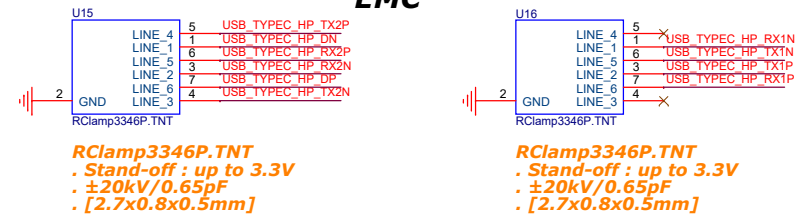
USB-C31-S-RA-CS2-SMT-BK-TR
 . USB-C Type Female
 . Right Angle, Black
 . [9.64x9.1x3.42mm]

MF-NSML400/12-2
 . up to 12V, 4A @23°C

TVS2200DRVR
 . Surge Protection
 . Stand-off : up to 22V
 . ±30kV/105pF
 . [2.1x2.1mm]

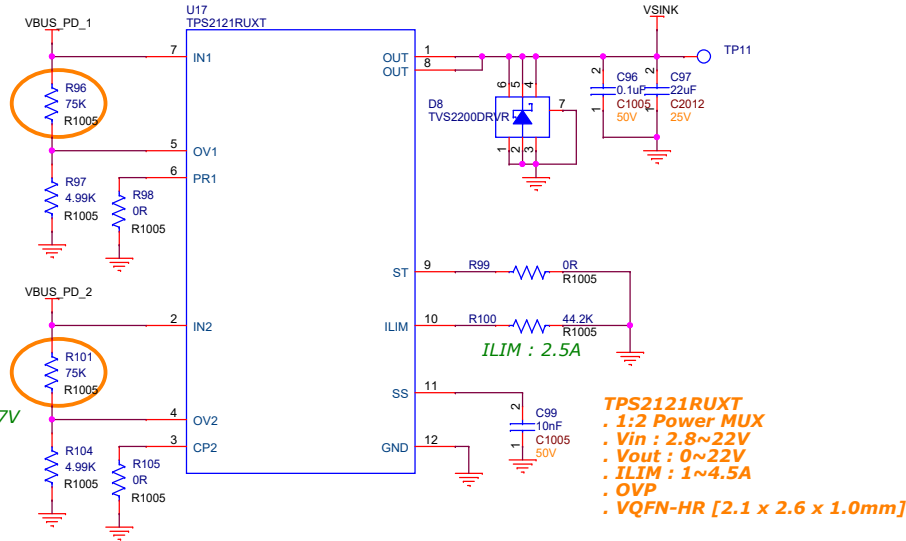


EMC



Power & MUX

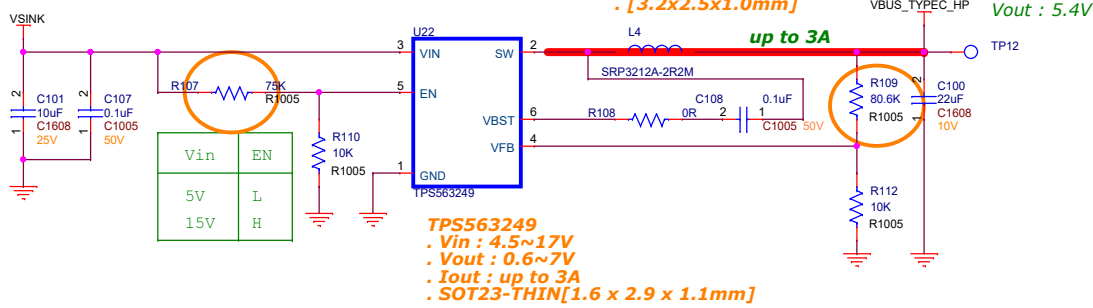
Power MUX



OV1 & OV2 Voltage : 17V

5V DC-DC CVT

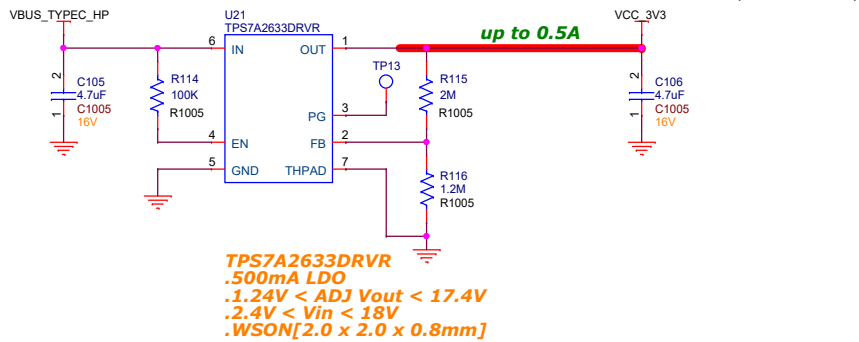
SRP3212A-2R2M
 . 2.2uH/73mΩ/4.0A
 . [3.2x2.5x1.0mm]



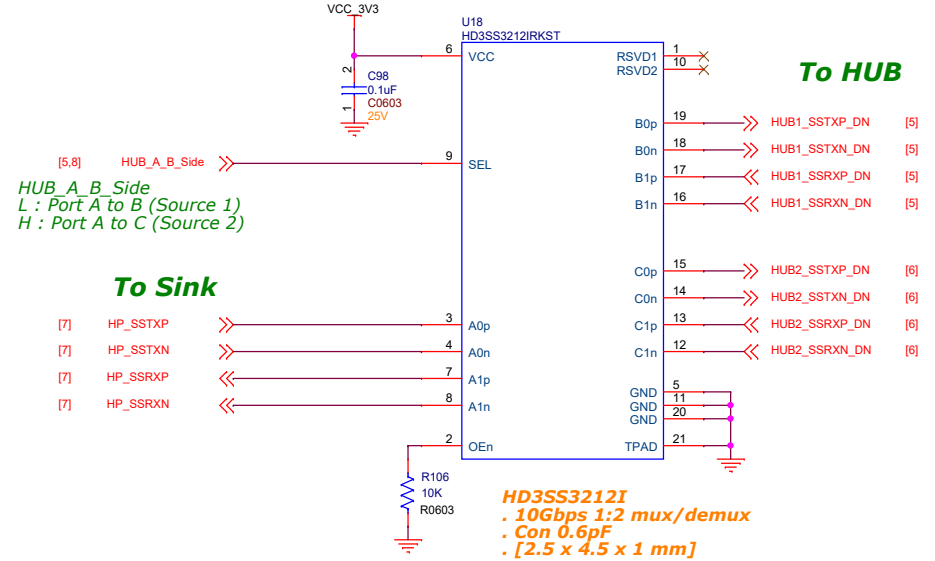
Vout = 5.4V

VCC_3.3V

$$V_{out} = 1.24 \times (1 + R71 / R72)$$



USB 3.0 MUX (HUB Select)



USB 2.0 MUX (HUB Select)

