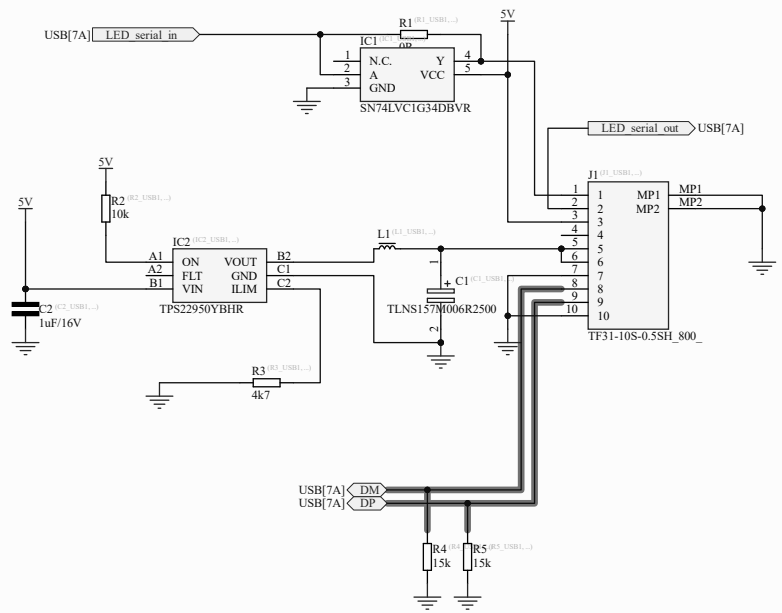


Title *			*
Size: A3	Part: *	Revision: *	*
Date: 12/6/2021	Designer: *	Sheet 3 of 5	*
File: C:\Users\Public\Documents\Altium\Charger main\USB.SchDoc			*





Title		
Size	Number	Revision
A3		
Date:	12/06/2021	Sheet of
File:	C:\Users\... \USB interface.SchDoc	Drawn By: