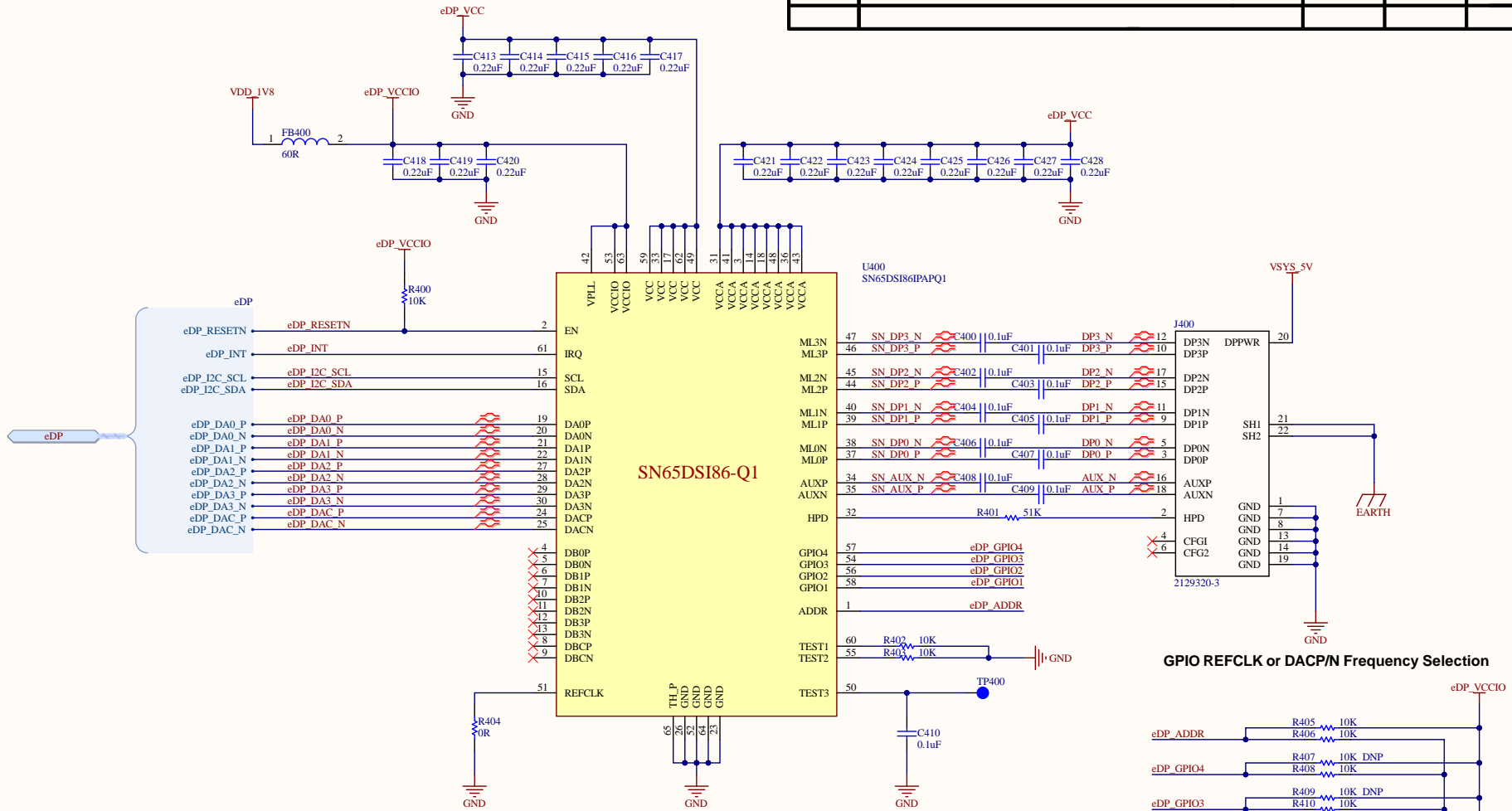
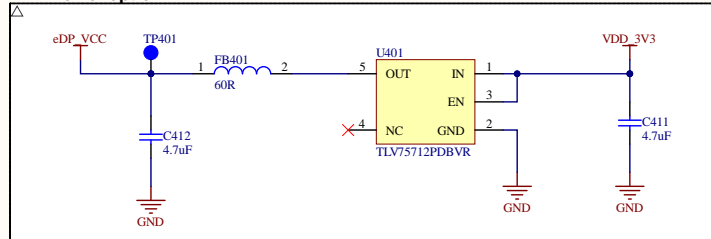


CHANGES HISTORY

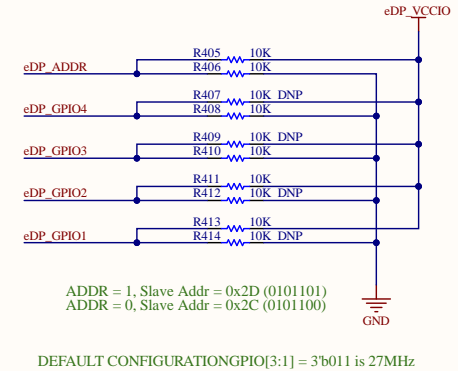
VERSION	DESCRIPTION	DATE	DRAWN BY	DESIGNED BY	CHECKED BY	APPROVED BY
2.0	Initial Release	14/10/2019	EQ. HW	EQ. HW	Hatem ZOUARI	Hatem ZOUARI




1.2V Power option



GPIO REFCLK or DAC/PN Frequency Selection



Project name : MENZU_SENSE.PrjPcb		Sheet name : eDP	
DESIGNED BY : Karim BALI	Customer: Thing Farm		 A Onetech company
DRAWN BY : Karim BALI	Size: A3 Ref.: SENSE_SCH002	Version: 2.0	
CHECKED BY : EQ. HW	Date: 09/12/2020 Time: 11:31:02	Sheet 14 of 27	20, Rue des entrepreneurs, Immeuble HERTZ
APPROVED BY : Hatem ZOUARI	File: D:\PROJECT\MENZU_SENSE\01_CAD\MENZU_SENSE\MENZU_SENSE\05_eDP.SchDoc		