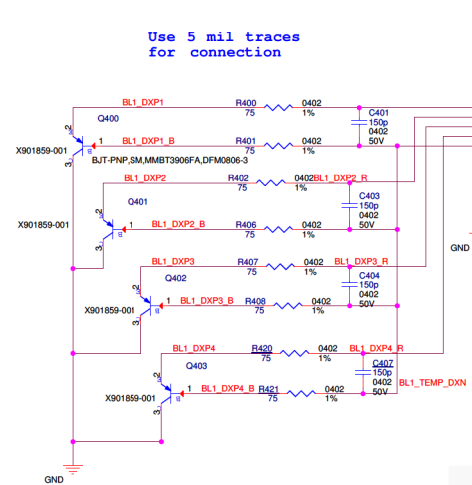
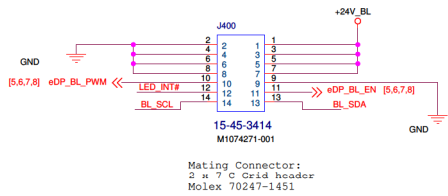


Place U401 somewhere between the PSU connector and the first MP3385 controller group.

Place Q400~Q403, one each near middle of Controller, MOSFET, and Diode, for each of the 4x MP3385A controller group.

decide whether to place the temp sensor outside of I2C MUX

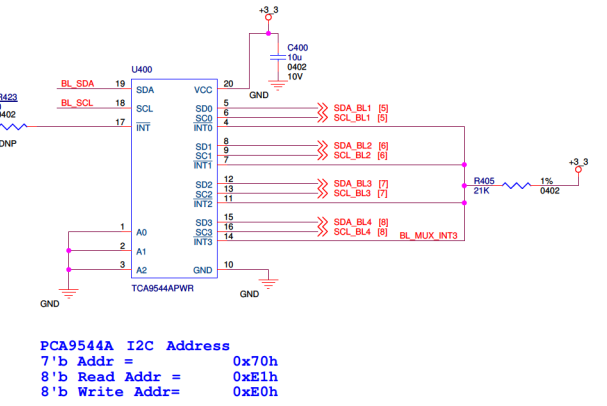
### From Power Supply Board



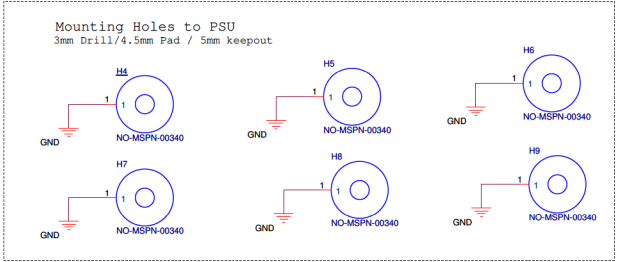
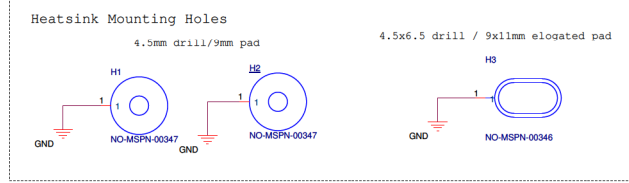
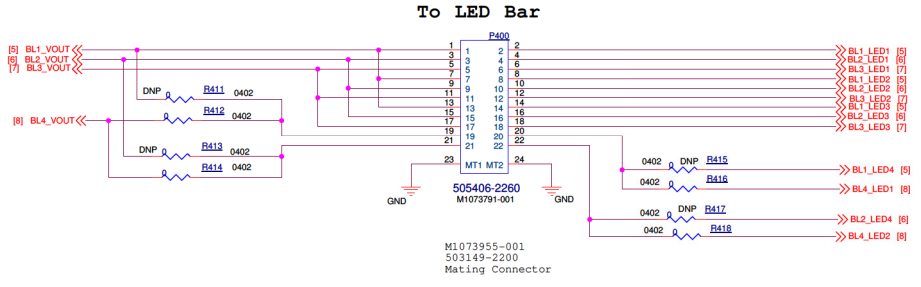
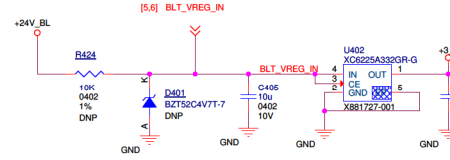
TMP464 I2C Address  
7'ADDR = 100 1000  
7bit = 48h  
8bit\_write = 90h  
8bit\_read = 91h

Table 2. TMP464 Slave Address Options

ADD PIN CONNECTION	BIN/RYT	HEX
GND	1001000	48
V+	1001001	49
SDA	1001010	4A
SCL	1001011	4B



PCA9544A I2C Address  
7'b Addr = 0x70h  
8'b Read Addr = 0xE1h  
8'b Write Addr = 0xE0h



Chip#	LED#	MP3385A Chip #1	MP3385A Chip #2	MP3385A Chip #3	MP3385A Chip #4
1-1					
2-1					
3-1					
1-2					
2-2					
3-2					
1-3					
2-3					
3-3					
1-4					4-1
2-4					4-2
3-4					

DEFAULT to 4x3 Strings of LED