

MASTER COPY
(STAMPED IN RED)

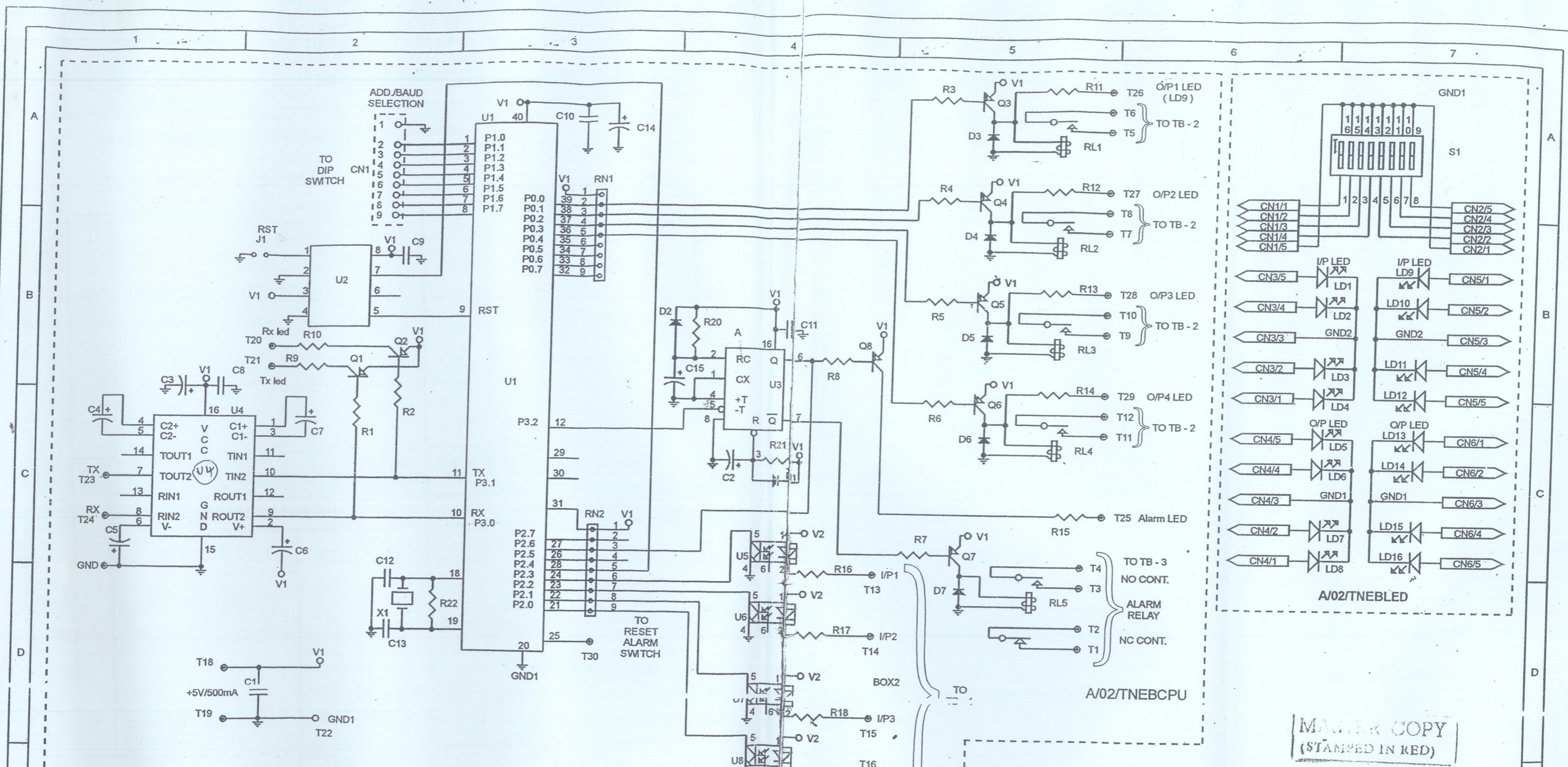
CLIENT DOCUMENT NO. :
 P.O.NO. : 652 / DATED : 18-12-2003
 CLIENT : TAMIL NADU ELECTRICITY BOARD
 TITLE : INTERFACING UNIT (RS232 COMPATIBLE)
 FOR TX & RX OF DATA THROUGH RADIOS
 REMOTE 4 CH INPUT AND 4 CH OUTPUT
 WIRING DIAGRAM

DRAWN BY	CHECKED BY	APPROVED BY	SETO O. A. NO. : 33 - 722
			DATE : 07-11-2003
			UNIT :
			TOLERANCE :
			SCALE :
			SHEET NO. : 1/1
			REV. NO. : 0

DOCUMENT NO. : 96-114-01-06

SETO TEKNOLOG PRIVATE LIMITED.
 406, HILL VIEW INDUSTRIAL ESTATE, MUMBAI - 86.

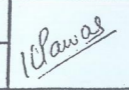
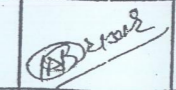
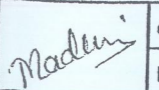
ISSUE NO	REV. No	PURPOSE	DATE	REV. No	DETAILS	APPRD	SR. NO.	TITLE	REF. DOCUMENTS
1	0	FOR CUSTOMER INFORMATION	Madhu				1	G.A.DRAWING	
ISSUES		REVISIONS							



MASTER COPY
(STAMPED IN RED)

CLIENT DOCUMENT NO. :	
P.O.NO. : 652 / DATED : 18 - 12 - 2003	
CLIENT : TAMIL NADU ELECTRICITY BOARD.	
TITLE : INTERFACING UNIT (RS232 COMPATIBLE) FOR TX AND RX OF DATA THROUGH RADIOS CPU & LED CARD SCHEMATIC DIAGRAM	
OUR REF. NO. : 33 - 722	DATE : 07-11-2003
TOLERANCE :	SCALE :
SHEET NO. : 1/1	REV. NO. : 0

ISSUE NO	REV. No	PURPOSE	DATE	REV. No	DETAILS	APPRD	SR. NO.	BILL OF MATERIAL	DOCUMENT NO.	TITLE
1	0	FOR CUSTOMER INFORMATION					1	96 - 114 - 02 - 01	96 - 114 - 02 - 03	SETO TEKNOLOG PRIVATE LIMITED.
ISSUES REVISIONS										




 DRAWN BY: W. Lawas
 CHECKED BY: B. Suresh
 APPROVED BY: Madhu
 DOCUMENT NO. : 96 - 114 - 02 - 03
 SETO TEKNOLOG PRIVATE LIMITED.
 406, HILL VIEW INDUSTRIAL ESTATE, MUMBAI - 86.