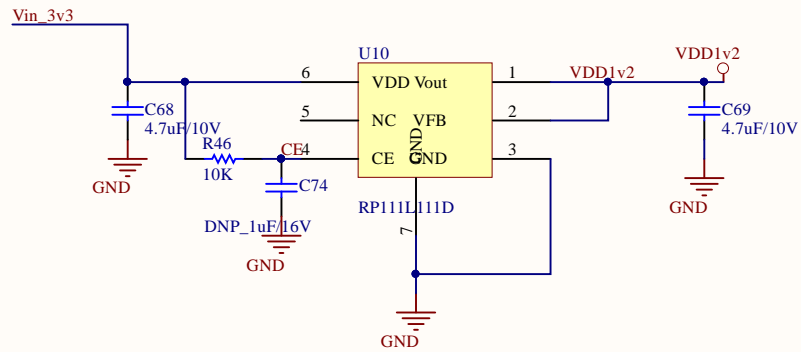
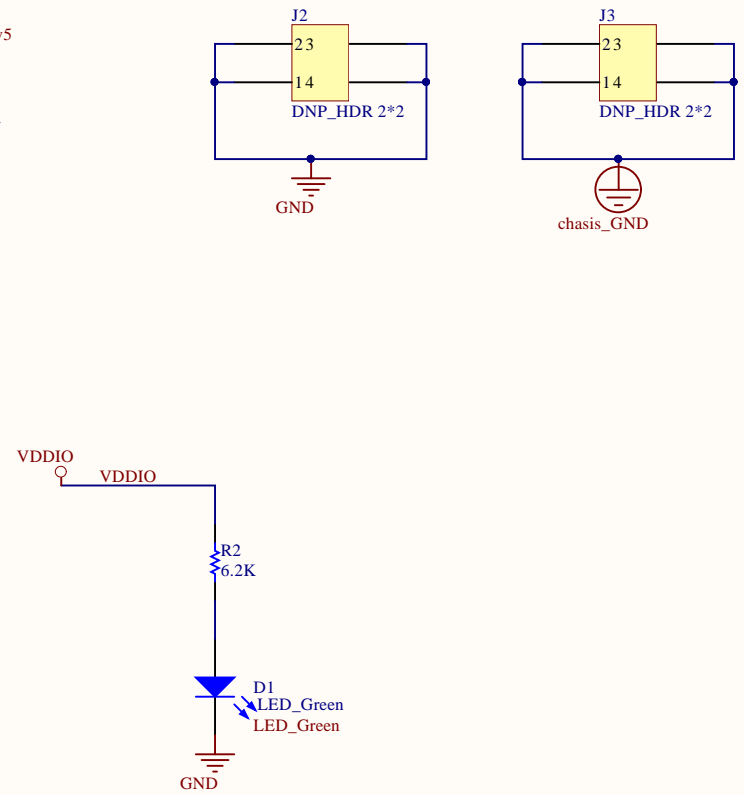
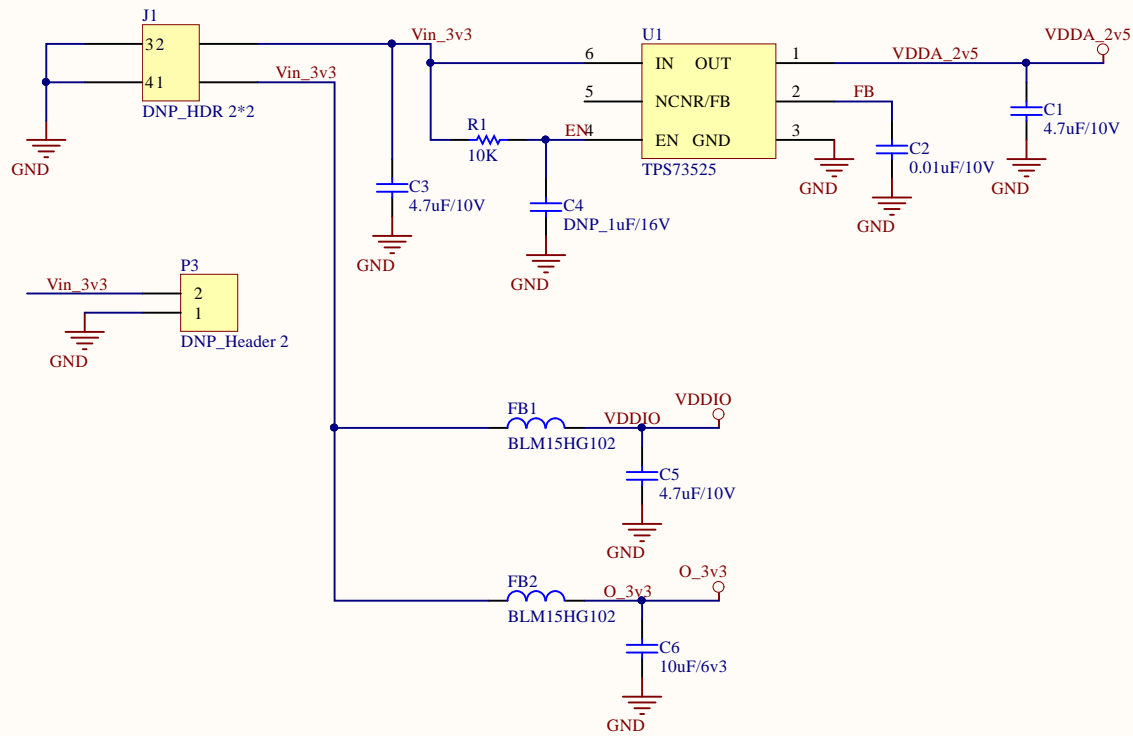
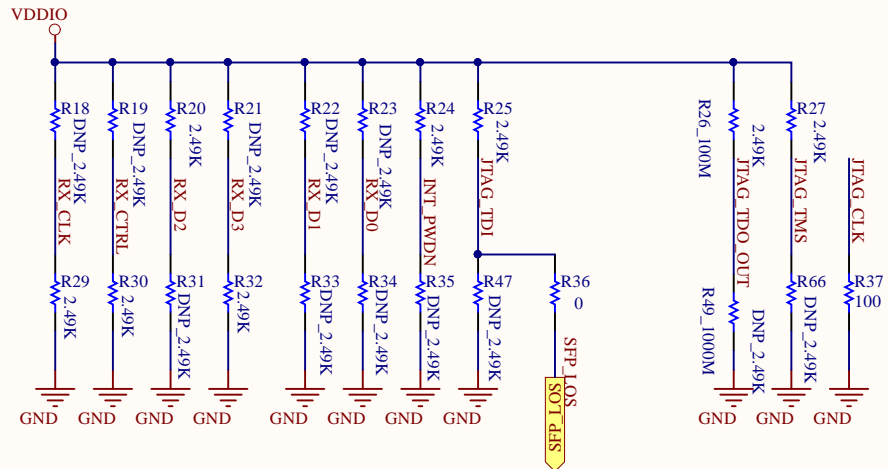
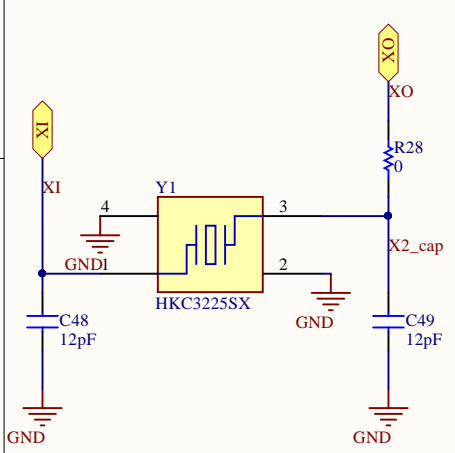
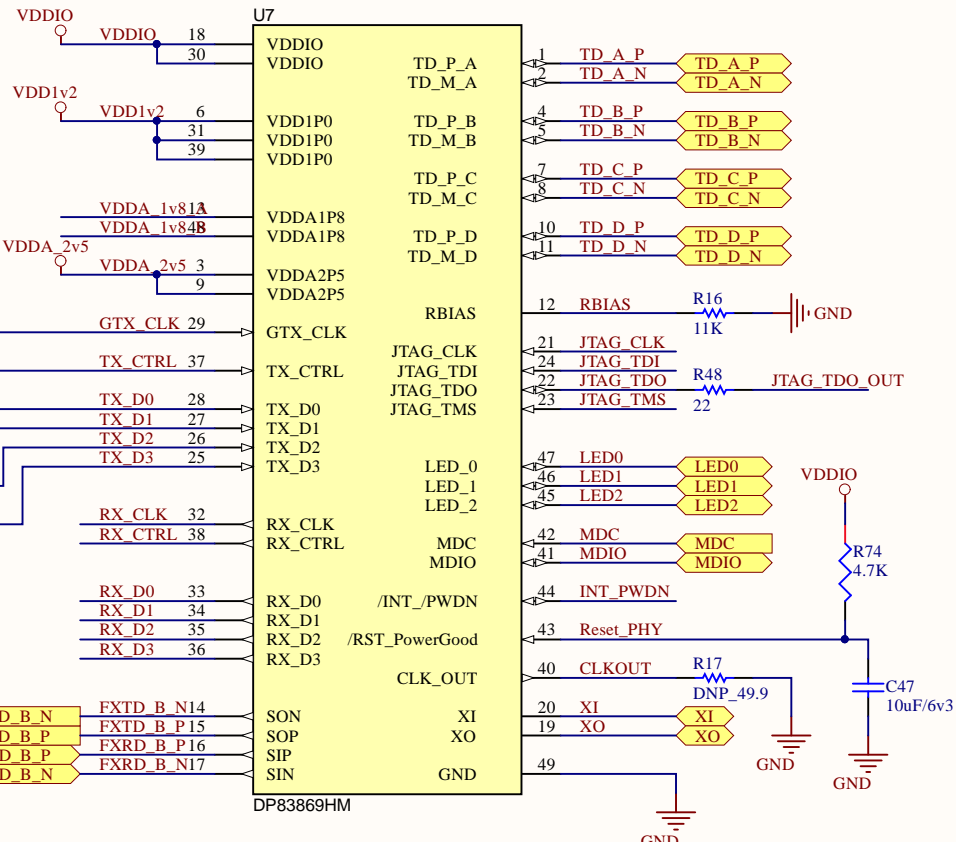
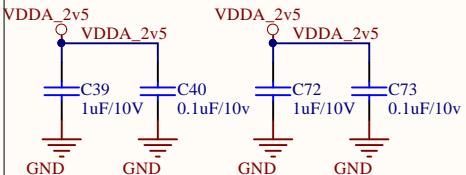
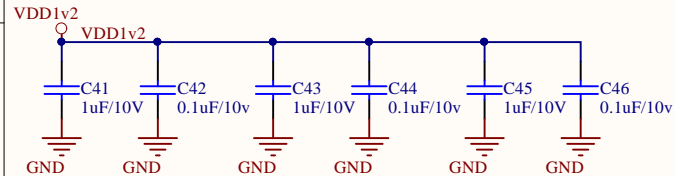
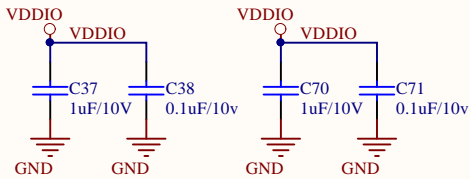
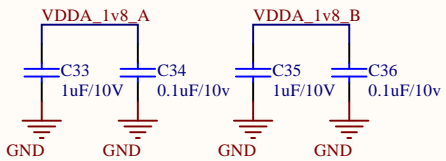


Title		
Size A4	Number Block	Revision
Date: 2021/8/12	Sheet of	
File: C:\Users\...\1107027300-PCBG-CV1-M4-Block-B0-GP2_Block.SchDoc		

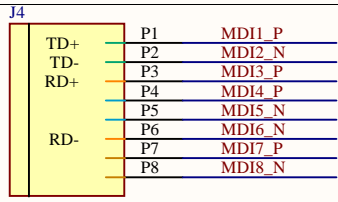


Title		
Size A4	Number Vin5v->Vout3v3	Revision
Date: 2021/8/12	Sheet of	
File: C:\Users\...\1107027300-PCBG-CV1-M4-424K-B0-GP2_DC3v3.SchDoc	4 of 4	

VDDA_1v8
 Unused: No cap
 Ex-Used: Add cap



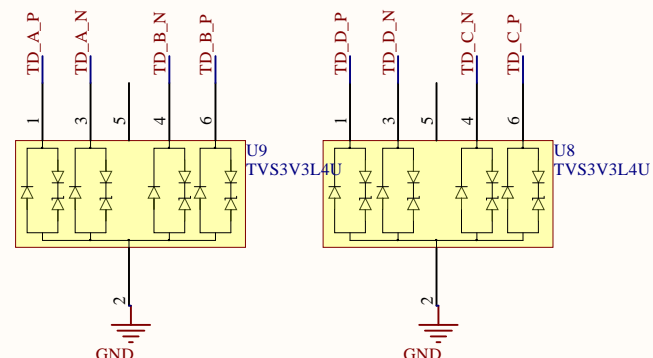
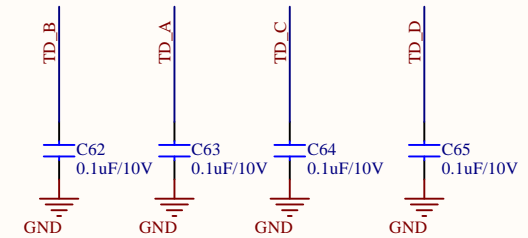
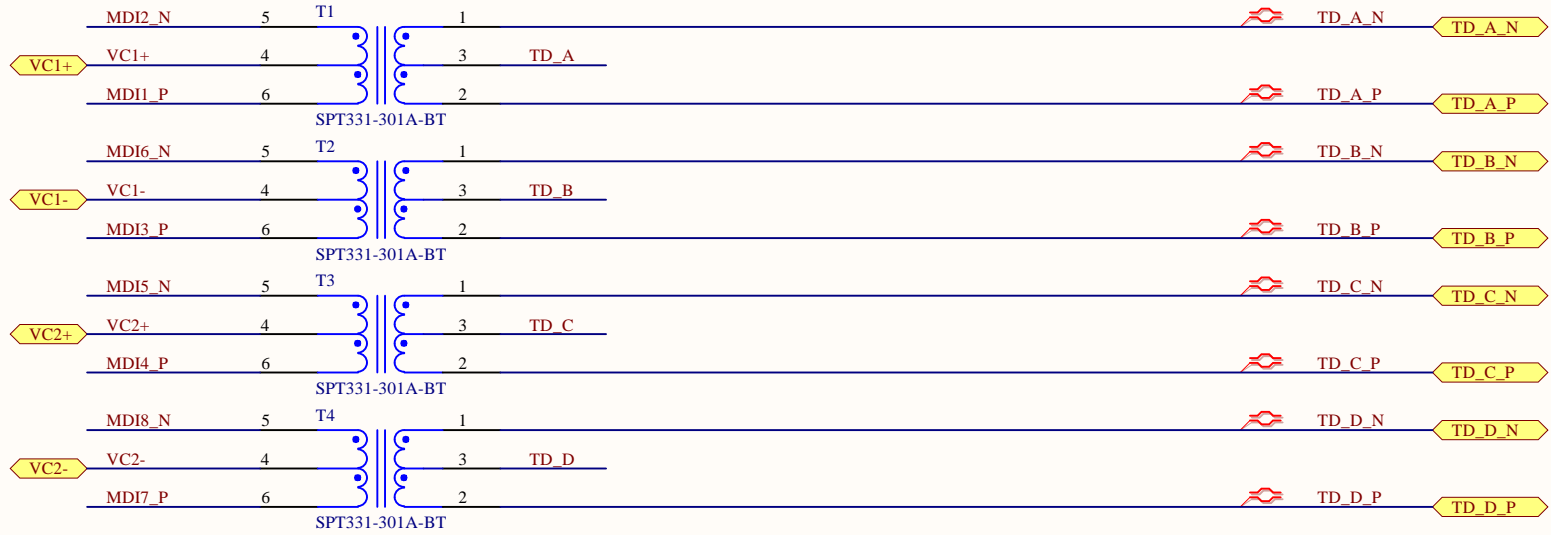
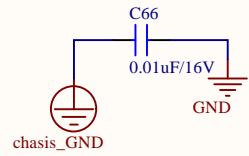
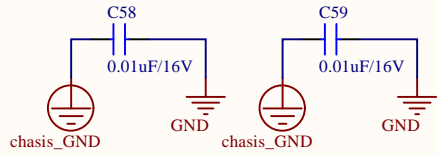
Title		
Size A4	Number PHY Interface	Revision
Date:	2021/8/12	Sheet of
File:	C:\Users\...\1107027300-PCBG-CV1-M4-DB24K-B0-GP2_PHY.SchDoc	



DNP_RJ45plug_100M

MDI_1/2/3/6 POE trace_20mil_0.5Oz

MDI_1/2/3/6 POE trace_10mil_1Oz



Title		
Size A4	Number RJ45	Revision
Date: 2021/8/12	Sheet of	
File: C:\Users\...\1107027300-PCBG-CV1-M4-124K-B0-GP2_RJ45.SchDoc		

1

2

3

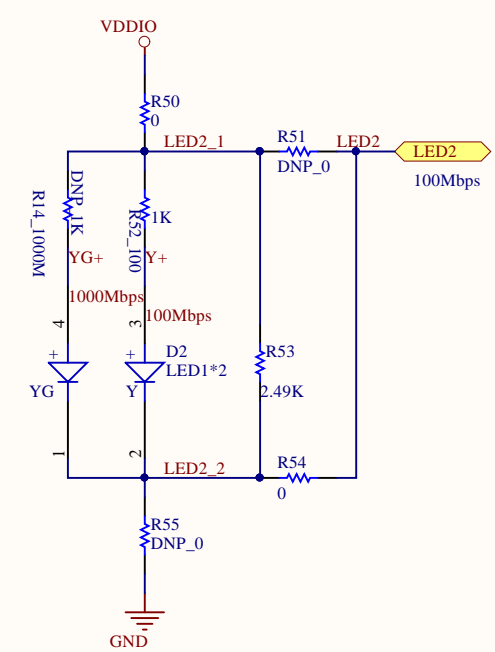
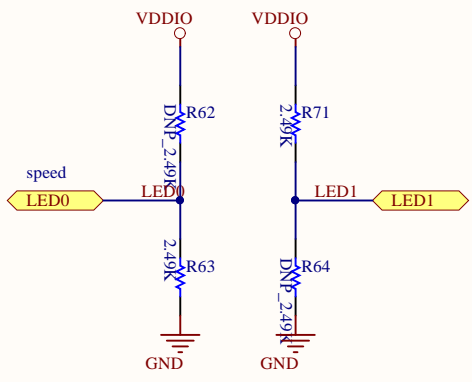
4

1

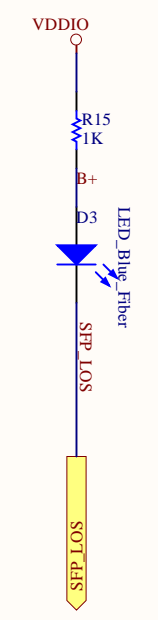
2

3

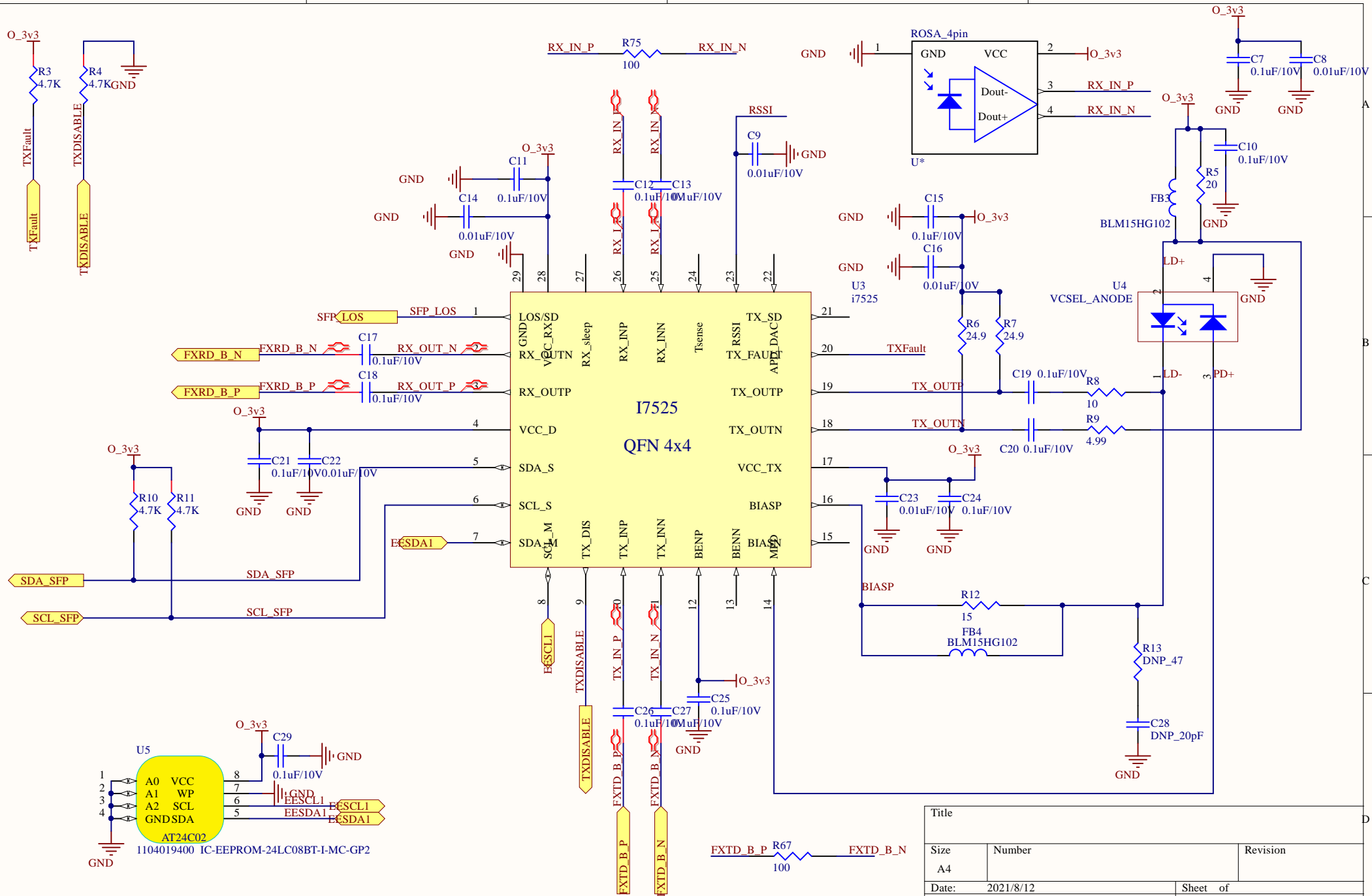
4



LED2:1011b_link OK + blink on TX/RX activity



Title		
Size A4	Number LED	Revision
Date:	2021/8/12	Sheet of
File:	C:\Users\...\1107027300-PCBG-CV1-M4-424K-B0-GP2_LED.SchDoc	



Title		
Size	Number	Revision
A4		
Date:	2021/8/12	Sheet of
File:	C:\Users\...\1107027300-PCBG-CV1-M4-124K-BY-GP2_fiber.SchDoc	

1

2

3

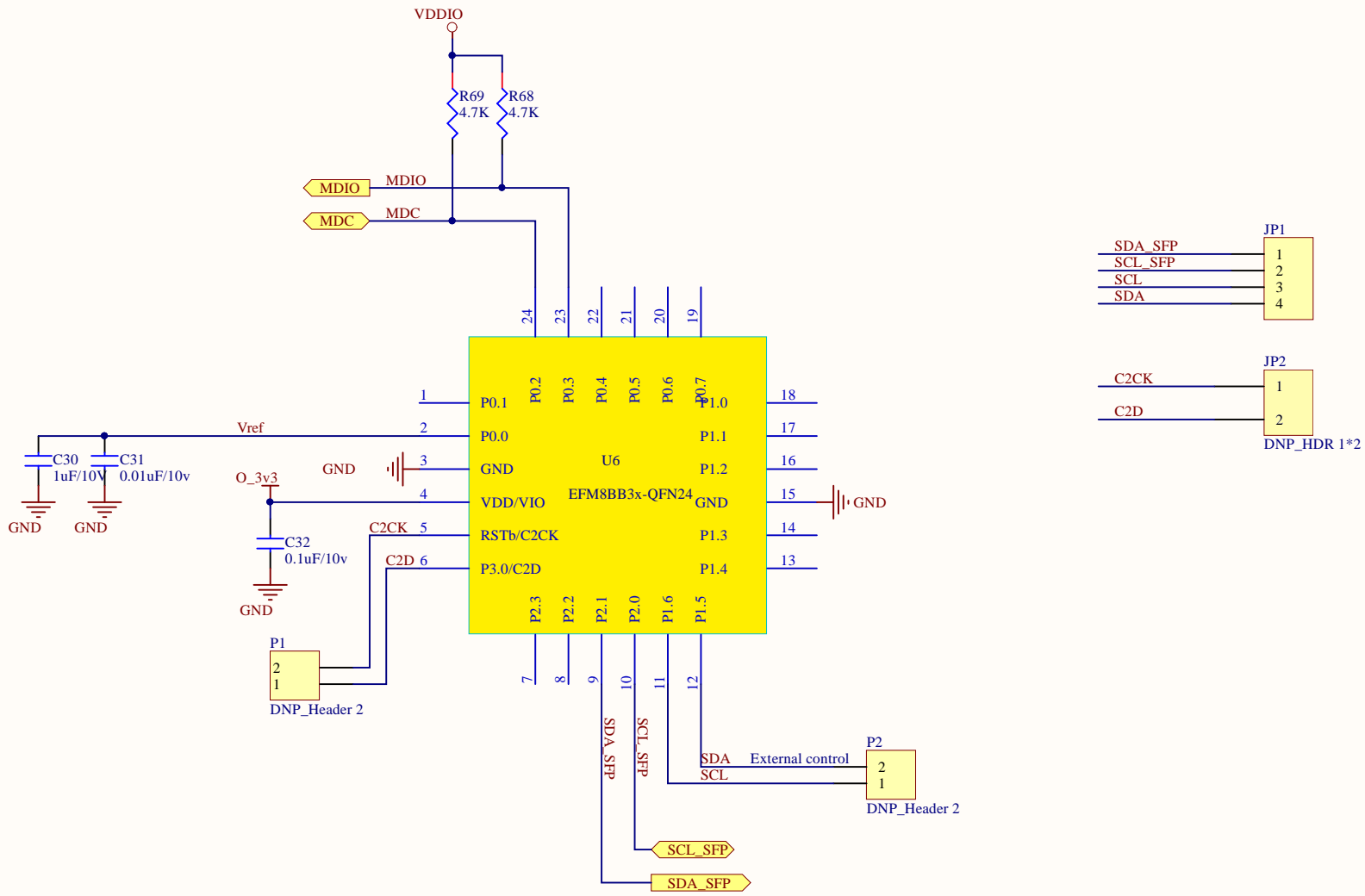
4

1

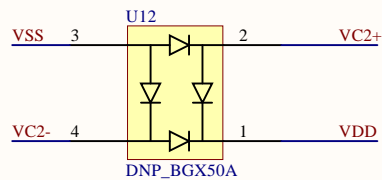
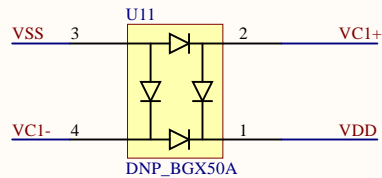
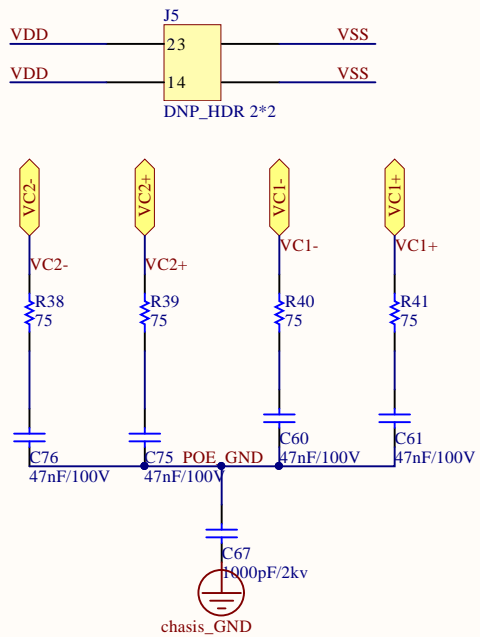
2

3

4



Title		
Size	Number	Revision
A4		
Date:	2021/8/12	Sheet of
File:	C:\Users\...\1107027300-PCBG-CV1-M4-424K-B0-GP2_MCU.SchDoc	



Cannot open file D:\OneDrive\OM\TRx\TICA\ICdatasheet\TI\POE\POE_End-span.PNG

Title		
Size A4	Number	Revision
Date:	2021/8/12	Sheet of
File:	C:\Users\...\1107027300-PCBG-CV1-M4- 424K-B0 -GP2_POE.SchDoc	