

DP83869HM ETHERNET PHY

Route TD,P/N pairs with 100-ohms differential trace impedance

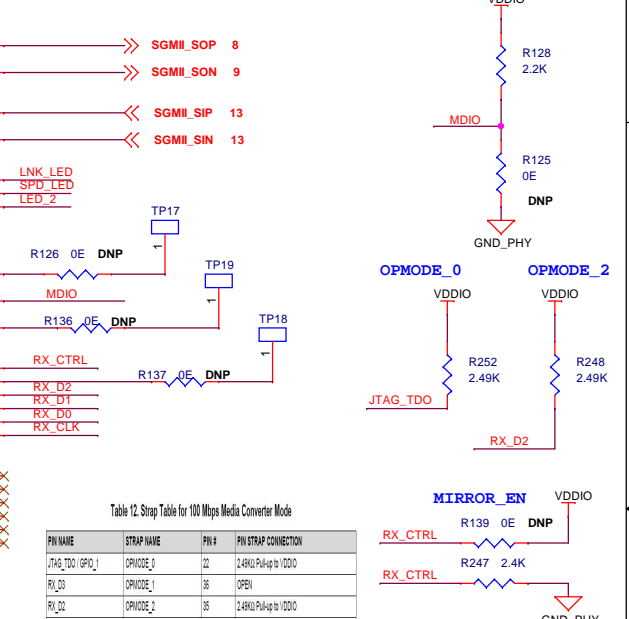
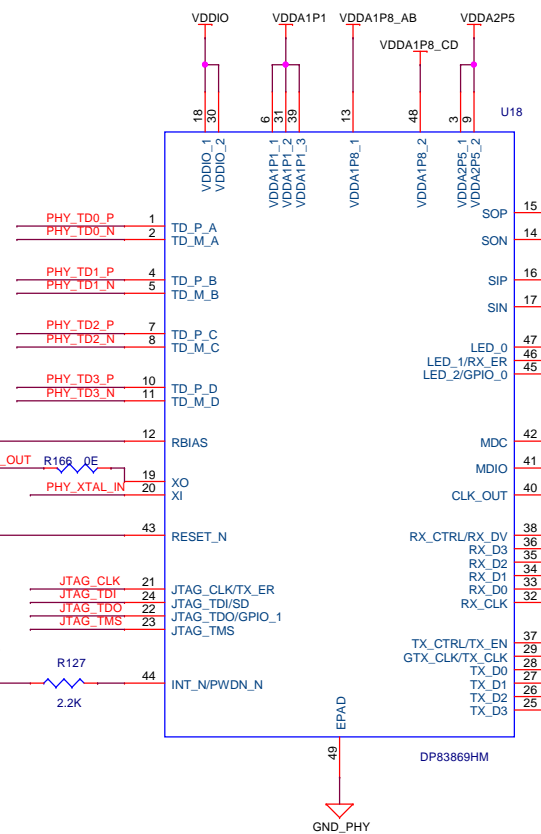
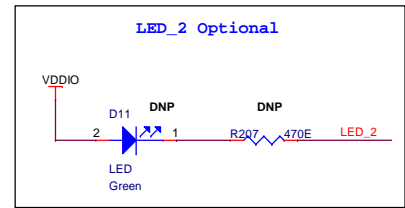
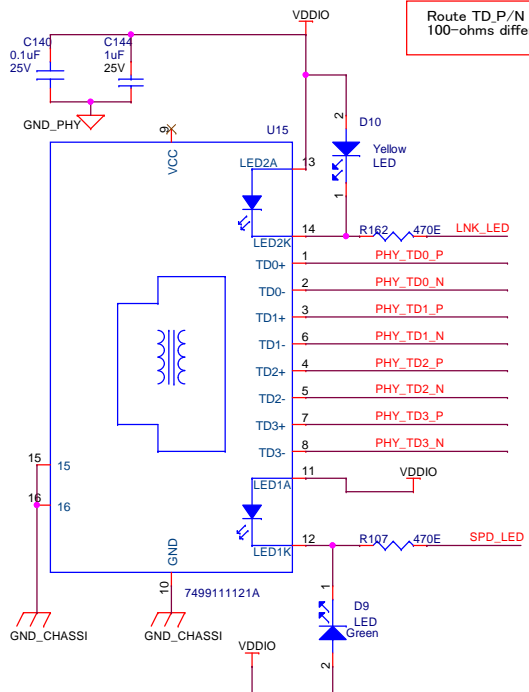
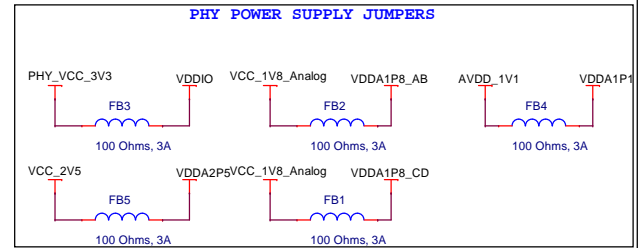


Table 11. PHY Strap Table

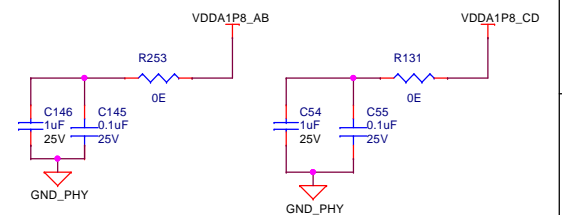
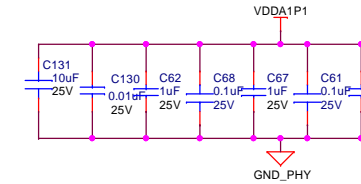
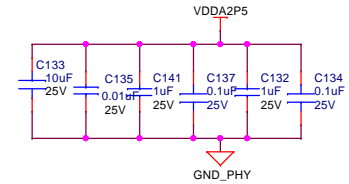
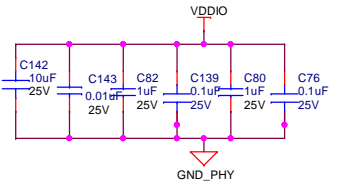
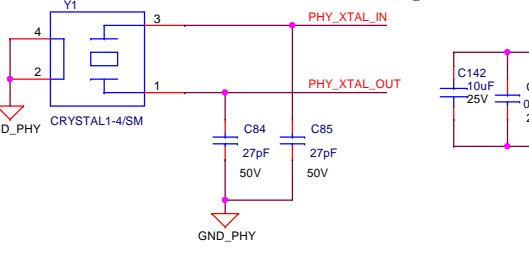
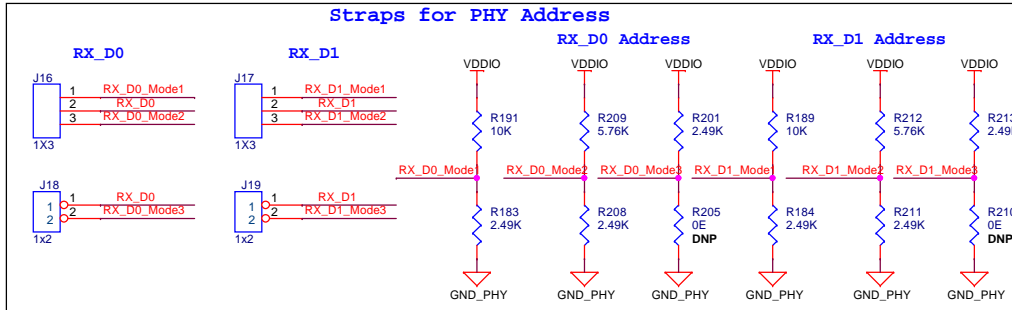
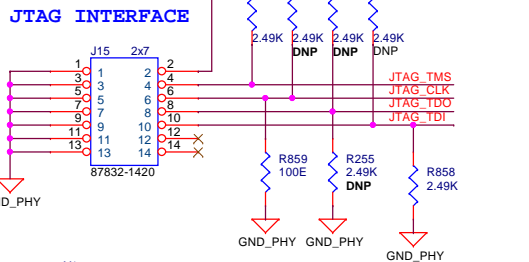
| PN NAME | STRAP NAME | PN # | DEFAULT | PHY_ADD1 | PHY_ADD0 |
|---------|-------------|------|---------|----------|----------|
| RX_D0 | PHY_ADD1[0] | 33 | 00 | MODE0 | 0 |
| | | | | MODE1 | 0 |
| | | | | MODE2 | 1 |
| | | | | MODE3 | 1 |
| RX_D1 | PHY_ADD1[3] | 34 | 00 | MODE0 | 0 |
| | | | | MODE1 | 0 |
| | | | | MODE2 | 1 |
| | | | | MODE3 | 1 |

Table 12. Strap Table for 100 Mbps Media Converter Mode

| PN NAME | STRAP NAME | PN # | PN STRAP CONNECTION |
|-----------------|------------|------|------------------------|
| JTAG_TDO_GPIO_1 | CPINODE_0 | 22 | 2.49K-Pull-up to VDDIO |
| RX_D0 | CPINODE_1 | 36 | OPEN |
| RX_D1 | CPINODE_2 | 35 | 2.49K-Pull-up to VDDIO |

Table 13. Strap Table for Copper and 100Base-FX Interface

| PN NAME | STRAP NAME | PN # | FUNCTION | ADDRESS_0 | ADDRESS_1 |
|---------|------------|------|----------|-----------|-----------|
| LED_1 | ADDRESS_0 | 46 | 1 | 0 | 0 |
| LED_2 | ADDRESS_1 | 48 | 1 | 0 | 0 |
| RX_CTRL | MIRROR_EN | 38 | 0 | 0 | 0 |
| RX_CLK | LINK_LOSS | 32 | 1 | 0 | 0 |



Internal Version 1.0

L & T Technology services Ltd

Title: **PHY SECTION**

| | | | |
|----------|--------------------------------|-------------------|----------|
| Size: A3 | Document Number: E-15229-01-01 | Designer: Sandeep | Rev: 1.0 |
|----------|--------------------------------|-------------------|----------|

Date: Thursday, October 27, 2022 Sheet 7 of 13