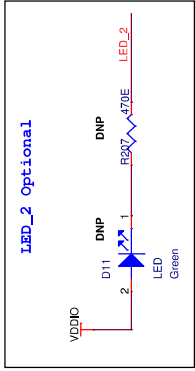
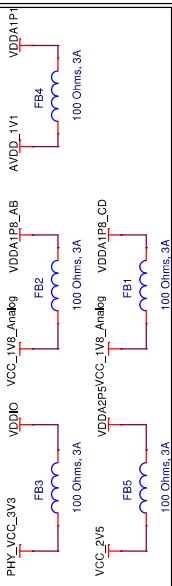


# DP83869HM ETHERNET PHY

## PHY POWER SUPPLY JUMPERS



Route TD P/N pairs with 100-ohms differential trace impedance

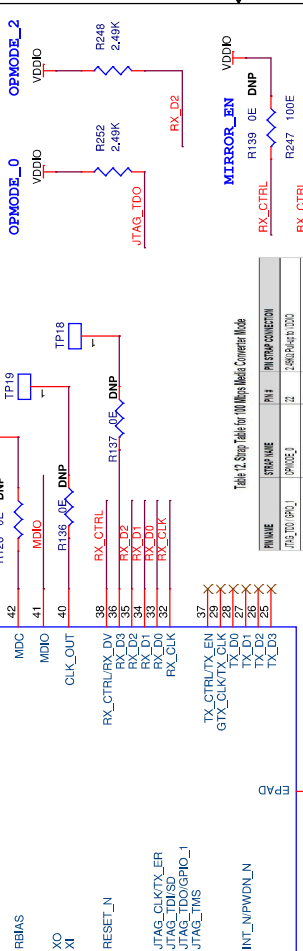
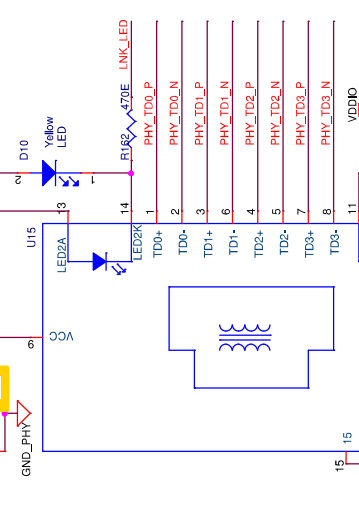


Table 11. PHY Strap Table

PARAMETER	STRAP NAME	PHY_2001	PHY_2002
R <sub>LD</sub>	PHY_2001_0	0	0
	PHY_2001_1	1	1
	PHY_2001_2	1	1
R <sub>LD</sub>	PHY_2002_0	0	0
	PHY_2002_1	1	1
	PHY_2002_2	1	1

Table 12. Strap Table for Copper and 10Base-PK Interface

PARAMETER	STRAP NAME	PHY_2001	PHY_2002
R <sub>LD</sub>	PHY_2001_0	0	0
	PHY_2001_1	1	1
	PHY_2001_2	1	1
R <sub>LD</sub>	PHY_2002_0	0	0
	PHY_2002_1	1	1
	PHY_2002_2	1	1

Table 13. Strap Table for 10/100 Mbps Media Converter Mode

PARAMETER	STRAP NAME	PHY_2001	PHY_2002
R <sub>LD</sub>	PHY_2001_0	0	0
	PHY_2001_1	1	1
	PHY_2001_2	1	1
R <sub>LD</sub>	PHY_2002_0	0	0
	PHY_2002_1	1	1
	PHY_2002_2	1	1

