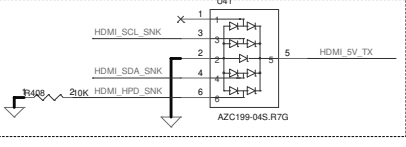
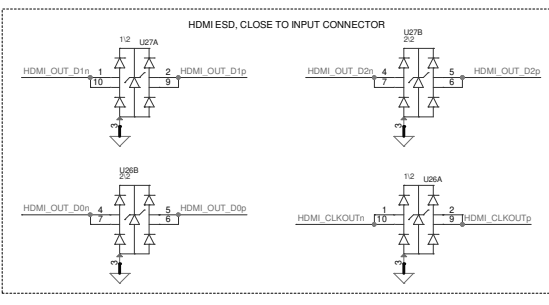
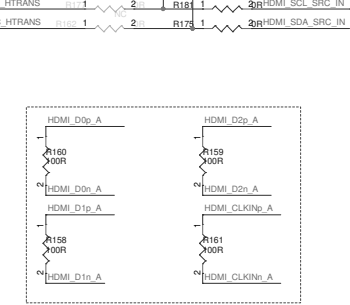
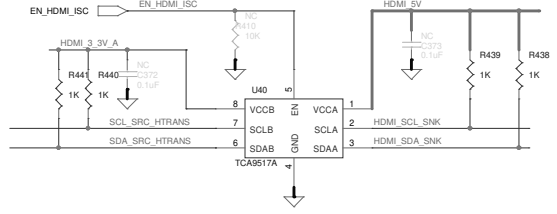


| | |
|--------------|----|
| HDMI_OUT_D2p | 1 |
| GNB | 2 |
| HDMI_OUT_D2n | 3 |
| HDMI_OUT_D1p | 4 |
| GNB | 5 |
| HDMI_OUT_D1n | 6 |
| HDMI_OUT_D0p | 7 |
| GNB | 8 |
| HDMI_OUT_D0n | 9 |
| HDMI_CLKOUTp | 10 |
| GNB | 11 |
| HDMI_CLKOUTn | 12 |
| GNB | 13 |
| R448 | 14 |
| HDMI_SDA_SNK | 15 |
| HDMI_SDA_SNK | 16 |
| GNB | 17 |
| HDMI_5V_TX | 18 |
| HDMI_5V_TX | 19 |
| SHIELD | 20 |
| SHIELD | 21 |
| GNB | 22 |
| GNB | 23 |



NEED to CHECK



| | | | |
|-------|-----------------------|---------------------|----------|
| Title | | HDMI RETIMER | |
| Size | Document Number | | |
| Cust | pm-Doc- | | |
| Date: | Tuesday, May 07, 2019 | Sheet | 18 of 24 |
| | | | Rev |
| | | | 01 |

Close to U6 Pin