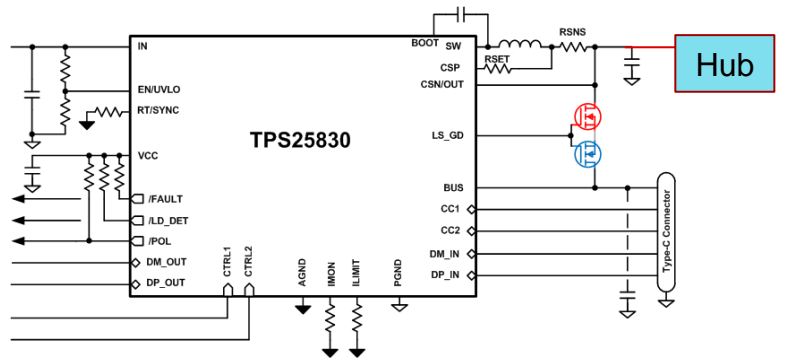
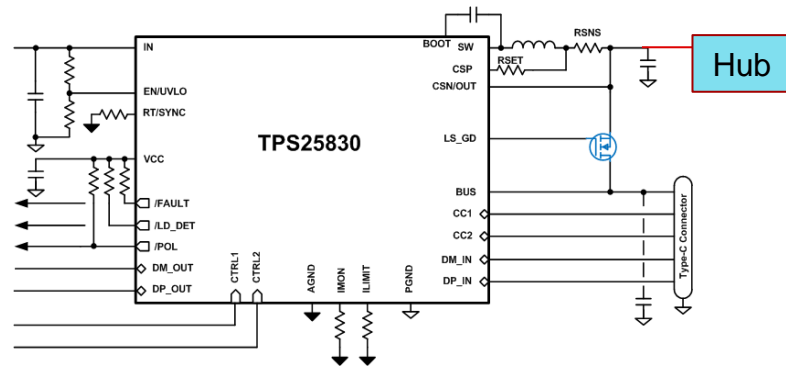


- Buck provides ILIMIT & Short to Battery protection.

- FET provides current limit for type A/C port.
- Buck provides Current limit for hub upstream.



- FET provide Short to Battery protection.
- Buck provides Current limit for hub upstream.

- Back to Back FET provides current limit and Short to Battery.
- Buck provides Current limit for hub upstream.