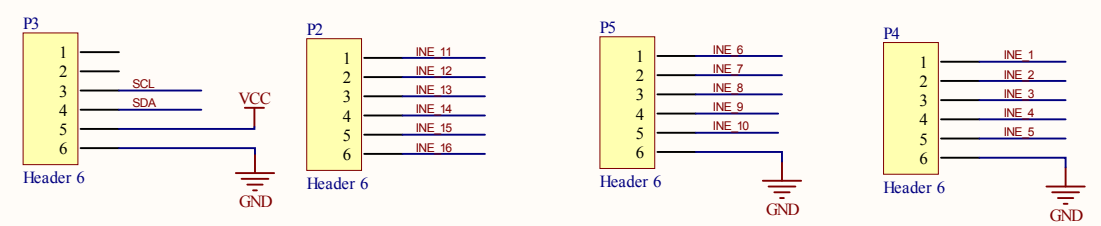
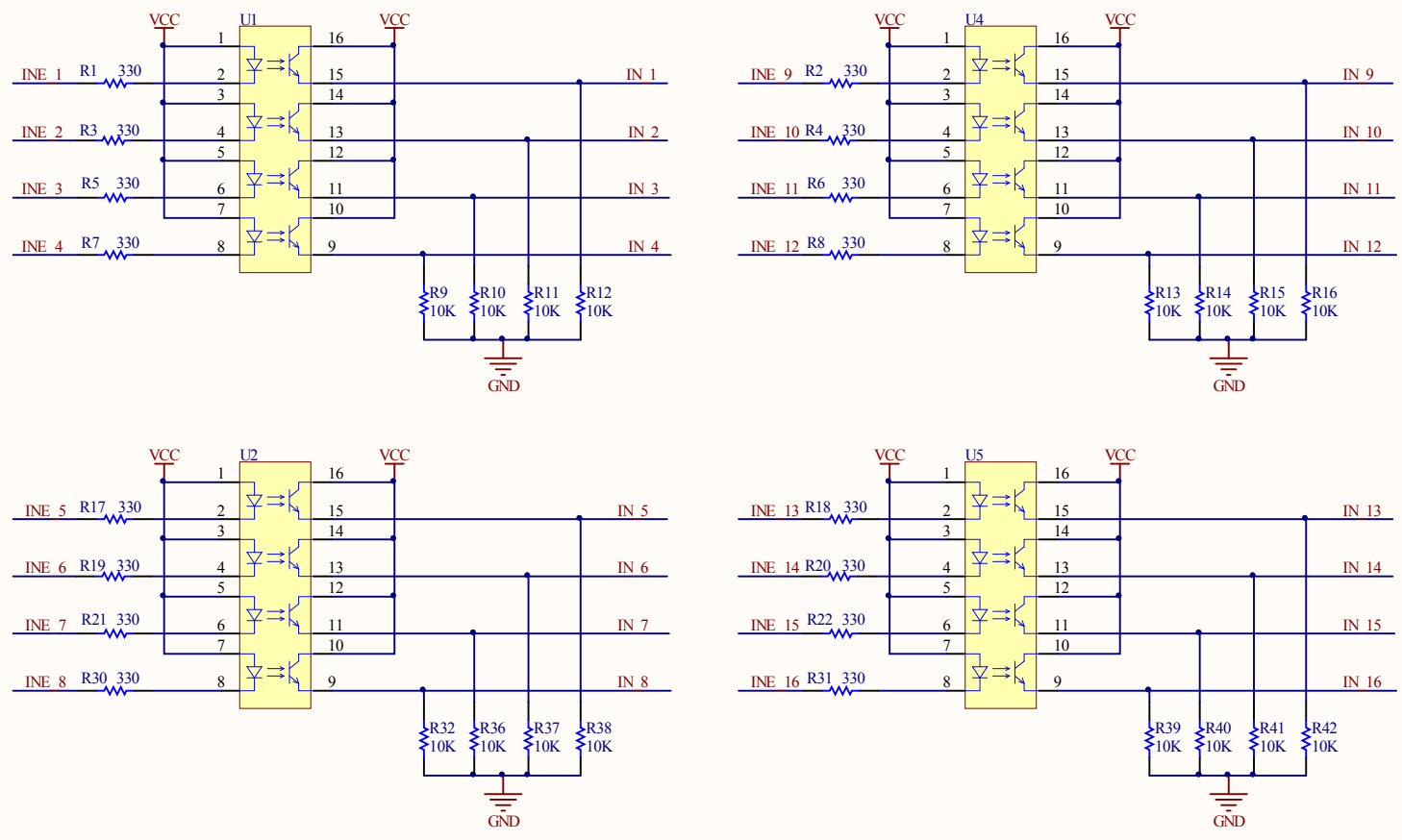
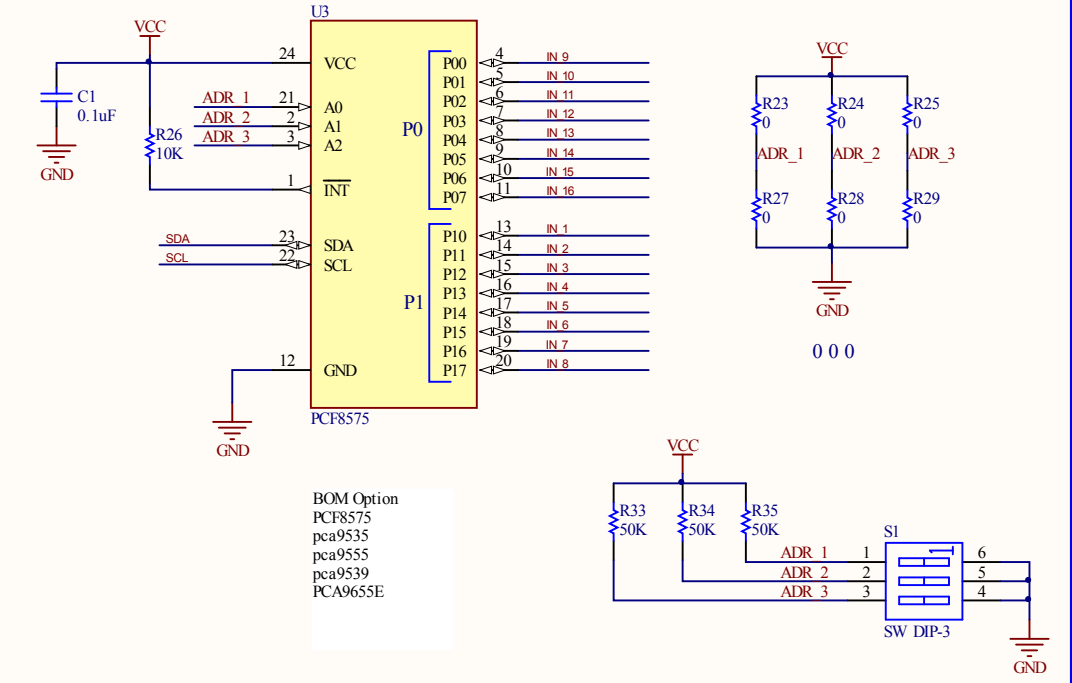


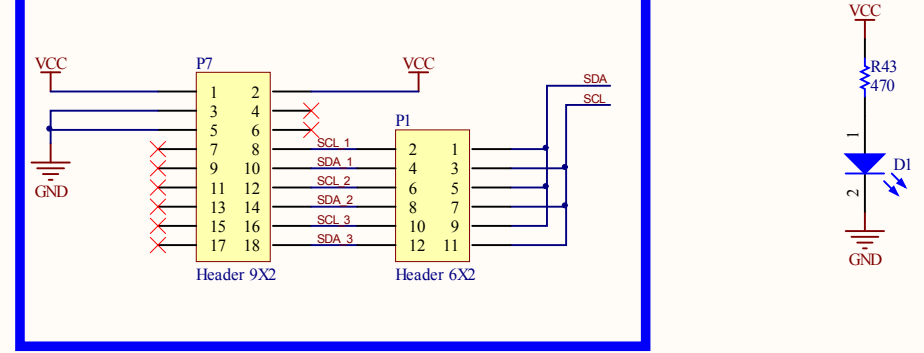
Digital Inputs



Can read P0



Din Rail Bus



Title		
16 Digital Inputs		
Size	Number	Revision
A3		
Date:	04/02/2016	Sheet of
File:	E:\Work\...\16 Digital Inputs.SchDoc	Drawn By: