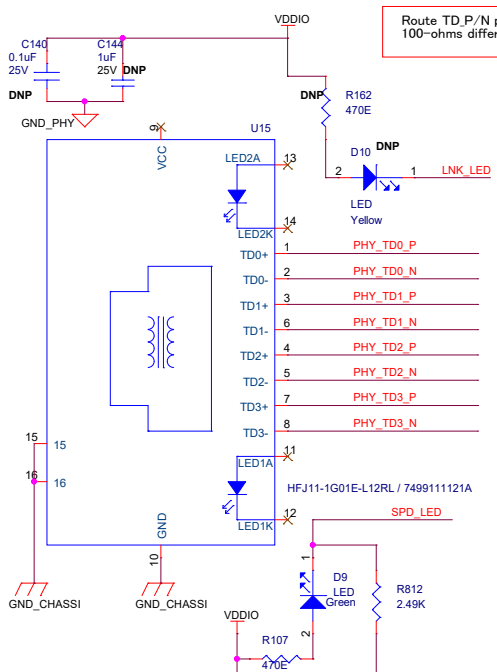


# DP83869HM ETHERNET PHY

## PHY POWER SUPPLY JUMPERS



Route TD\_P/N pairs with 100-ohms differential trace impedance

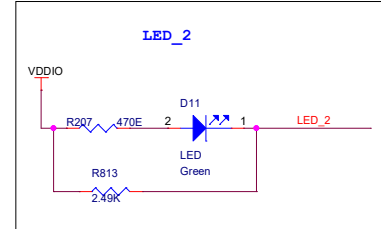


Table 11. PHY Strap Table

PIN NAME	STRAP NAME	PH #	DEFAULT	PHY_ADD1	PHY_ADD2
RL_D0	PHY_ADD0[0]	33	00	MODE0	0
				MODE1	0
				MODE2	1
RL_D1	PHY_ADD0[1]	34	00	MODE0	0
				MODE1	0
				MODE2	1

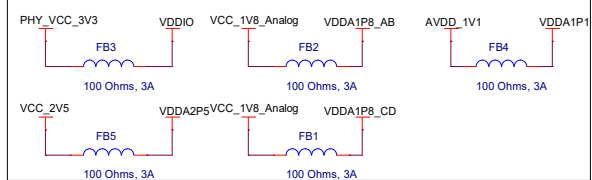
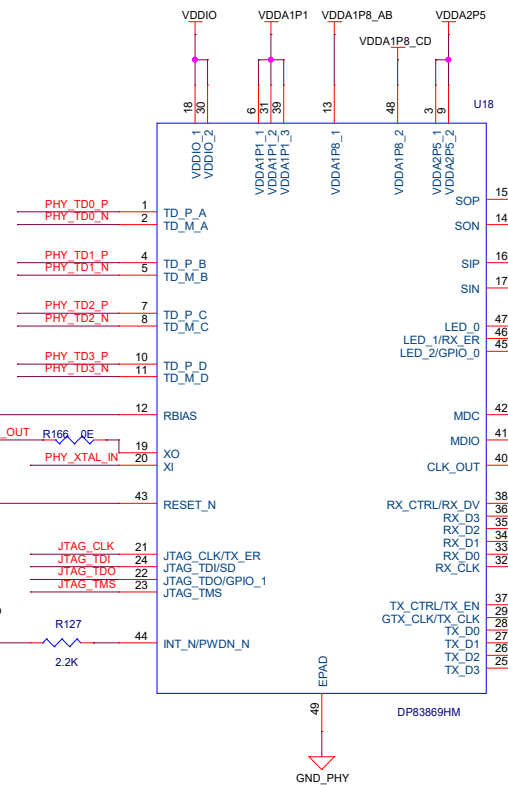


Table 12. Strap Table for 100 Mbps Media Converter Mode

PIN NAME	STRAP NAME	PH #	PIN STRAP CONNECTION
JTAG_TDO[EPD_1]	CPINCODE_0	00	(2-4K) Pullup to VDDIO
RL_D0	CPINCODE_1	00	(2-4K) Pullup to VDDIO
RL_D2	CPINCODE_2	00	(2-4K) Pullup to VDDIO

Table 13. Strap Table for Copper and 100Base-FX Interface

PIN NAME	STRAP NAME	PH #	FUNCTION
LED_1	ANSELSEL_0	48	1
LED_2	ANSELSEL_1	48	1
RL_CTRL	MIRROR_EN	36	0
RL_CTRL	LINK_LOSS	32	0

