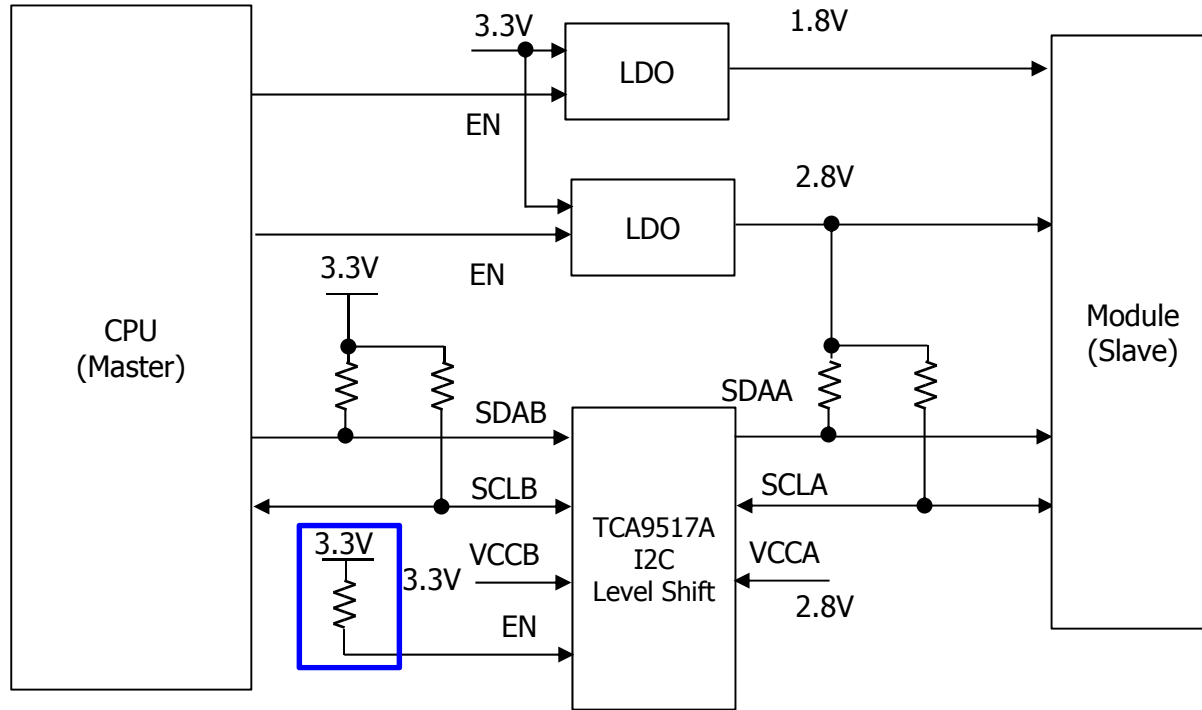
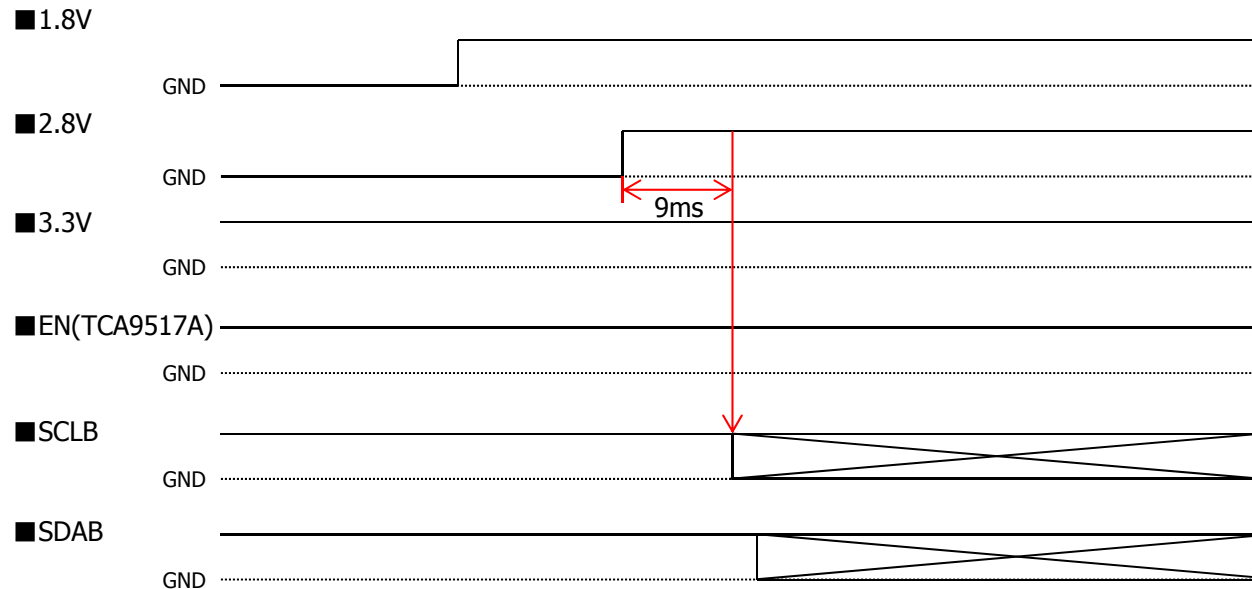


<Schematic>



<Power-Sequence>



<Question>

Our customer will use TCA9517A.
 Our customer would like to use the power sequence like as left showing.
 VCCB and VCCA can be applied in any sequence at power up.
 (There is no power up sequence.)
 (And they are within absolute maximum rating.)
 So, we guess that there is no problem.
 Is our recognition correct?