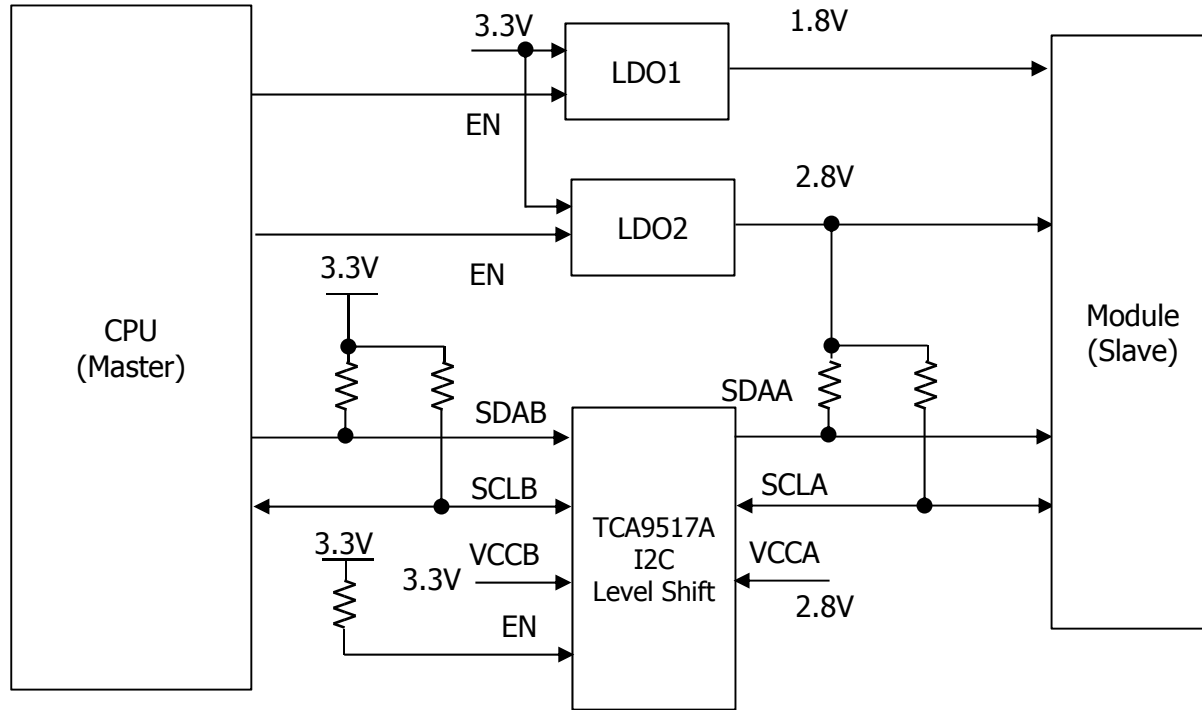
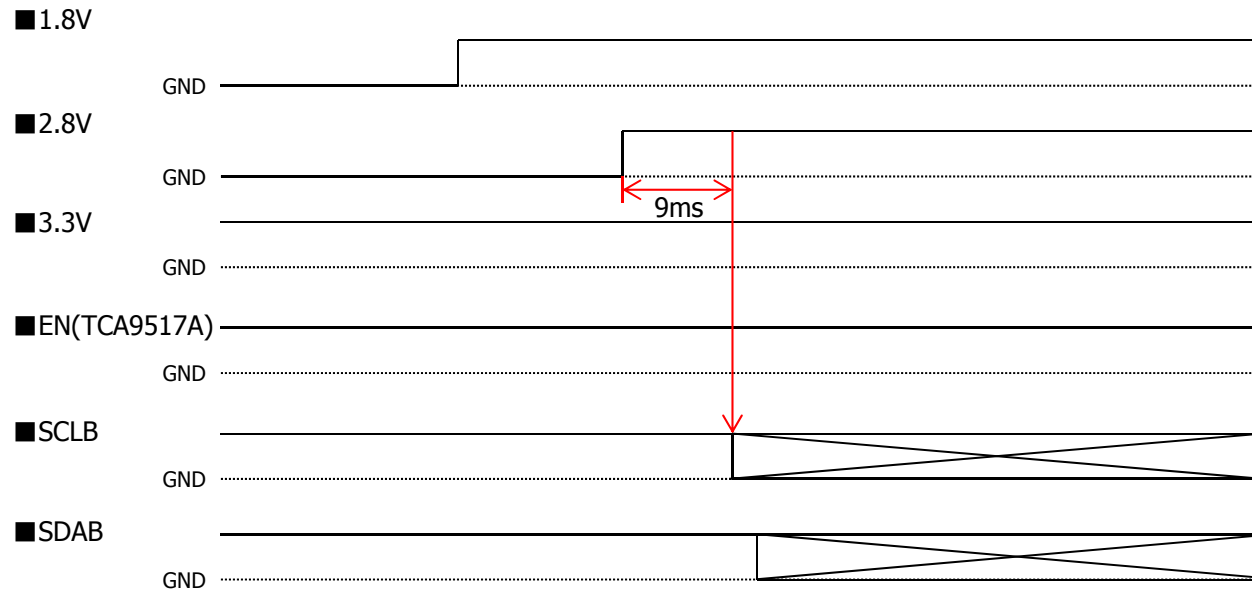


<Schematic>



<Power-Sequence>



<Question>

Unless LDO2 turns on, VCCA doesn't switch on.

When Module doesn't operate(disable), our customer would like to reduce LDO2's consumption.

So, LDO2 turns on and off depending on Module operation.

We are sure that it doesn't matter for Absolute maximum ratings and power-up sequence.

If you have some advice, could you let us know?