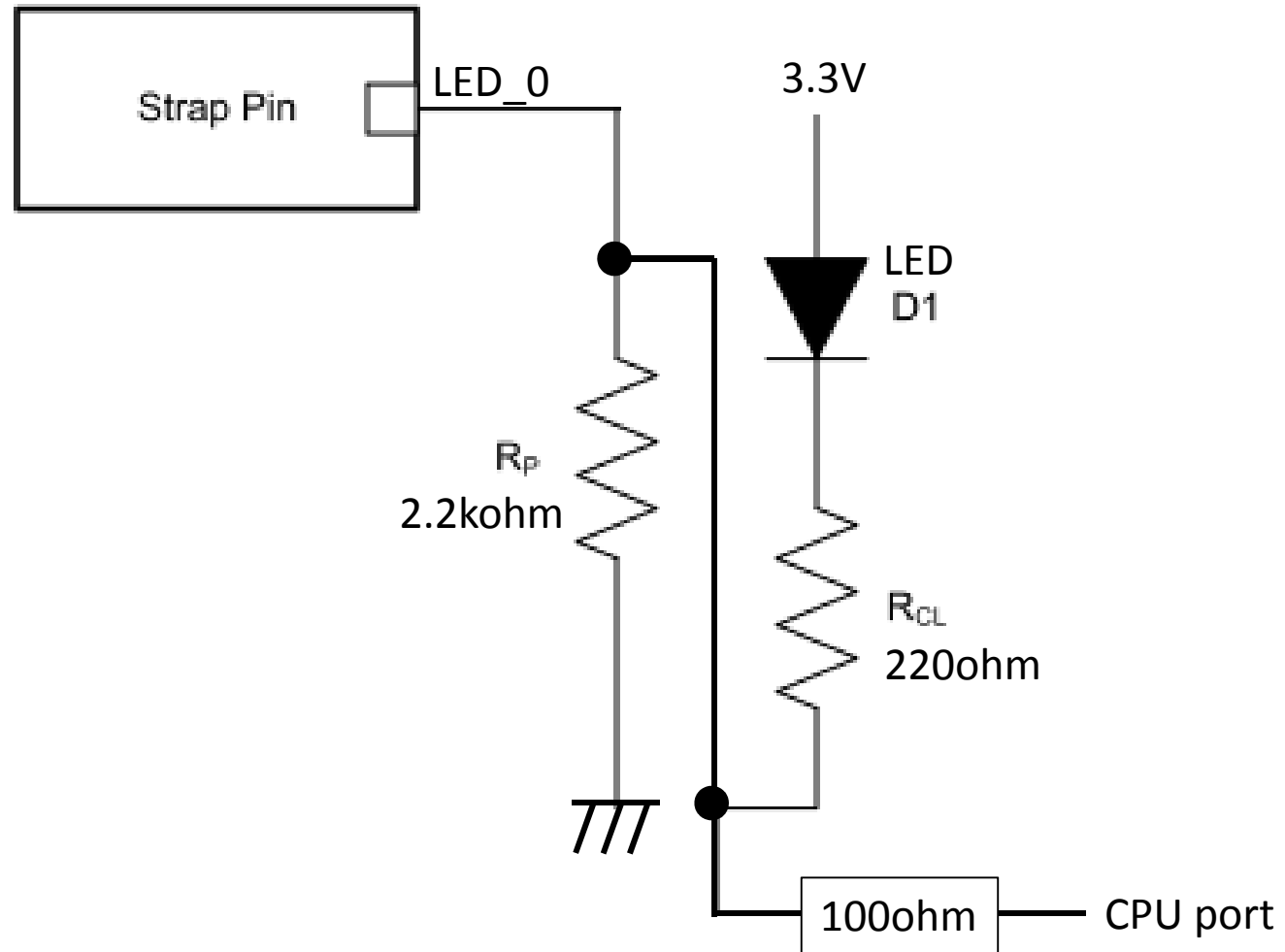


Method A



Method B

