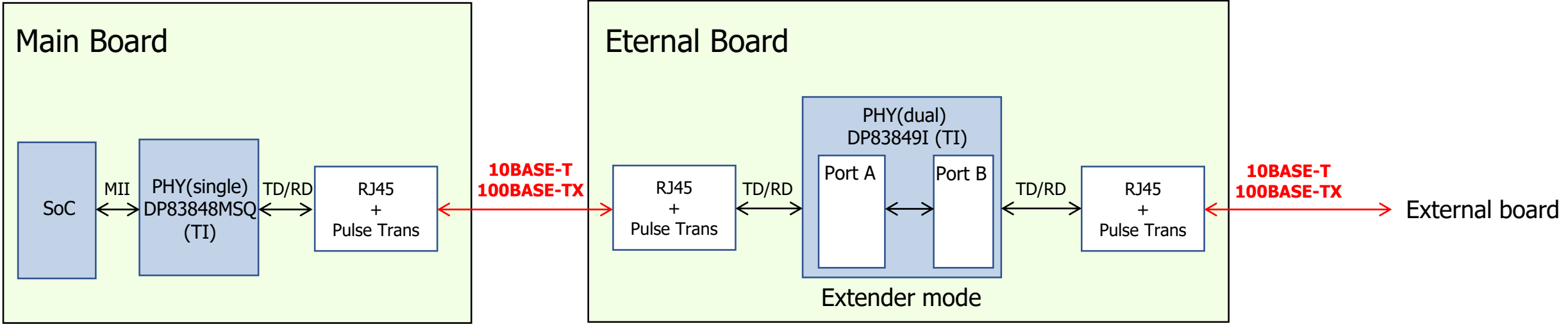


<Pattern1>



<Pattern2>

