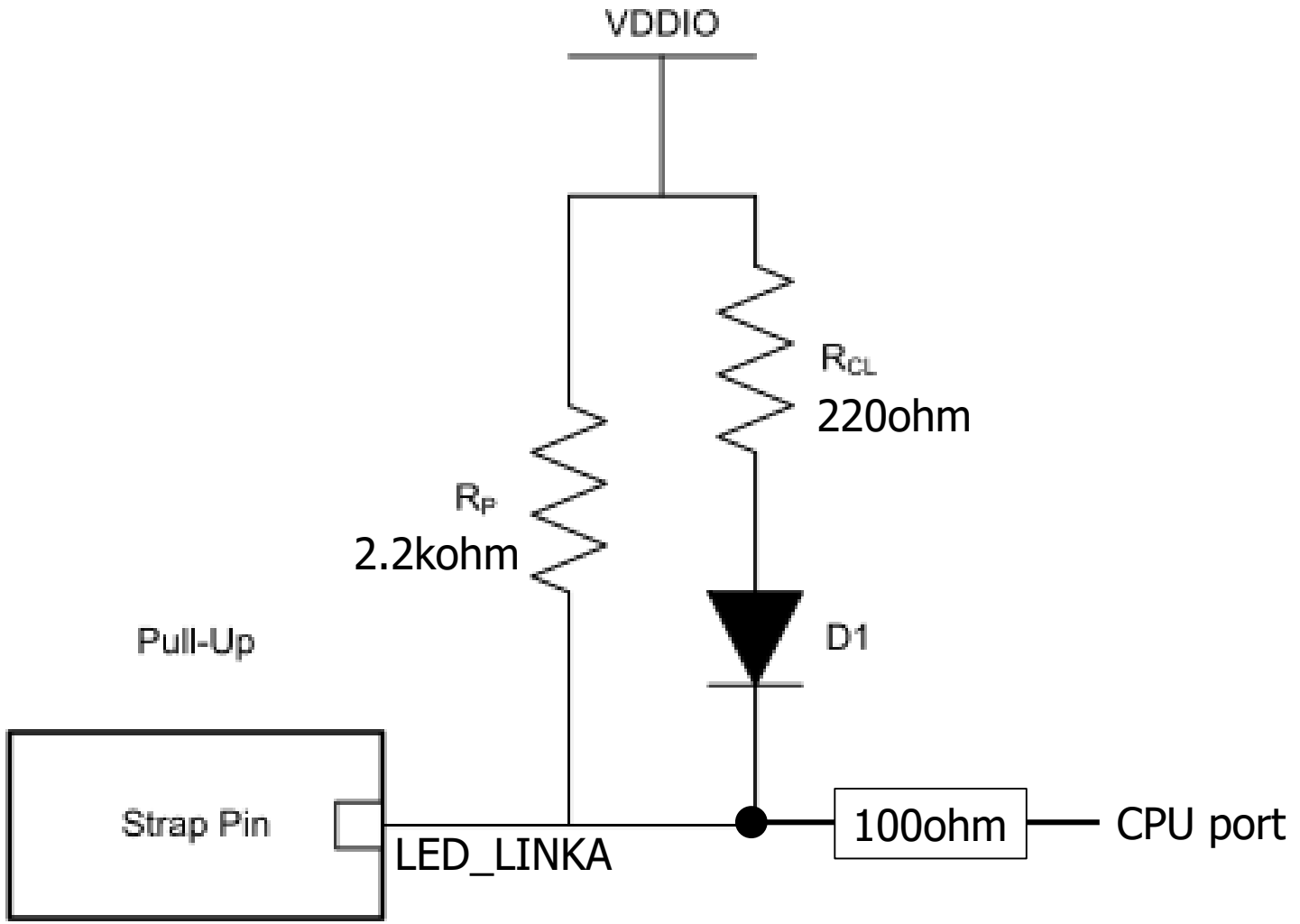


<In case of high level setting for LED's strap setting with pull up 2.2kohm>



<In case of low level setting for LED's strap setting with pull down 2.2kohm>

