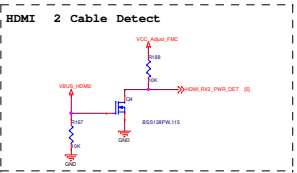
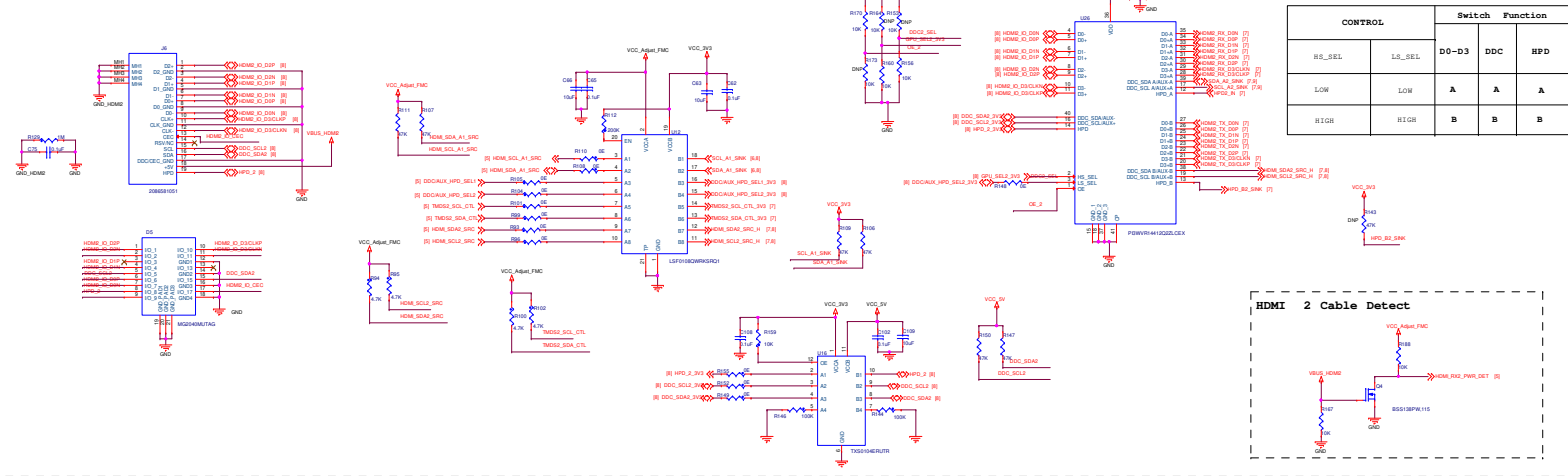
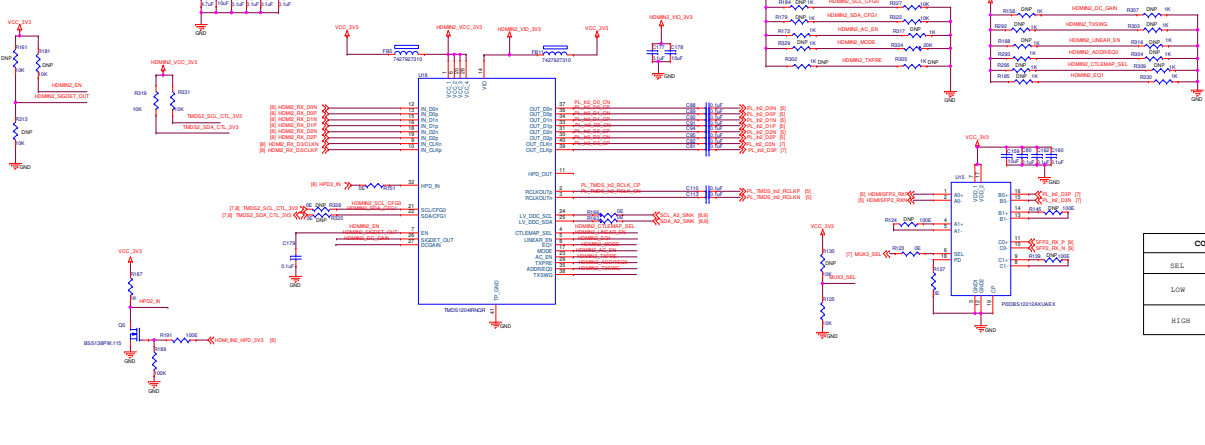


### HDMI Connector 2 Control Logic



### HDMI Input 2



SI8651		Default
Pin Name	Description	
HS_SEL	HS_SEL pin is connected to PD0 in Pin Array mode and HS_SEL in 10T mode	Low
LS_SEL	LS_SEL pin is connected to PD1 in Pin Array mode and LS_SEL in 10T mode	Low
D0-D3	D0-D3 pins are connected to PD2-PD5 in Pin Array mode and D0-D3 in 10T mode	Low
DDC	DDC pin is connected to PD6 in Pin Array mode and DDC in 10T mode	Low
RPD	RPD pin is connected to PD7 in Pin Array mode and RPD in 10T mode	Low
HS_SEL	HS_SEL pin is connected to PD0 in Pin Array mode and HS_SEL in 10T mode	Low
LS_SEL	LS_SEL pin is connected to PD1 in Pin Array mode and LS_SEL in 10T mode	Low
D0-D3	D0-D3 pins are connected to PD2-PD5 in Pin Array mode and D0-D3 in 10T mode	Low
DDC	DDC pin is connected to PD6 in Pin Array mode and DDC in 10T mode	Low
RPD	RPD pin is connected to PD7 in Pin Array mode and RPD in 10T mode	Low
HS_SEL	HS_SEL pin is connected to PD0 in Pin Array mode and HS_SEL in 10T mode	Low
LS_SEL	LS_SEL pin is connected to PD1 in Pin Array mode and LS_SEL in 10T mode	Low
D0-D3	D0-D3 pins are connected to PD2-PD5 in Pin Array mode and D0-D3 in 10T mode	Low
DDC	DDC pin is connected to PD6 in Pin Array mode and DDC in 10T mode	Low
RPD	RPD pin is connected to PD7 in Pin Array mode and RPD in 10T mode	Low

CONTROL		SI8651 Switch Function	
SEL	PD	An - Bn	An - Cn
LOW	LOW		
HIGH	LOW		