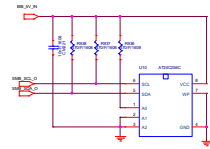
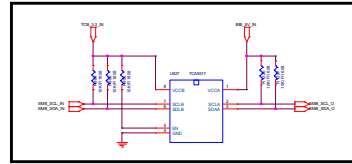
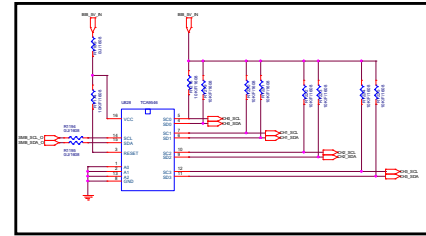


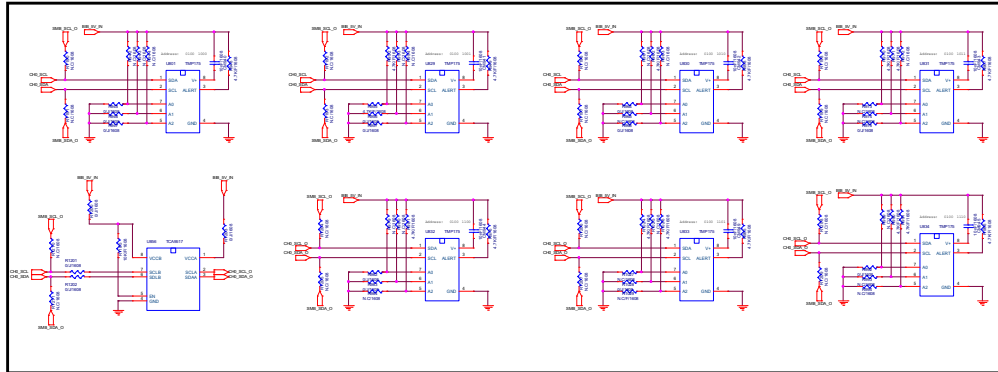
As voltage level shifter



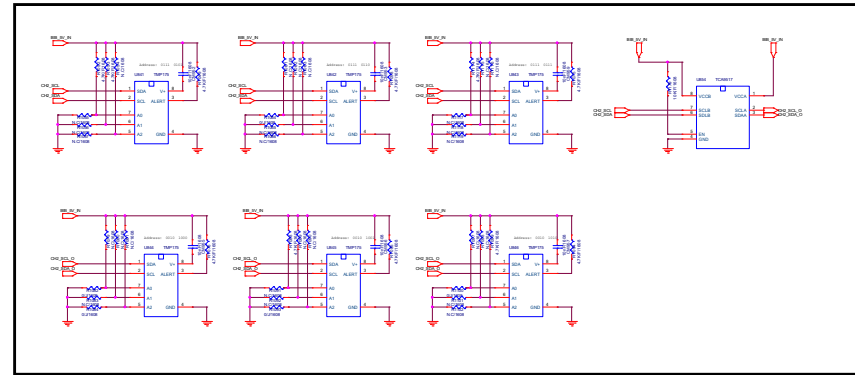
I2C Switch 4ch



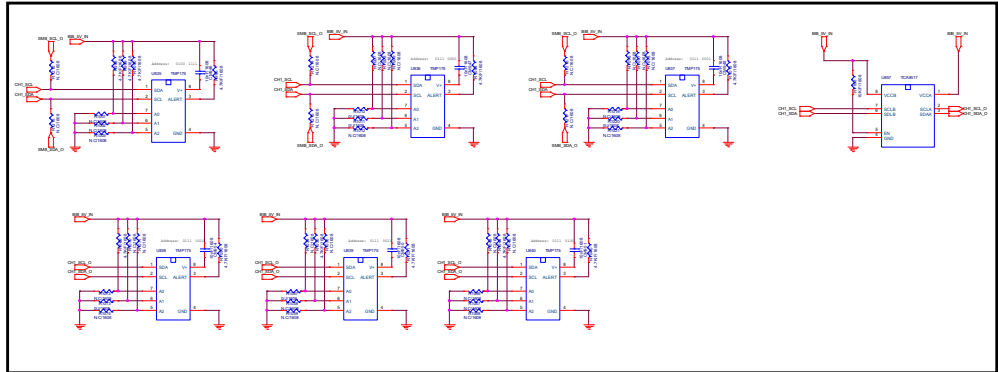
CH0 = device 4 + buffer + device 3



CH2 = device 3 + buffer + device 3



CH1 = device 3 + buffer + device 3



CH3 = device 4 + buffer + device 3

