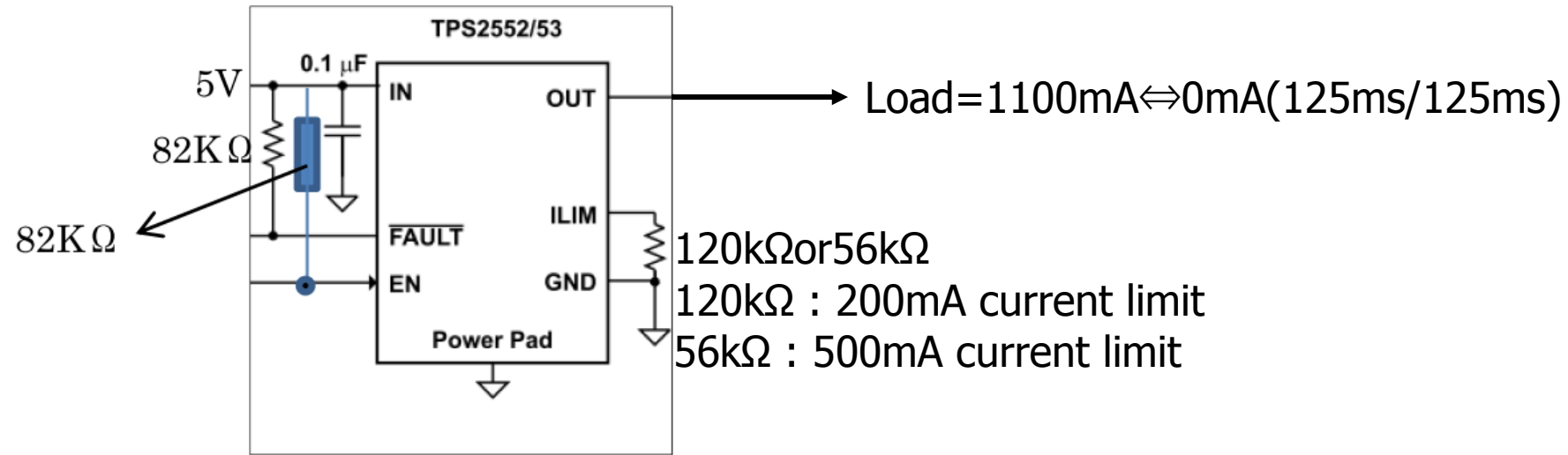
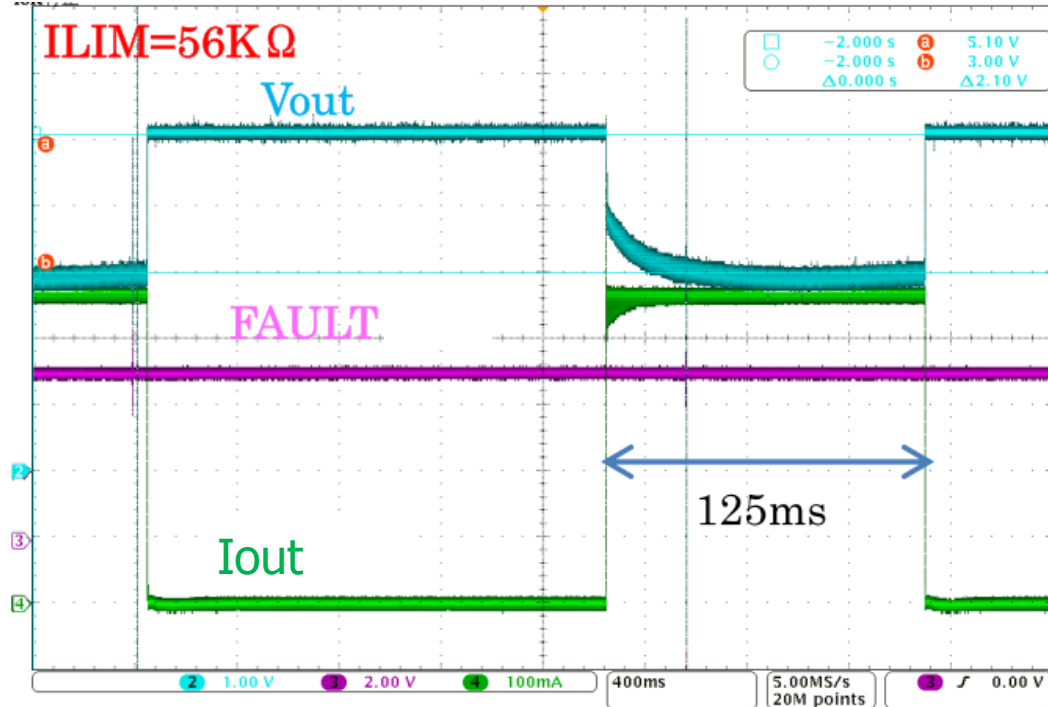


## <Circuit>



## <Wave form>



## <Question>

In case of 120k $\Omega$  : 200mA current limit  
->After Iout=1100mA flowed, the current was clamped 200mA, after 8~9mA, Fault became low level.  
It was correct operation.

In case of 56k $\Omega$  : 500mA current limit  
->After Iout=1100mA flowed, the current was clamped 500mA, however Fault didn't become low level.  
(Please refer to left waveform.)  
Fault kept high level. So, was it correct operation?  
Current limit level was correct, however it seem that Fault output was not correct operation.  
If you have some advice, could you let us know?