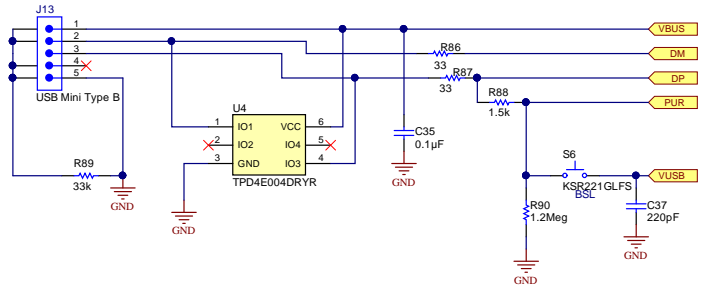
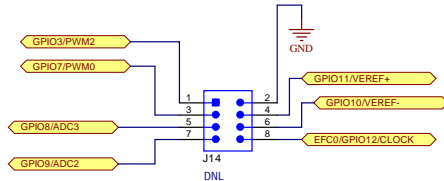


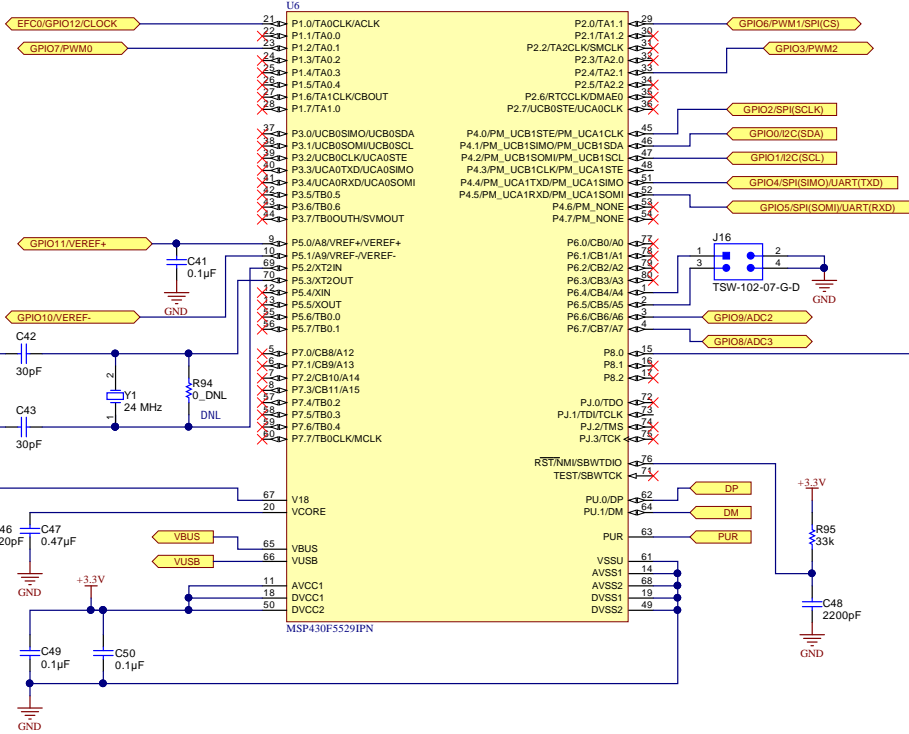
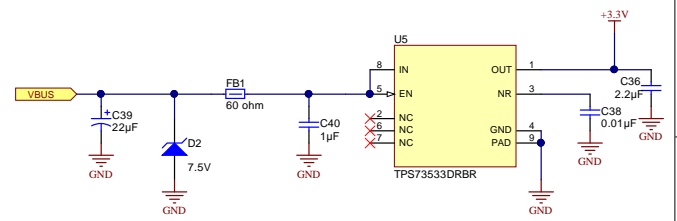
USB PORT



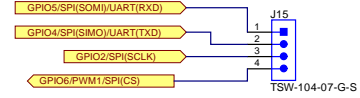
Receptacle for 4x2 header in case any of the USB2ANY GPIOs are to be used. Leave as DNP at assembly



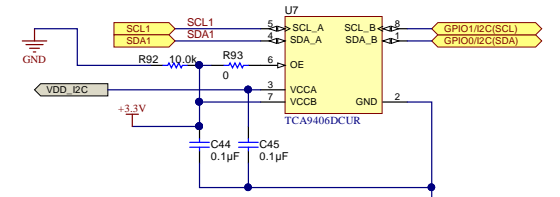
USB-TO-3.3V REGULATOR
NOTE: NO POWER DISTRIBUTION SWITCH NEEDED FOR EXT 3.3V SUPPLY

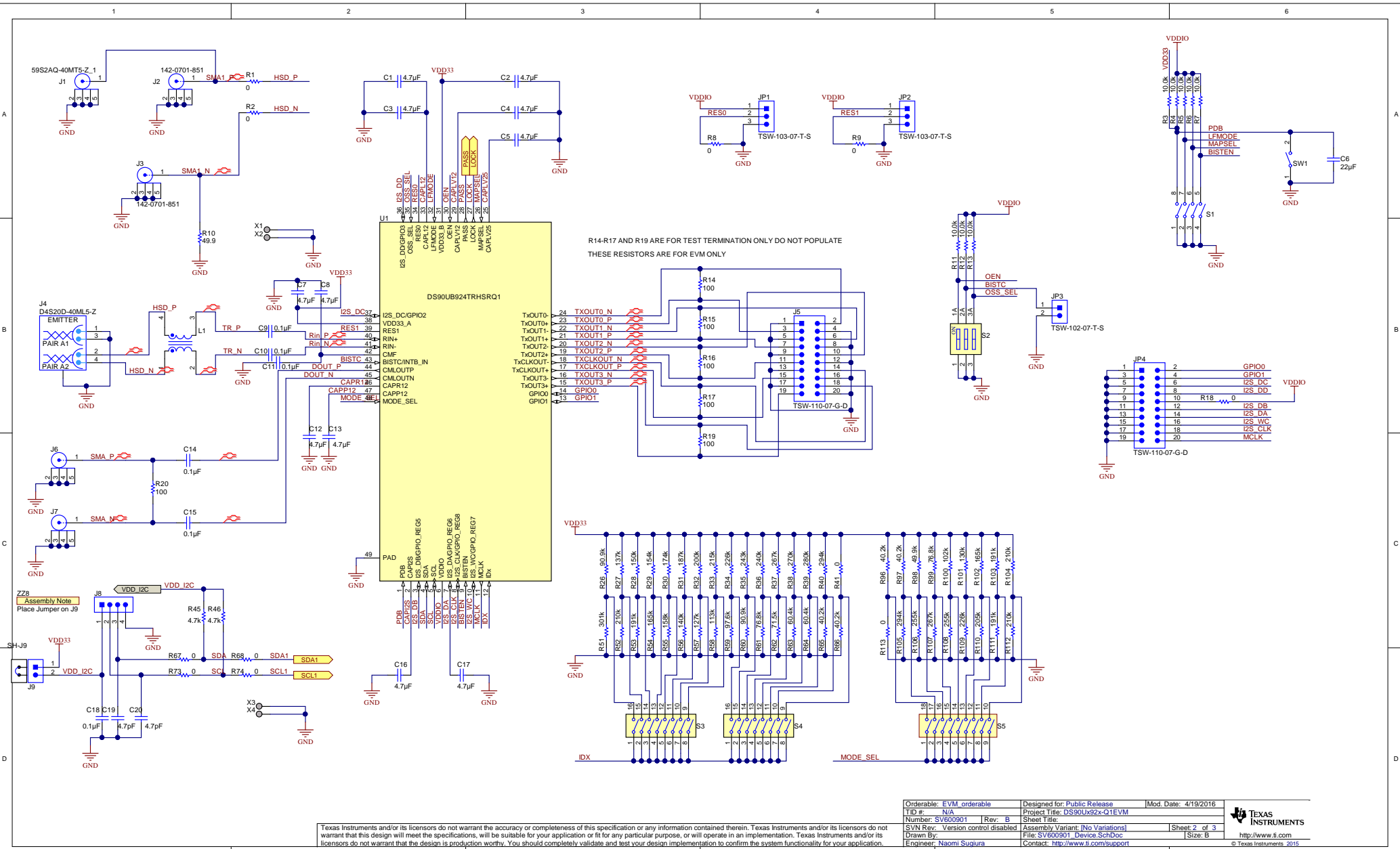


HEADER FOR SPI MODE COMMUNICATION



LEVEL SHIFTER





R14-R17 AND R19 ARE FOR TEST TERMINATION ONLY DO NOT POPULATE
THESE RESISTORS ARE FOR EVM ONLY

ZZ8
Assembly Note
Place Jumper on J9

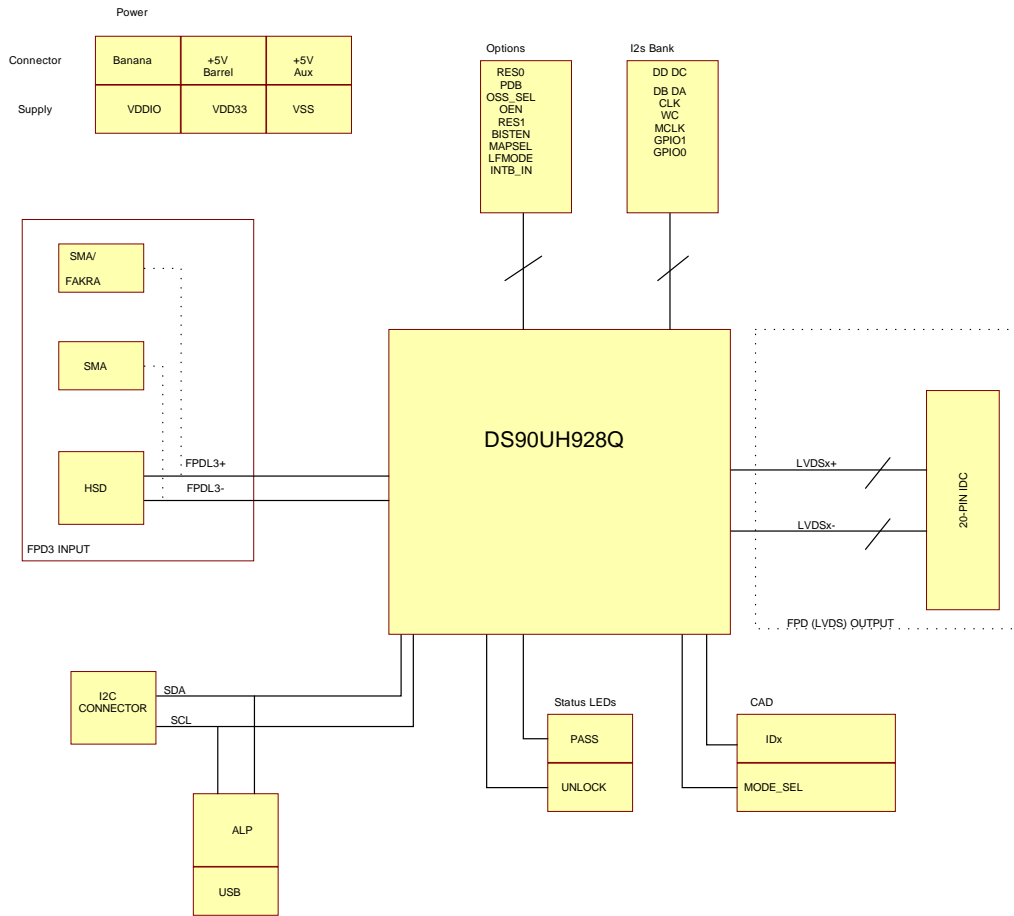
Texas Instruments and/or its licensors do not warrant the accuracy or completeness of this specification or any information contained therein. Texas Instruments and/or its licensors do not warrant that this design will meet the specifications, will be suitable for your application or fit for any particular purpose, or will operate in an implementation. Texas Instruments and/or its licensors do not warrant that the design is production worthy. You should completely validate and test your design implementation to confirm the system functionality for your application.

Orderable: EVM orderable	Designed for: Public Release	Mod. Date: 4/19/2016
TID #: N/A	Project Title: DS90UB924-Q1EVM	
Number: SV600901	Rev: B	Sheet Title:
SVN Rev: Version control disabled	Assembly Variant: [No Variations]	Sheet: 2 of 3
Drawn By:	File: SV600901_Device_Sch.Doc	Size: B
Engineer: Naomi Suojara	Contact: http://www.ti.com/support	

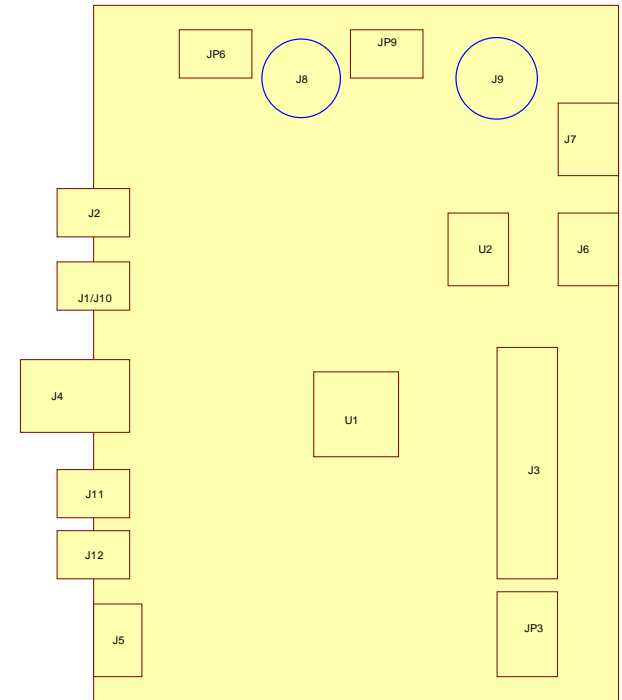


© Texas Instruments 2015

Board Block Diagram



Approximate layout of major components/connectors





X and Y are 315 Mils, hole is 126 mils



PCB Number: SV600901
PCB Rev: B

PCB LOGO
Texas Instruments

PCB LOGO
Pb-Free Symbol

PCB LOGO
FCC disclaimer

Label Table	
Variant	Label Text
001	DS90UB928QEVM
002	DS90UH928QEVM
003	DS90UB924-Q1EVM

LBL1

PCB Label

Size: 1.25" x 0.25"

ZZ1

Label Assembly Note

This Assembly Note is for PCB labels only

ZZ2

Assembly Note

These assemblies are ESD sensitive, ESD precautions shall be observed.

ZZ3

Assembly Note

These assemblies must be clean and free from flux and all contaminants. Use of no clean flux is not acceptable.

ZZ4

Assembly Note

These assemblies must comply with workmanship standards IPC-A-610 Class 2, unless otherwise specified.

Orderable: EVM_orderable	Designed for: Public Release	Mod. Date: 4/18/2016
TID #: N/A	Project Title: DS90Ux92x-Q1EVM	
Number: SV600901	Rev: B	Sheet: 3 of 3
Drawn By: SVN Rev: Version control disabled	Assembly Variant: [No Variations]	Size: B
Engineer: Naomi Sugiura	File: SV600901_EVM_Hardware_SchDoc	Contact: http://www.ti.com/support

Texas Instruments and/or its licensors do not warrant the accuracy or completeness of this specification or any information contained therein. Texas Instruments and/or its licensors warrant that this design will meet the specifications, will be suitable for your application or fit for any particular purpose, or will operate in an implementation. Texas Instruments and/or its licensors do not warrant that the design is production worthy. You should completely validate and test your design implementation to confirm the system functionality for your application. <http://www.ti.com>

