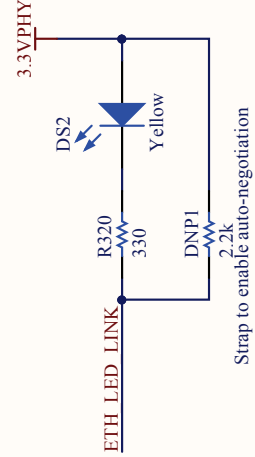
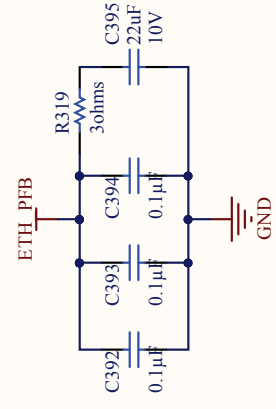
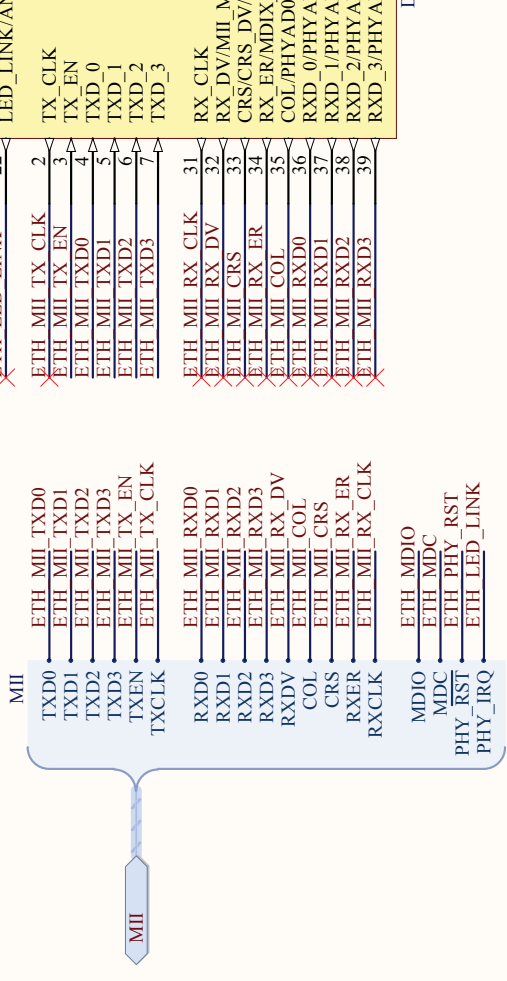
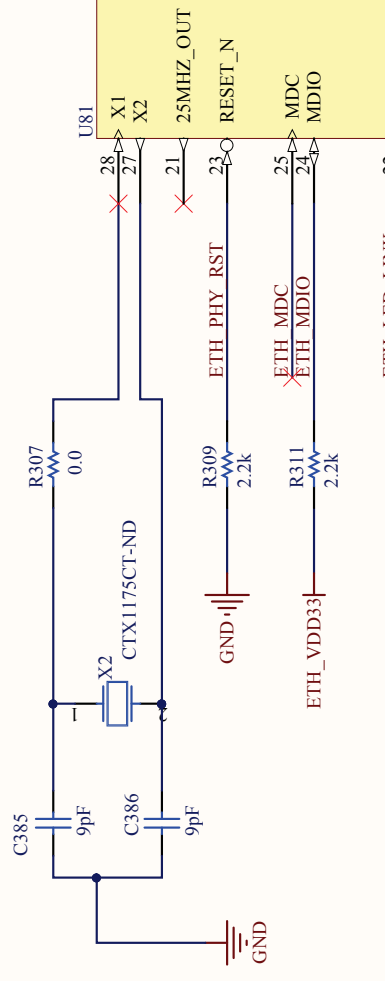
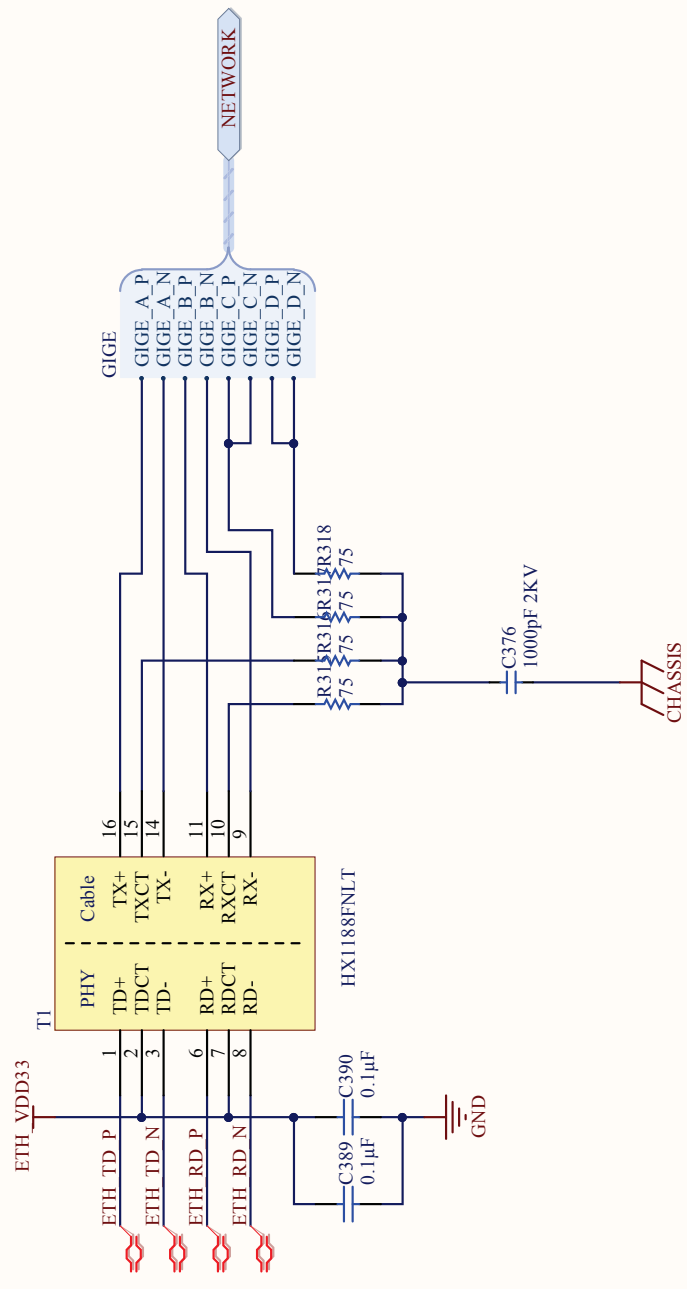
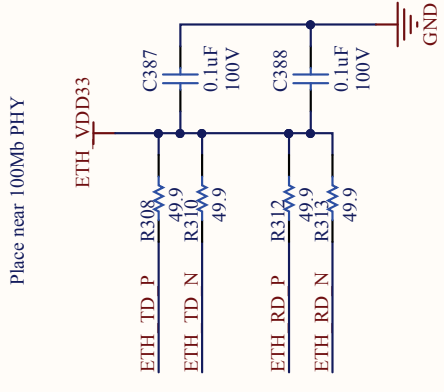


Second crystal used so MCU/PHY can be reset independently  
MCO from MCU not available due to pin conflict with I2C



Default PHY strap options (if pins left floating):  
 PHYAD[4:0] = 5'b00001 = MDIO address  
 {AN\_EN, AN1, AN0} = 3'b111 = advertise 10Mb or 100Mb and Half or Full-duplex  
 {MII\_MODE, SMI\_MODE} = 2'b00 = MII mode  
 LED\_CFG = 1'b1 = LED mode 1  
 MDIX\_EN = 1'b1 = auto-MDIX enabled  
 Some can be changed by software via MDIO.  
 Need to ensure pins allowed to float when PHY brought out of reset!



Project Name: PSSI4 Interface	Revision: REV0
Sheet Name: Physical Layer	Date: 12/10/2015
File: PHY_SchDoc	Size: B
Engineer: D. Pacella	Sheet: 3 / 29

This drawing is subject to the export control laws of the United States and the International Traffic in Arms Regulations ("ITAR") or the Export Administration Regulations ("EAR"). The transfer of this product, technology or service outside the United States or to a foreign person within the United States is not authorized without the prior written approval of the US Government. Persons found to have violated the export control laws of the United States, the ITAR and/or the EAR may be subject to administrative, civil and criminal penalties, including fines and imprisonment.

Original Author: Dan Strother

DRAWING IS THE SOLE PROPERTY OF CARNEGIE ROBOTICS LLC. ANY REPRODUCTION IN PART OR AS A WHOLE WITHOUT THE WRITTEN PERMISSION OF CRL IS PROHIBITED