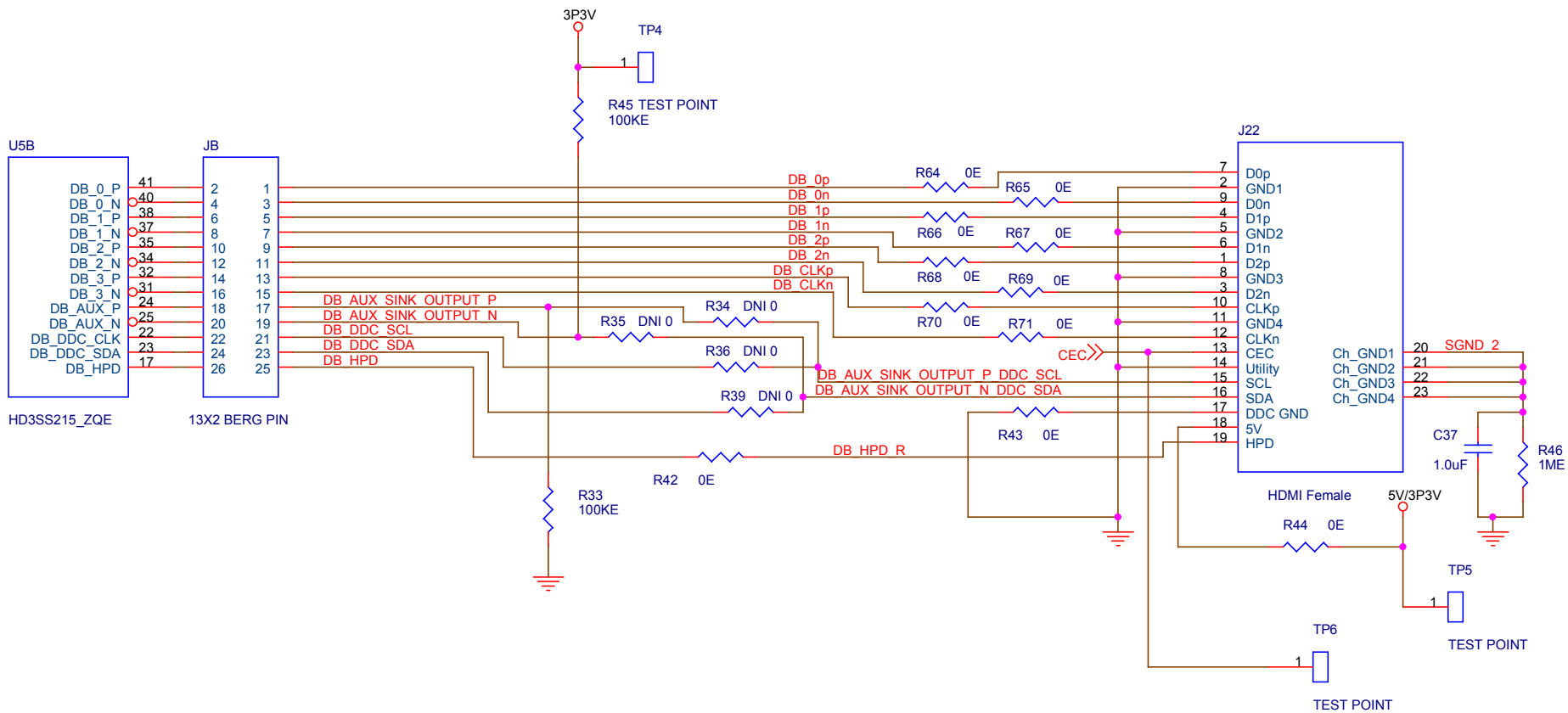
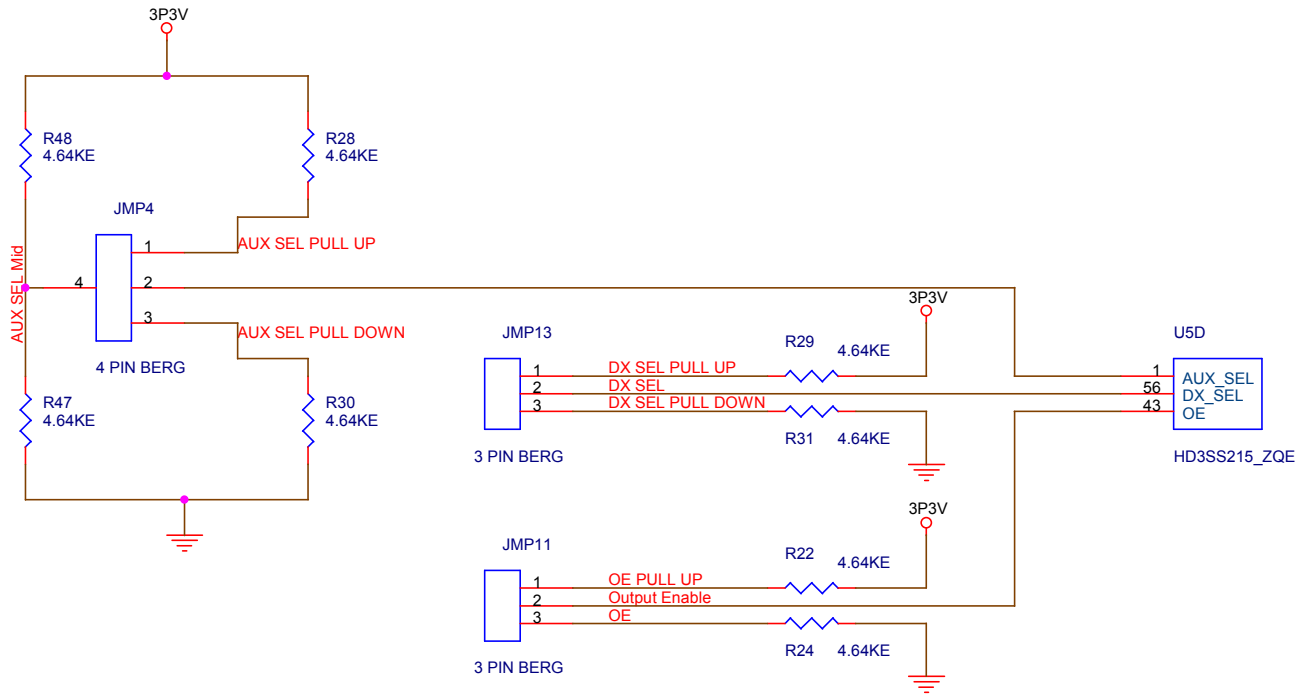


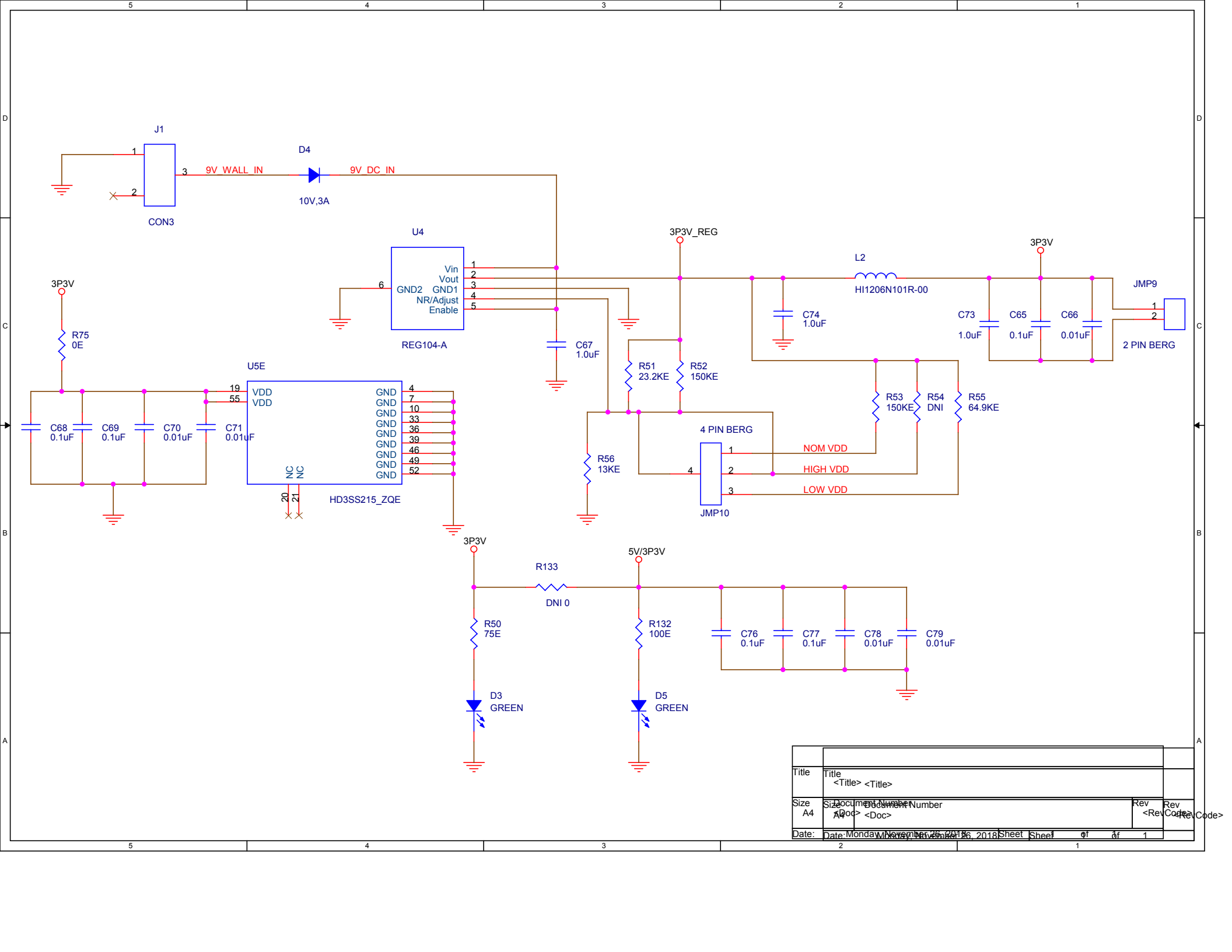
Title			<Title>
Size	Document Number		Rev
A4	<Doc>		<RevCode>
Date:	Monday, November 26, 2018	Sheet	1 of 1



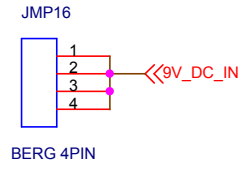
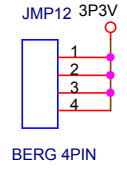
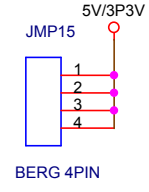
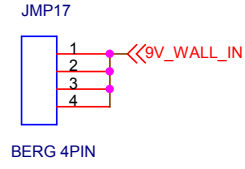
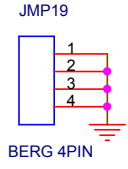
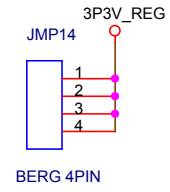
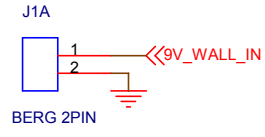
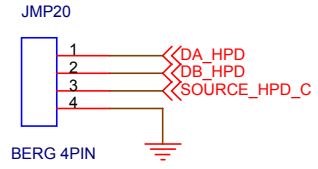
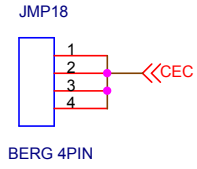
Title	Title <Title>		Rev	Rev Code
Size	Size	Document Number	Rev	Rev Code
A4	A4	<Doc>	<Rev>	<Code>
Date:	Date: Monday, November 26, 2018	Sheet	Sheet	of
		2	1	1



Title	<Title> <Title>		Rev	Rev Code
Size	A4	Document Number	Rev	Rev Code
Date:	Monday, November 26, 2018	Sheet 1 of 1	1	



Title	<Title> <Title>		
Size	A4	Document Number	Rev
Date:	Monday, November 26, 2018	Sheet 1 of 1	Rev Code



Title	<Title> <Title>		
Size	A4	Document Number	Rev <Rev Code>
Date:	Monday, November 26, 2018	Sheet 1 of 1	Rev Code