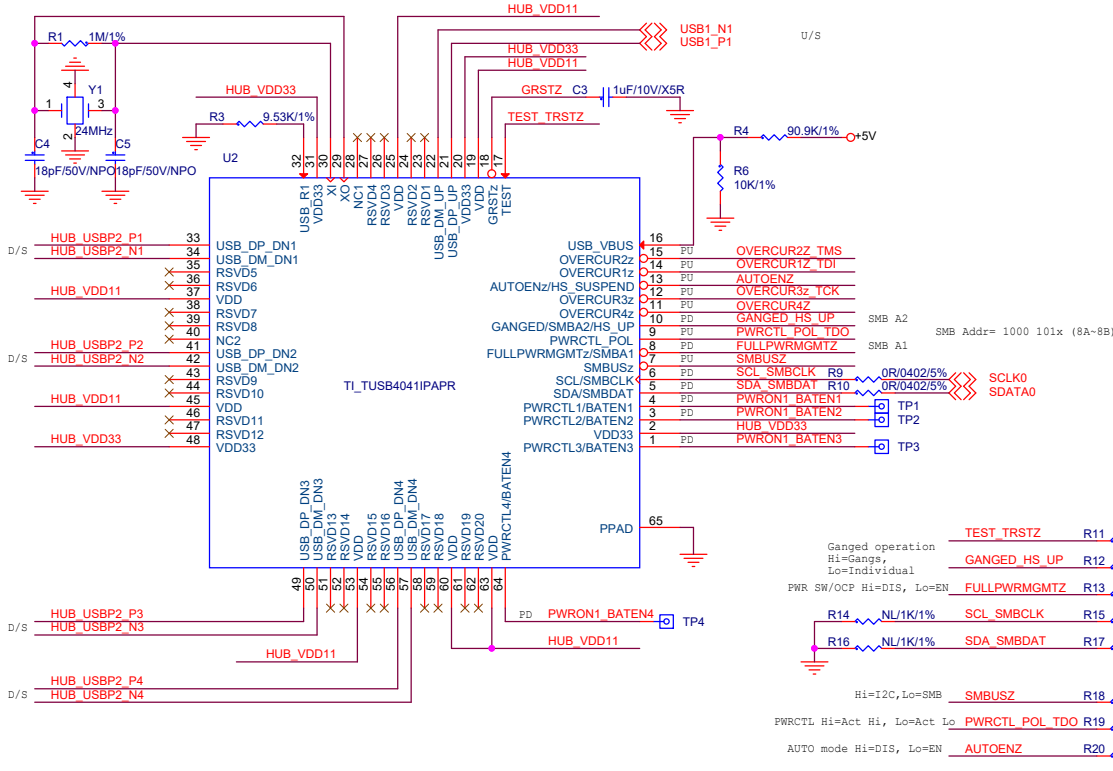
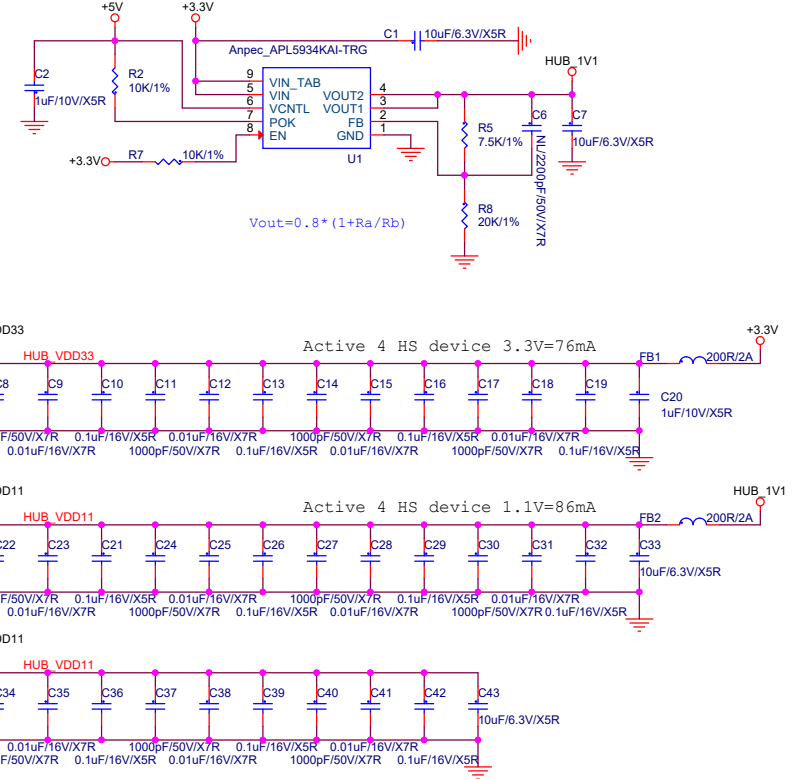


USB 2.0 HUB



+1.1V USB2.0 4 Port HUB @ 86mA, Vin = 3.3V



Internal USB 2.0 Header

