

I2C addr = 0x4E = b 0100 111rw

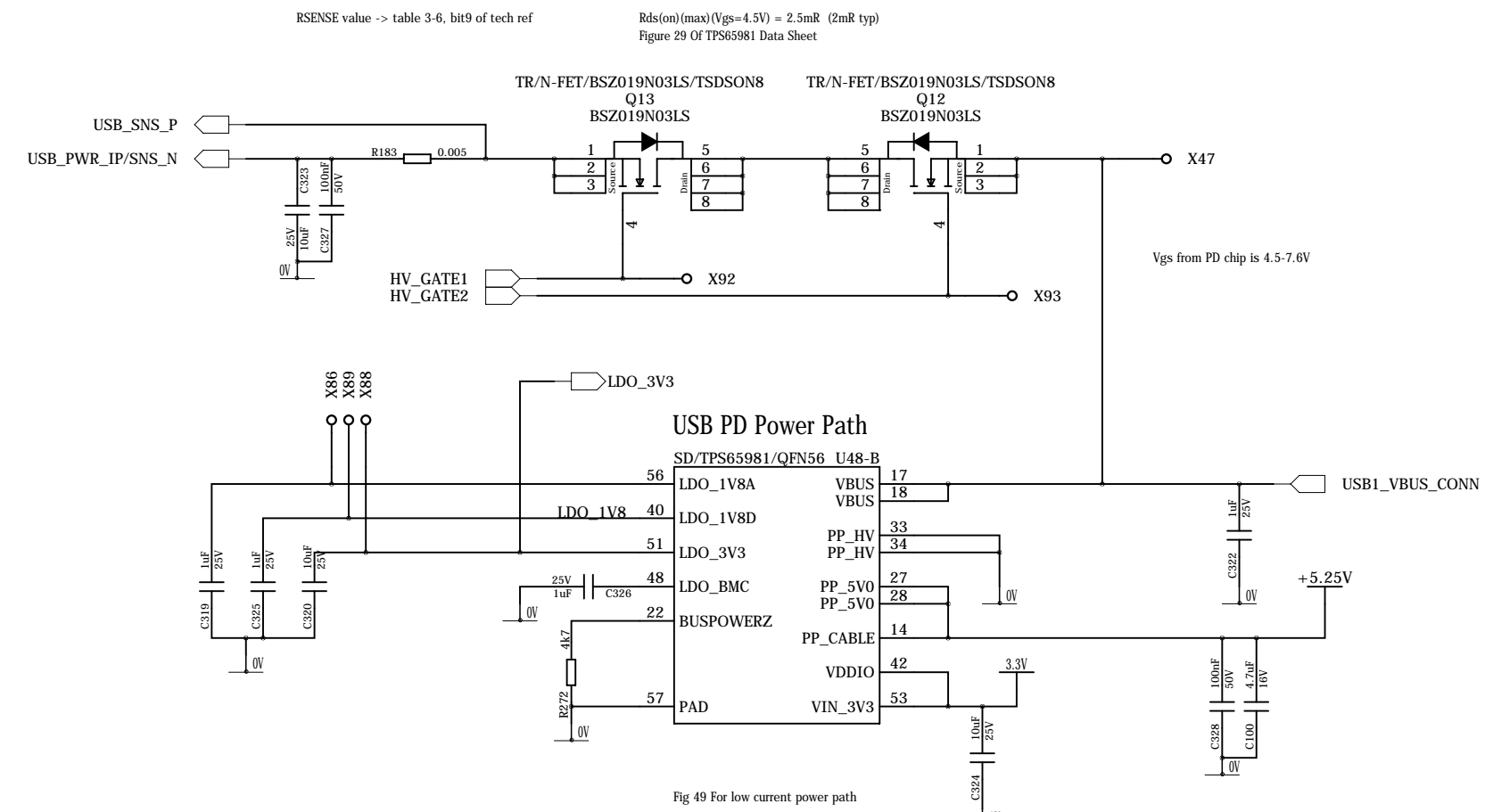


Fig 49 For low current power path