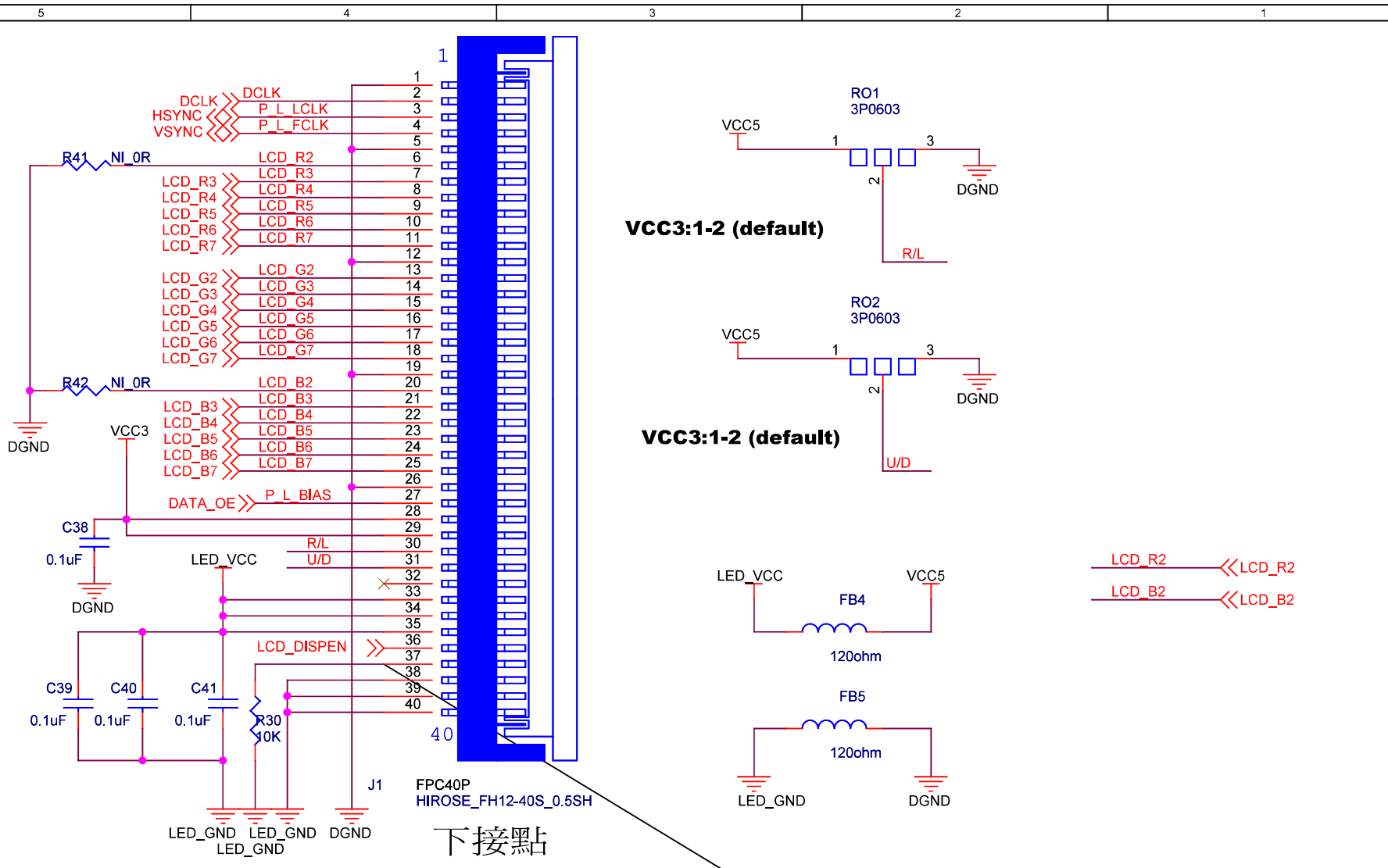
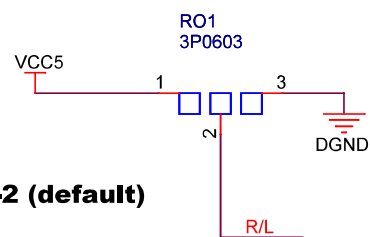


$V_{out} = 0.768 * (1 + R48/R49)$

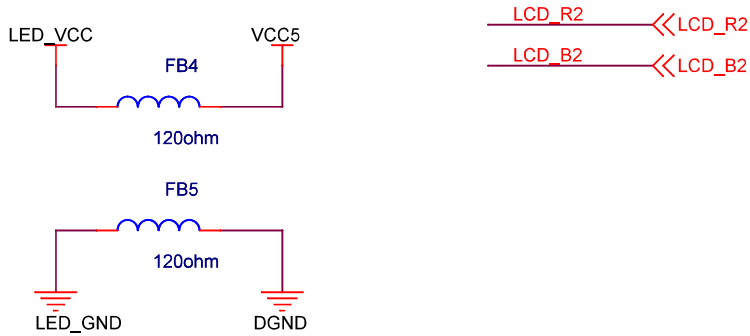
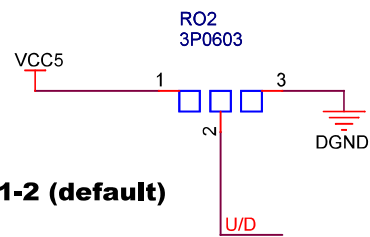
SZ Technologies, Inc.		
File	LVDS Receiver & 6.2" LCD	
Size	Document Number	Rev
C	LVDS6LCDR2_43.DSN	V08
Date:	Wednesday, May 18, 2011	Sheet 1 of 3



VCC3:1-2 (default)



VCC3:1-2 (default)



6.2" TCG062HVLBC-G20-9X-13 TFT 640x240

BB11/12 PIN37 (VBRT) 改LOW

Title		
<Title>		
Size	Document Number	Rev
A	<Doc>	V09
Date:	Wednesday, May 16, 2018	Sheet 3 of 3