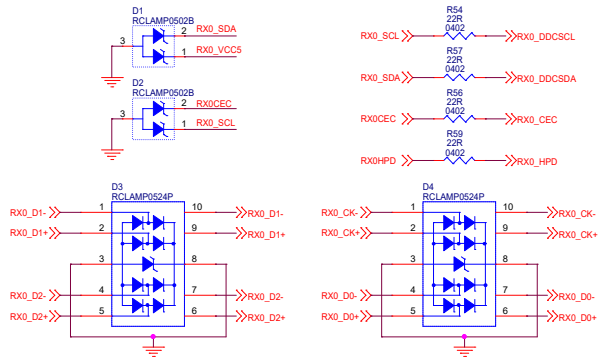
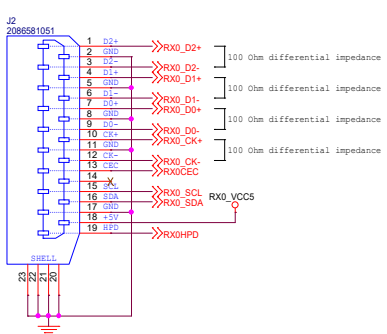
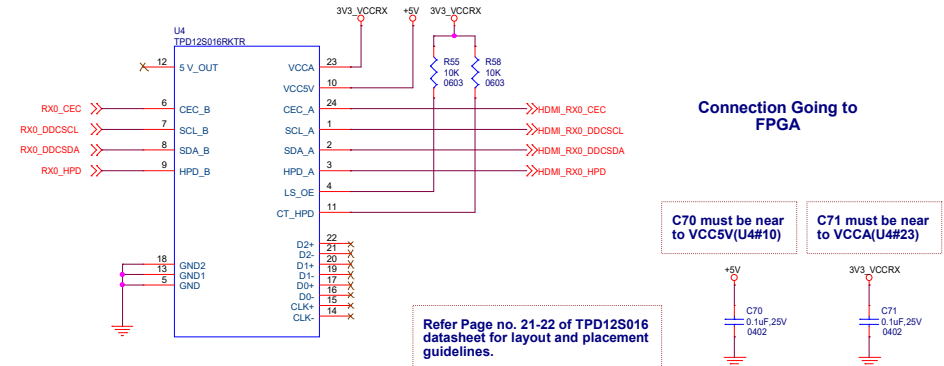


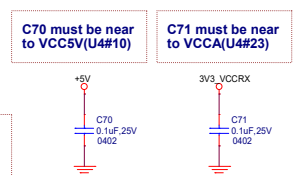
# HDMI Input



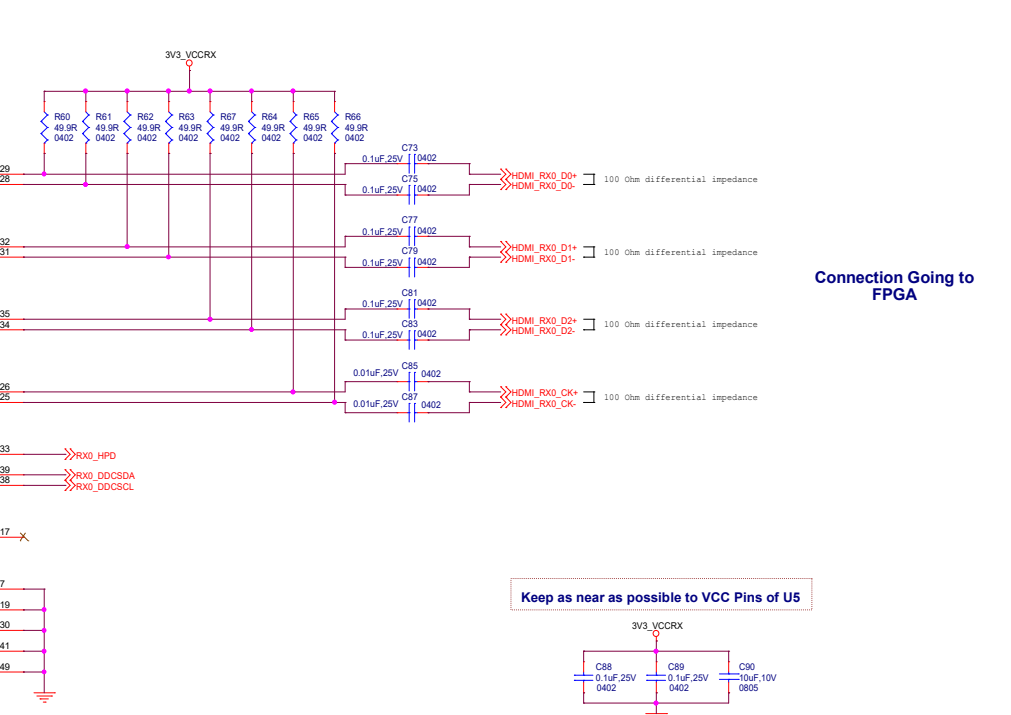
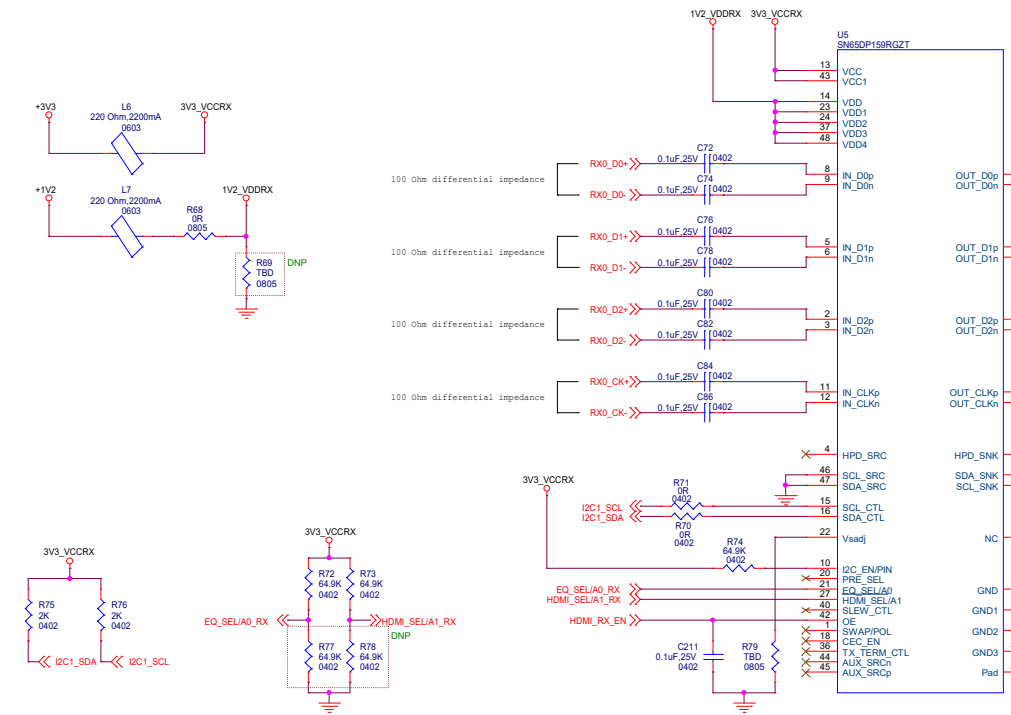
# TPD12S016 Level Shifter IC for I2C , CEC & HPD (5V to 3.3V)



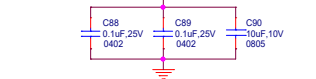
Refer Page no. 21-22 of TPD12S016 datasheet for layout and placement guidelines.



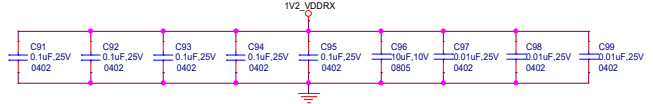
# SN65DP159 6-Gbps AC-Coupled TMS™ to HDMI™ Level Shifter Retimer IC



Keep as near as possible to VCC Pins of U5



Keep as near as possible to VDD Pins of U5

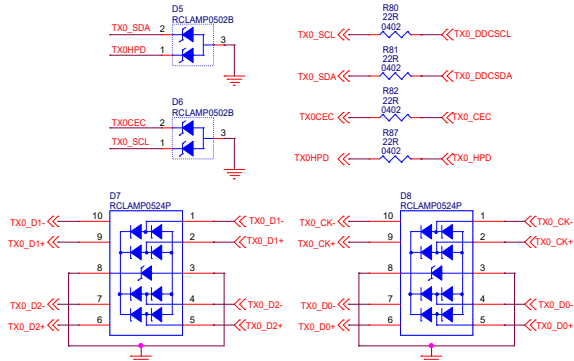
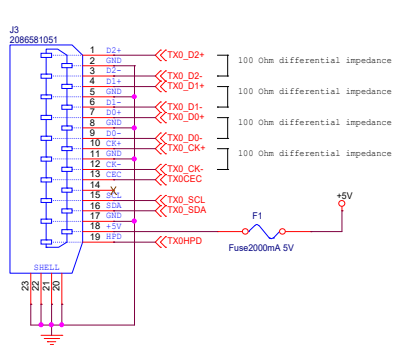


Refer Page no. 50 to 52 of SN65DP159 datasheet for layout and placement guidelines.

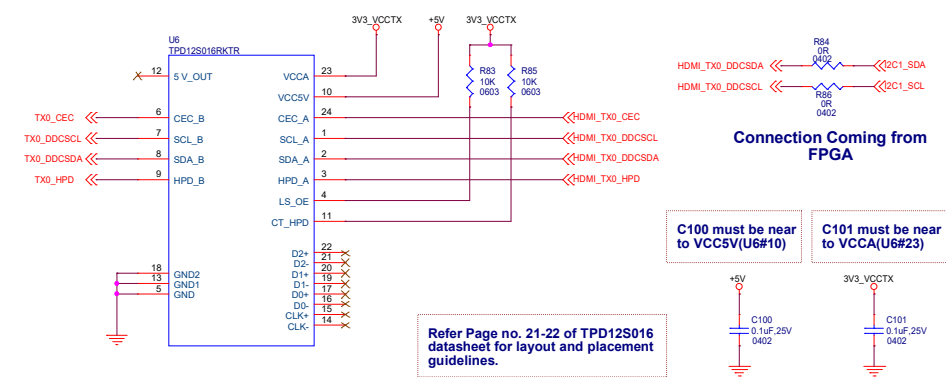
I<sup>2</sup>C Device Address Description

A1/A0	SNx5DP159 I <sup>2</sup> C Device Address							ADD	
	7 (MSB)	6	5	4	3	2	1		0 (W/R)
00	1	0	1	1	1	1	0	0/1	BC/BD
01	1	0	1	1	1	0	1	0/1	BA/BB
10	1	0	1	1	1	0	0	0/1	B8/B9
11	1	0	1	1	0	1	1	0/1	B6/B7

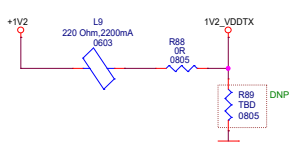
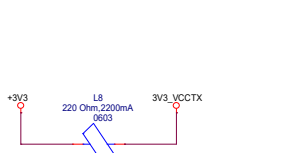
## HDMI Output



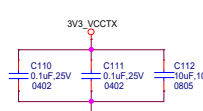
## TPD12S016 Level Shifter IC for I2C , CEC & HPD (3.3V to 5V)



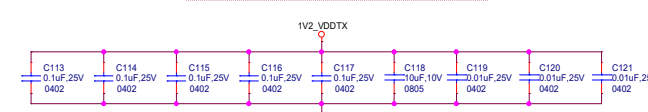
## SN65DP159 6-Gbps AC-Coupled TMSD™ to HDMI™ Level Shifter Retimer IC



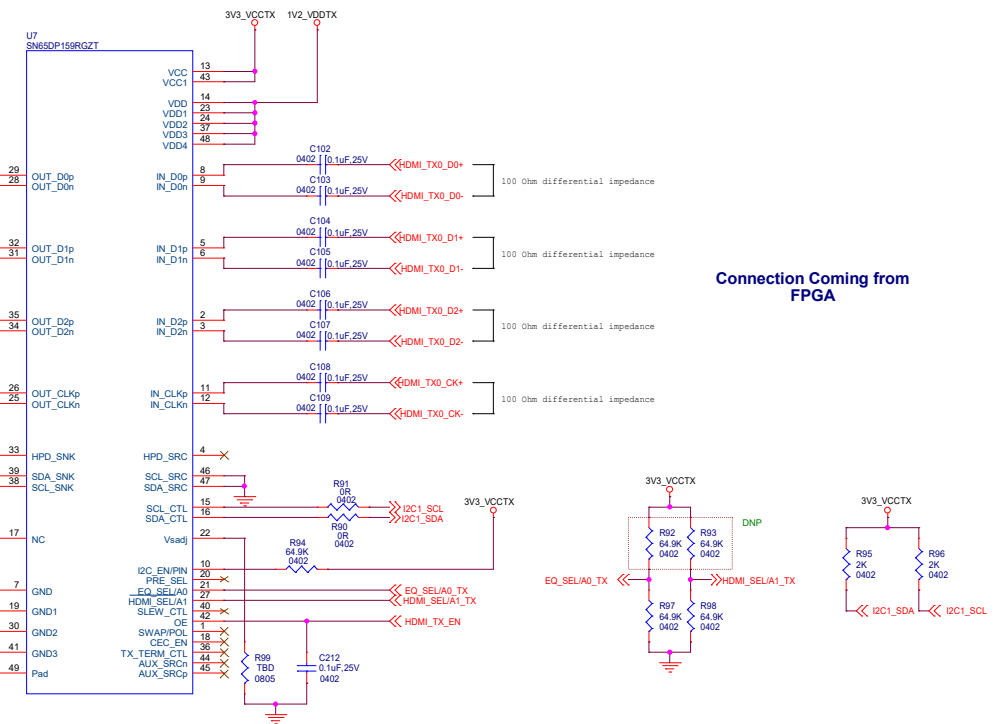
Keep as near as possible to VCC Pins of U7



Keep as near as possible to VDD Pins of U7



Refer Page no. 50 to 52 of SN65DP159 datasheet for layout and placement guidelines.



### I<sup>2</sup>C Device Address Description

A1/A0	SNx5DP159 I <sup>2</sup> C Device Address							ADD	
	7 (MSB)	6	5	4	3	2	1		0 (W/R)
00	1	0	1	1	1	1	0	0/1	BC/BD
01	1	0	1	1	1	0	1	0/1	BA/BB
10	1	0	1	1	1	0	0	0/1	B8/B9
11	1	0	1	1	0	1	1	0/1	B6/B7