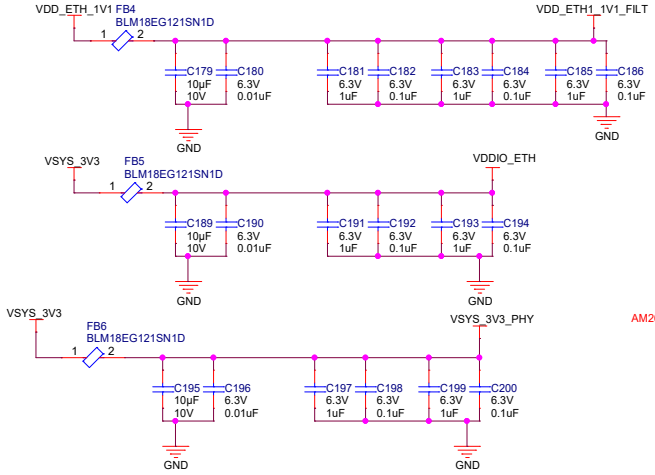
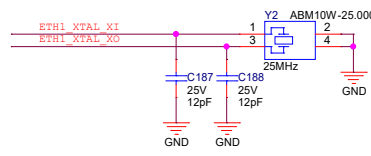


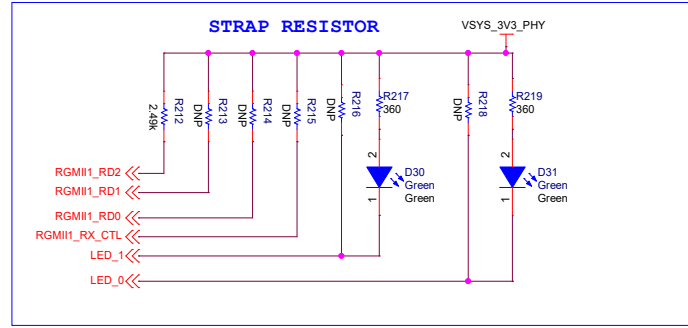
PHY Decoupling



25 MHz Crystal



Oscillator Input Selection



ADDRESS	RX_CTRL	STRP_1
0X00	OPEN	OPEN
0X04	13K	OPEN
0X08	4.5K	OPEN
0X0C	OPEN	13K
0X10	OPEN	4.5K
0X12	13K	13K
0X13	4.5K	13K
0X14	13K	4.5K
0X15	4.5K	4.5K

Project : MC2600_M1_0

Schematic title : MC2600_M1_0_CONTROLLER

ENTUPLE	NAME	SIGNATURE	DATE	SHEET NAME : OUTPUT
Prepared by	Mr. TEJAS			Drawing No: 001
Checked by	Mr. UMESH			
Q&R				ISSUE:01 REV: NIL SHEET No: 11* 11