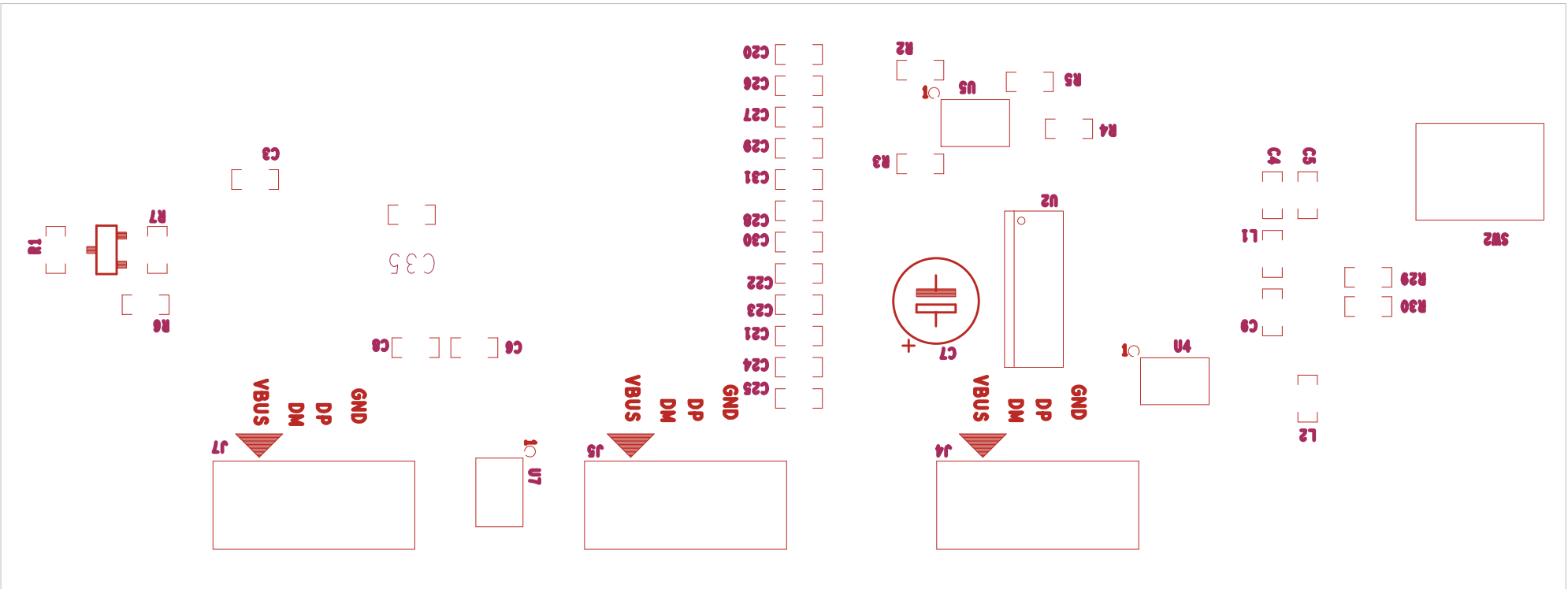
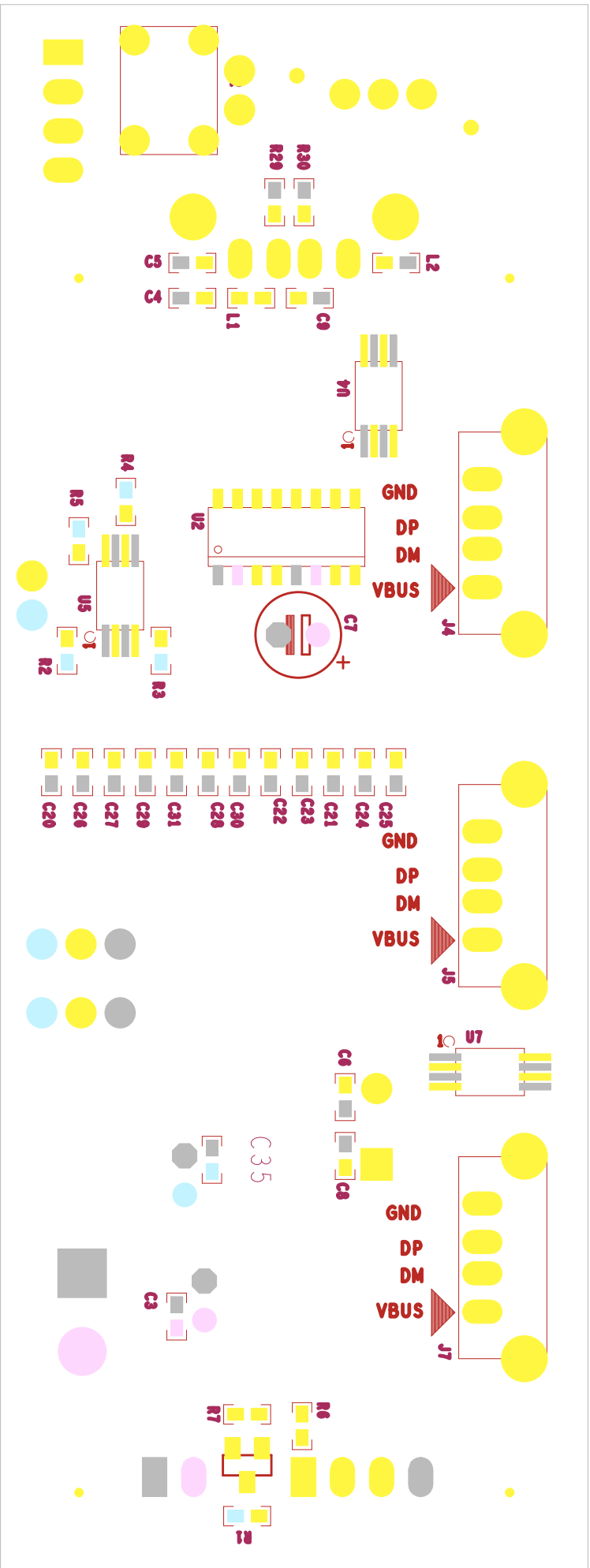


BOTTOM 071216

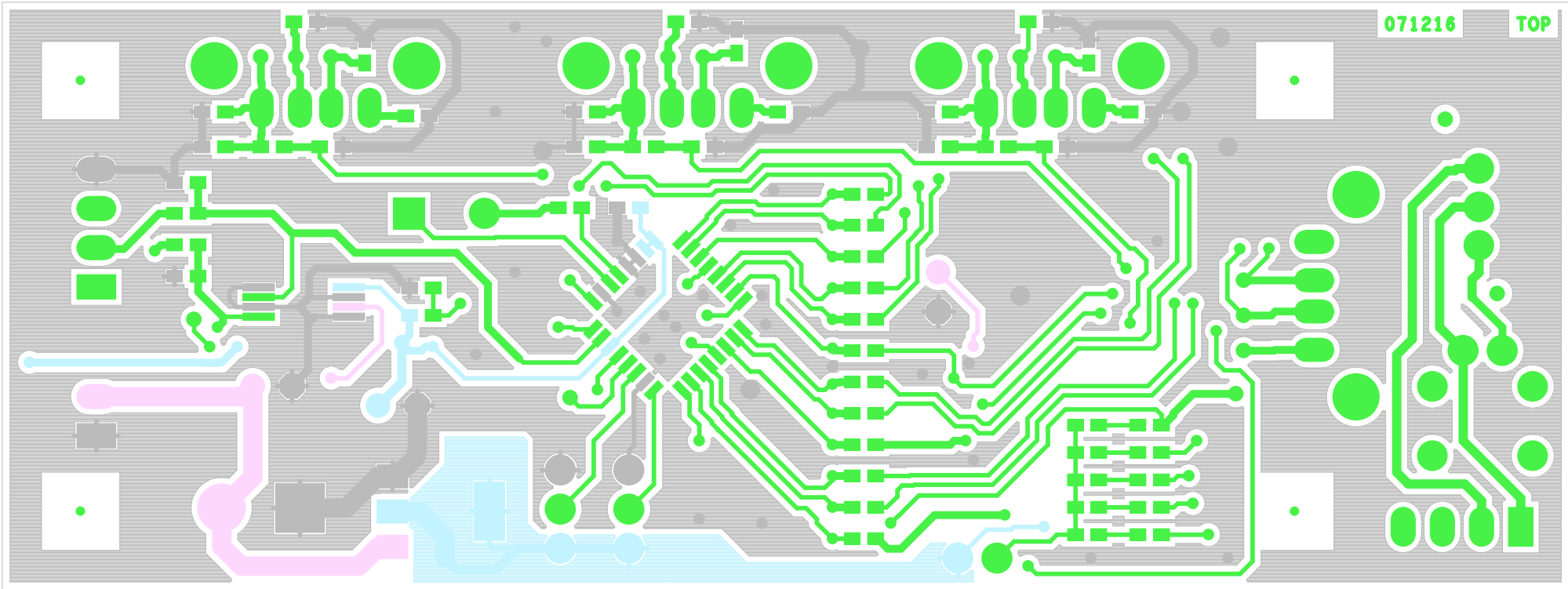
BOTTOM

ASSEMBLY BOTTOM





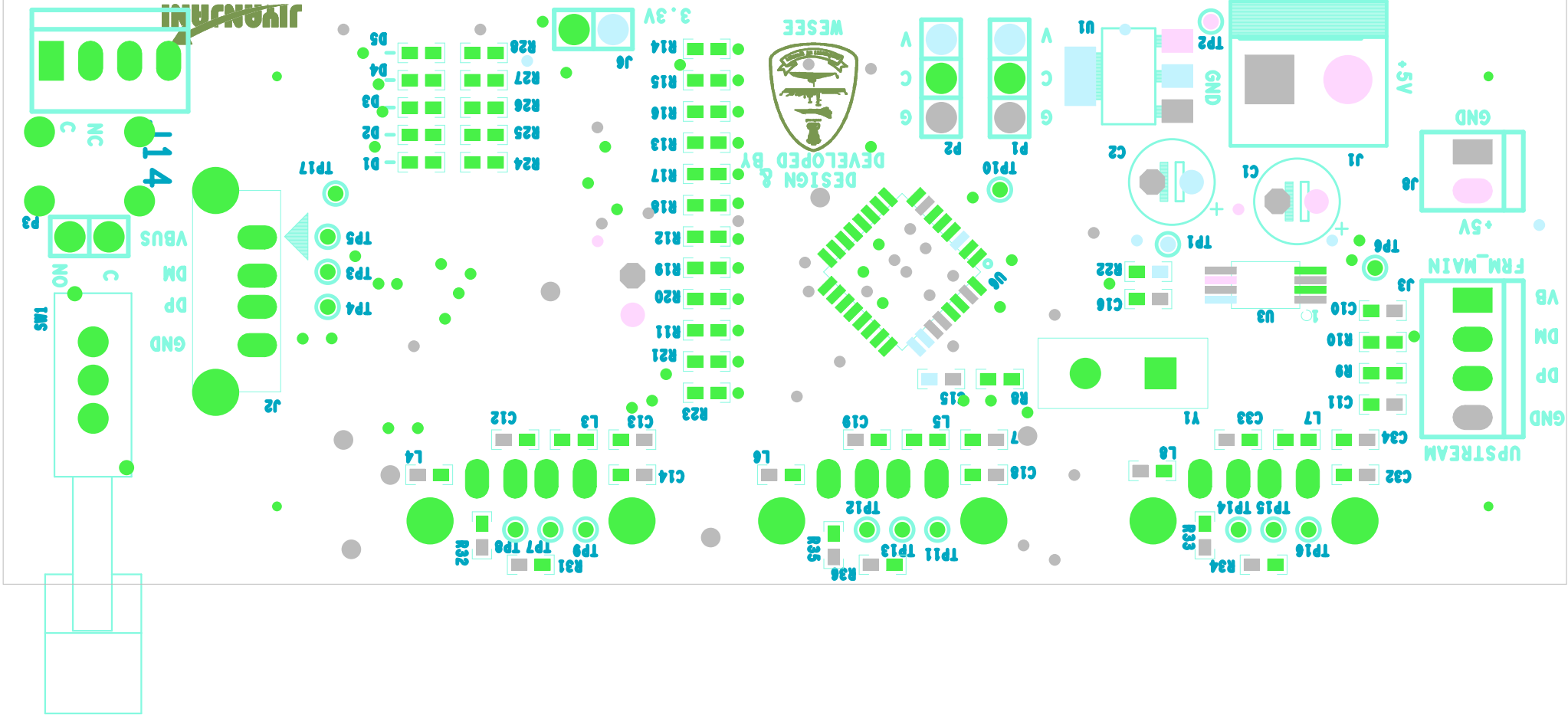
ASSEMBLY BOTTOM



071216

TOP

TOP



UPSTREAM
GND
DP
DM
VB
FRM_MAIN
+5V
GND
J8

+5V



3.3V

J4
NC
C

J2
GND
DP
DM
VBUS
C
NO
TMS

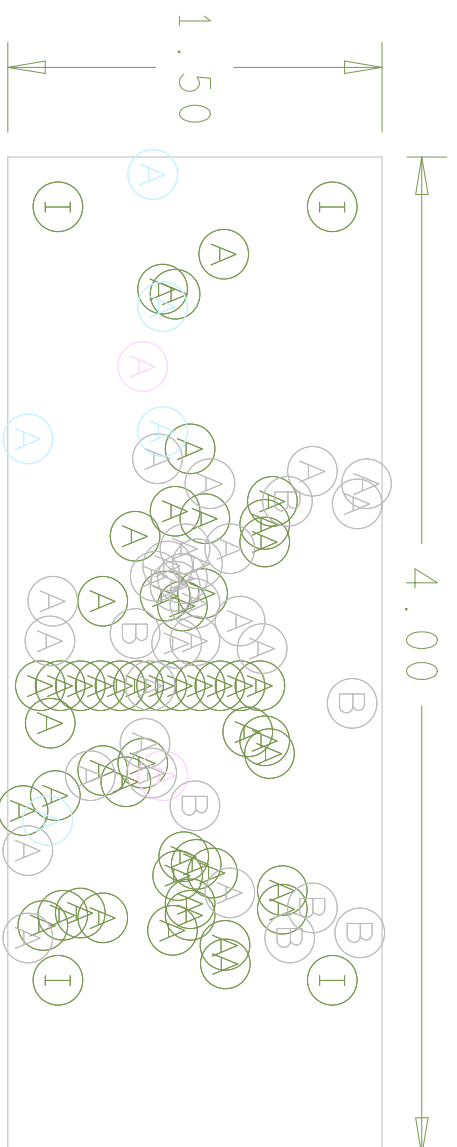
J6
GND
V
C
G

J3
GND
DP
DM
VB

J1
GND
V
C
G

J5
GND
V
C
G

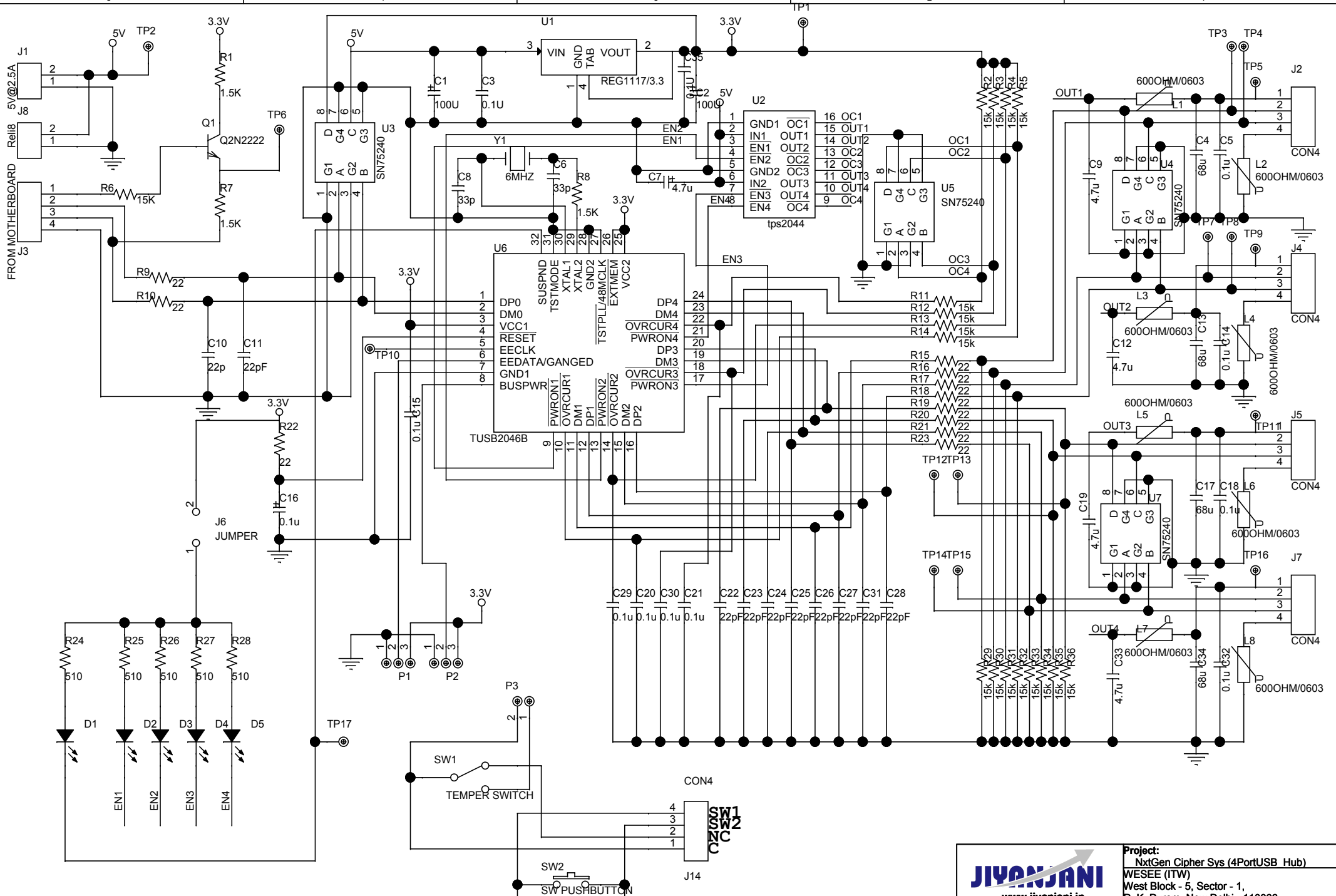
J7
GND
V
C
G




DRILL CHART: TOP to BOTTOM

ALL UNITS ARE IN MILS

FIGURE	SIZE	PLATED	QTY
(A)	19.68	PLATED	82
(B)	25.0	PLATED	7
(C)	32.0	PLATED	8
(D)	34.0	PLATED	18
(E)	40.0	PLATED	19
(F)	47.24	PLATED	2
(G)	63.0	PLATED	2
(H)	100.0	PLATED	8
(I)	125.0	NON-PLATED	4



 JIYANJANI www.jiyanjani.in info@jiyanjani.in	Project: NxtGen Cipher Sys (4PortUSB Hub) WESEE (ITW) West Block - 5, Sector - 1, R. K. Puram, New Delhi - 110066
	Drawn By = Parveen Sharma Checked By = Damanbir Singh Approved Dt =