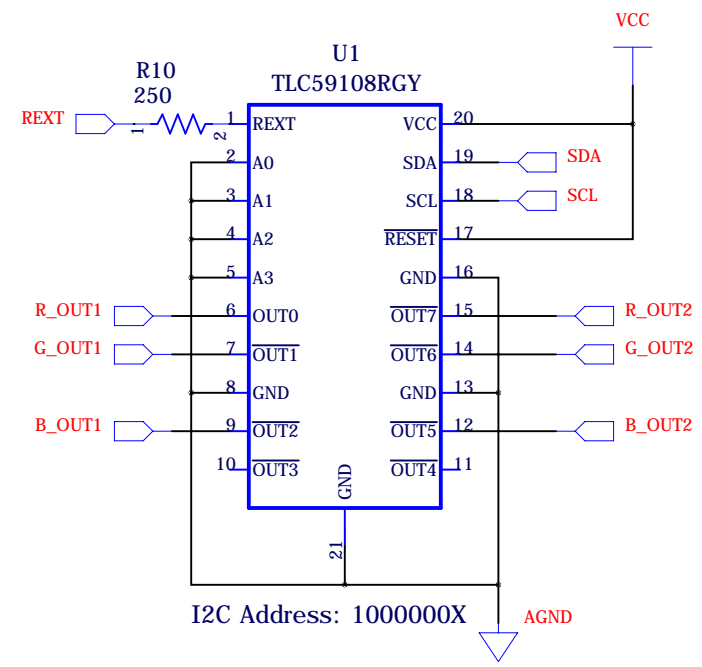
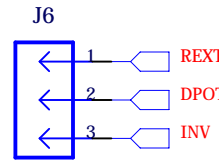
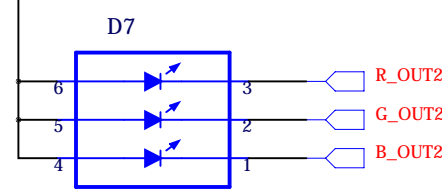
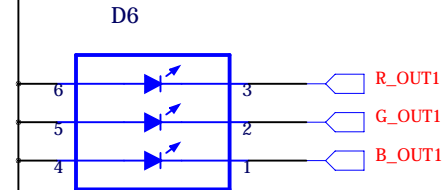
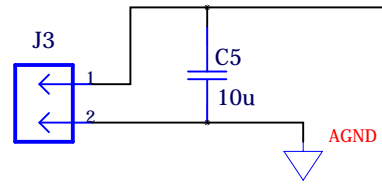


Texas Instruments		
Title 430Boost-TPL0401EVM		
Size B	Number	Rev 1.0
Date 8/19/2011	Drawn by	
Engineer Chris Kraft	Filename TPL0401 Final Schematic.sch	Sheet 1 of 3
8/19/2011		

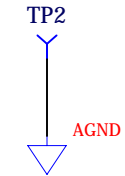
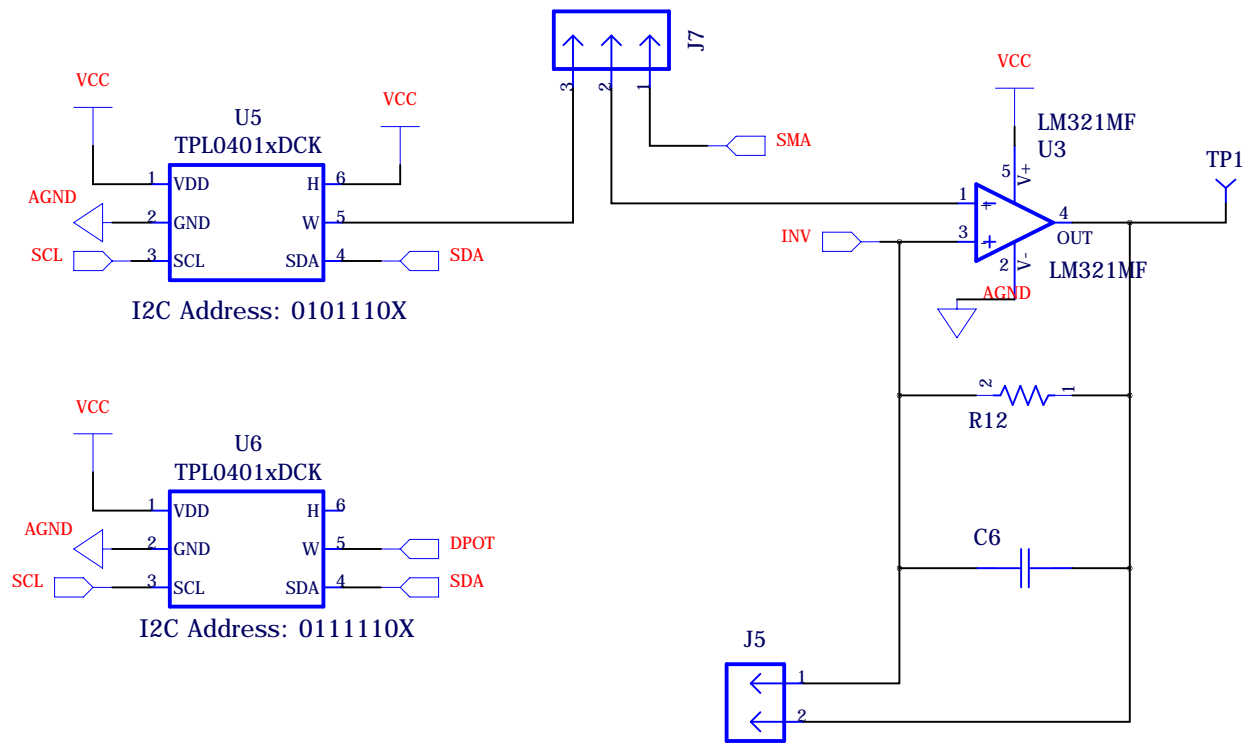
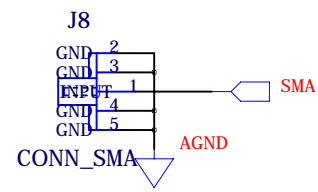
External 5V



Optional

Texas Instruments		
Title 430Boost-TPL0401EVM		
Size B	Number	Rev 1.0
Date 8/19/2011	Drawn by	
Engineer Chris Kraft	Filename TPL0401 Final Schematic.sch	Sheet 2 of 3

8/19/2011



Texas Instruments		
Title 430Boost-TPL0401EVM		
Size B	Number	Rev 1.0
Date 8/19/2011	Drawn by	
Filename TPL0401 Final Schematic.sch	Sheet 3 of 3	
8/19/2011		

Engineer Chris Kraft