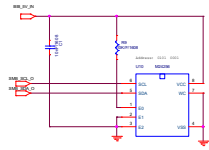
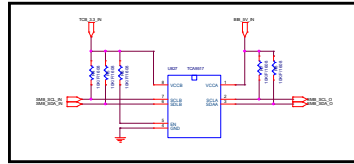
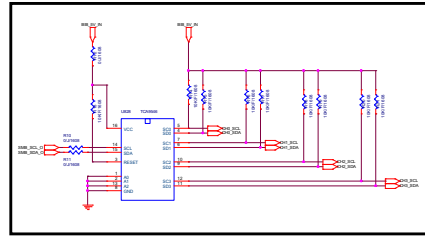


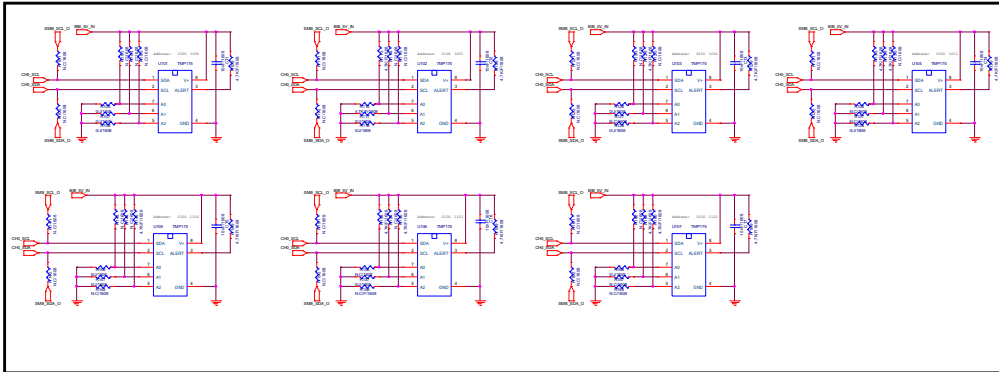
As voltage level shifter



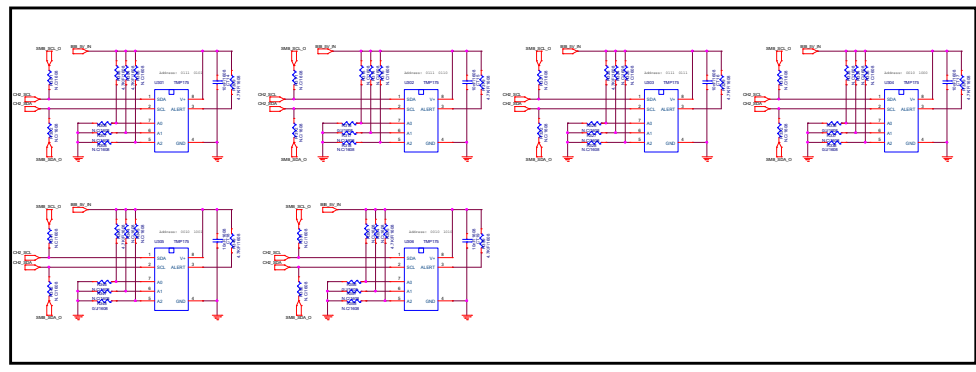
I2C Switch 4ch



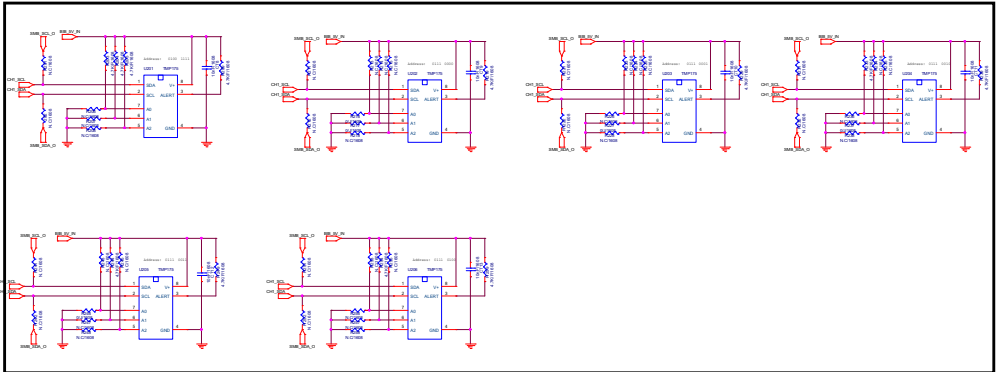
CH0 = device 7



CH2 = device 6



CH1 = device 6



CH3 = device 7

