

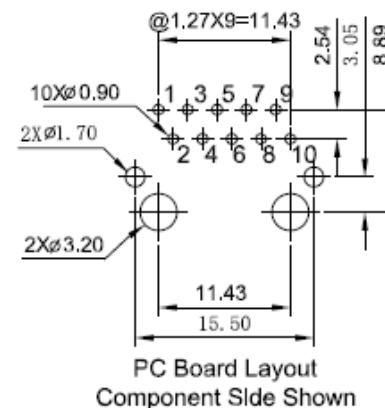
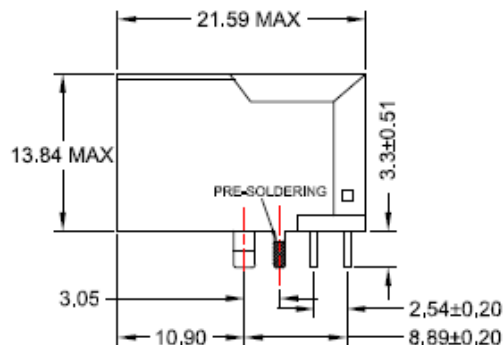
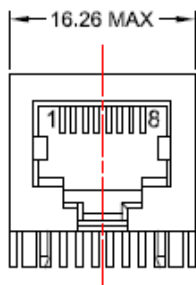
一、Mechanical Dimensions

表号: TE0115A

REV.	DESCRIPTION	DATE	DWN	AP'PD
1.0		20.12.17	Chen	Liu
1.1	Correct appearance	21.2.3	Xiao	Liu



YY:Year WW:Week



UNIT:mm Unless otherwise specified,all tolerances are ±0.25



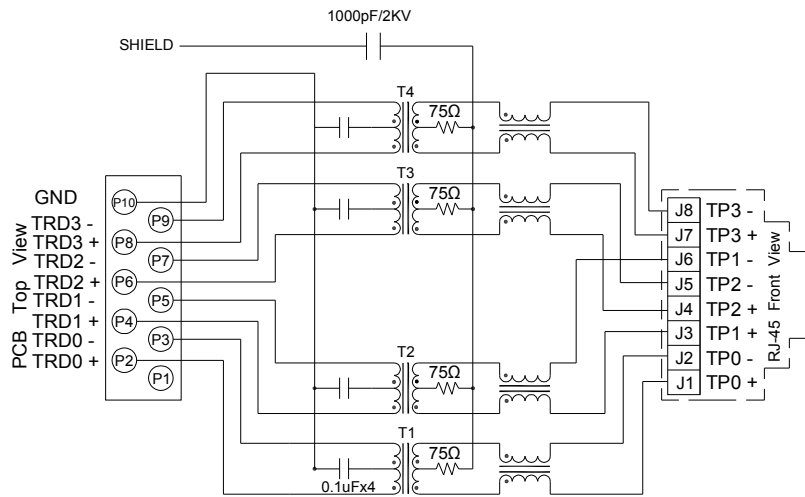
元册科技股份有限公司

YUAN DEAN SCIENTIFIC CO., LTD.

TITLE	RJ45 1000 BASE-T SINGLE PORT JACK MAGNETICS		
P/N	48F-76NWZXNL	REV.	1.1
PAGE NO	1-5	DATE	2021-2-3
AP'PD	Liu zhi Jun	DWN	Xiao zhan

REV.	DESCRIPTION	DATE	DWN	AP'PD

二、Schematics



三、ELECTRICAL SPECIFICATIONS@25°C:

1. Turn Ratio($\pm 5\%$):1CT:1CT
2. Inductance(100KHz/0.1V@8mA): 350uH MIN
3. Insertion Loss(dB MAX):-1.0dB(1-80MHz), -1.2dB(100MHz)
4. Return Loss (dB MIN): -20dB(1-30MHz),-12dB(60-80MHz)
5. Cross talk(dB TYP): -35dB(1-100MHz)
6. CMR(dB MIN): -30dB(1-100MHz), -20dB(200MHz)
7. HI-POT(Pri to Sec) :1500Vrms
8. Operating Temperature:-40°C ~+85°C
9. RoHS compliance:YES

REF: 071B-10W0-NL-01



元册科技股份有限公司

YUAN DEAN SCIENTIFIC CO., LTD.

TITLE

RJ45 1000 BASE-T SINGLE PORT
JACK MAGNETICS

P/N

48F-76NWZXNL

REV.

1.1

PAGE NO

2-5

DATE

2021-2-3

AP'PD

Liu zhi Jun

DWN

Xiao zhan

REV.	DESCRIPTION	DATE	DWN	AP'PD

四、Mechanicals

Housing Material:

MATERIAL:NYLON 66 UL94V-0 STANDARD COLOR:BLACK

Insert Material:

MATERIAL:Phos-Bronze C5210 EH---0.35mm Thickness

Insert -PBT GF UL94V-0

- 1.PLATING(1) NICKEL
- 2.PLATING(2) 100%Sn
- 3.PLATING(3) GOLD (3u " ~50u ")

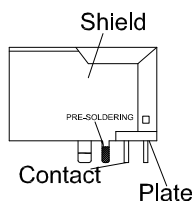
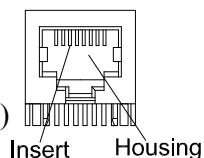


Plate Material:

PBT GF UL 94V-0

Contact pin Material:

MATERIAL: Phos-Bronze C5191---0.35mm Thickness

- 1.PLATING(1) NICKEL
- 2.PLATING(2) 100%Sn

Shielding Material:

BRASS C2680 PLATING NICKEL

Operating Life:750 Cycles MIN.

五、Environmental

- 1.Storage Temp:-40℃TO +85℃.
- 2.Operating Temp: -40℃TO +85℃.
3. MATES WITH MODULAR PLUG CONFORMING TO FCC PART 68,SUBPARTE.

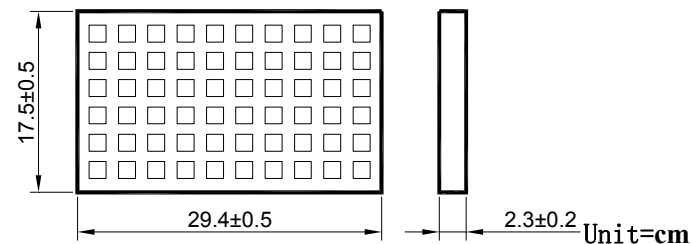
六、Part Number:

48F-76NWZXNL

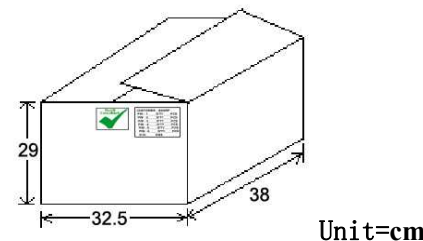
RoHS version
Gold Plating:1=3u",2=6u",3=15u",4=30u",5=50u",

七、Packaging

1. packaging unit : 60 PCS/tray
2. packaging material : PET



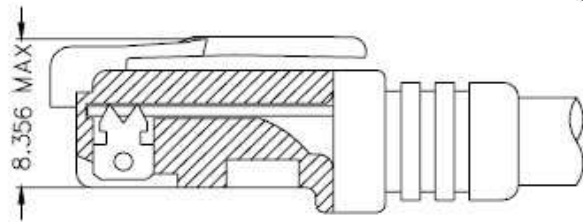
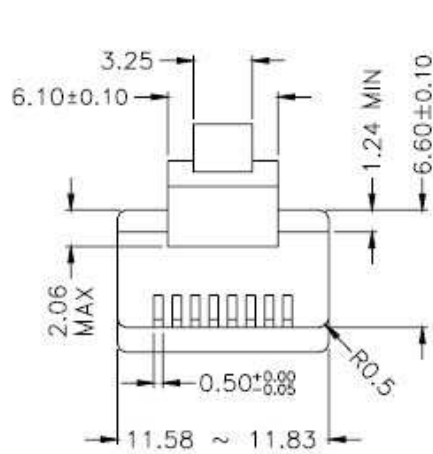
3. outer carton unit: 1320 pcs/ 22 Trays/box



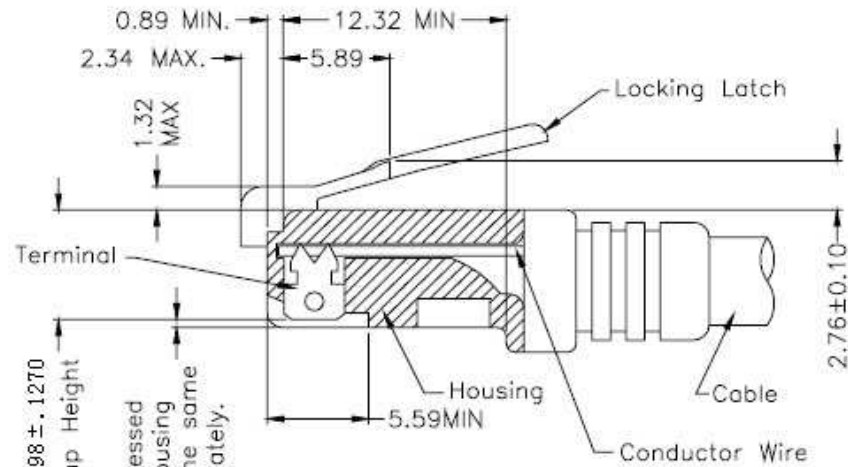
	元册科技股份有限公司 YUAN DEAN SCIENTIFIC CO., LTD.			
	TITLE RJ45 1000 BASE-T SINGLE PORT JACK MAGNETICS			
	P/N	48F-76NWZXNL	REV.	1.1
	PAGE NO	3-5	DATE	2021-2-3
	AP'PD	Liu zhi Jun	DWN	Xiao zhan

八、RJ PLUG SPECIFICATION

REV.	DESCRIPTION	DATE	DWN	AP'PD



FOLLOW SPECIFICATION : FCC, PART 68, SUBPART F
FIGURE 68.500 (C)(2)(ii)



All contacts recessed below top of housing and must be at the same height approximately.

FOLLOW SPECIFICATION : FCC, PART 68,
SUBPART F FIGURE 68.500 (C)(2)(i)
AND IEC 603-7 FIGURE 23 & 24

STANDARD MODULAR PLUG ASSEMBLY



元册科技股份有限公司

YUAN DEAN SCIENTIFIC CO., LTD.

TITLE

RJ45 1000 BASE-T SINGLE PORT
JACK MAGNETICS

P/N

48F-76NWZXNL

REV.

1.1

PAGE NO

4-5

DATE

2021-2-3

AP'PD

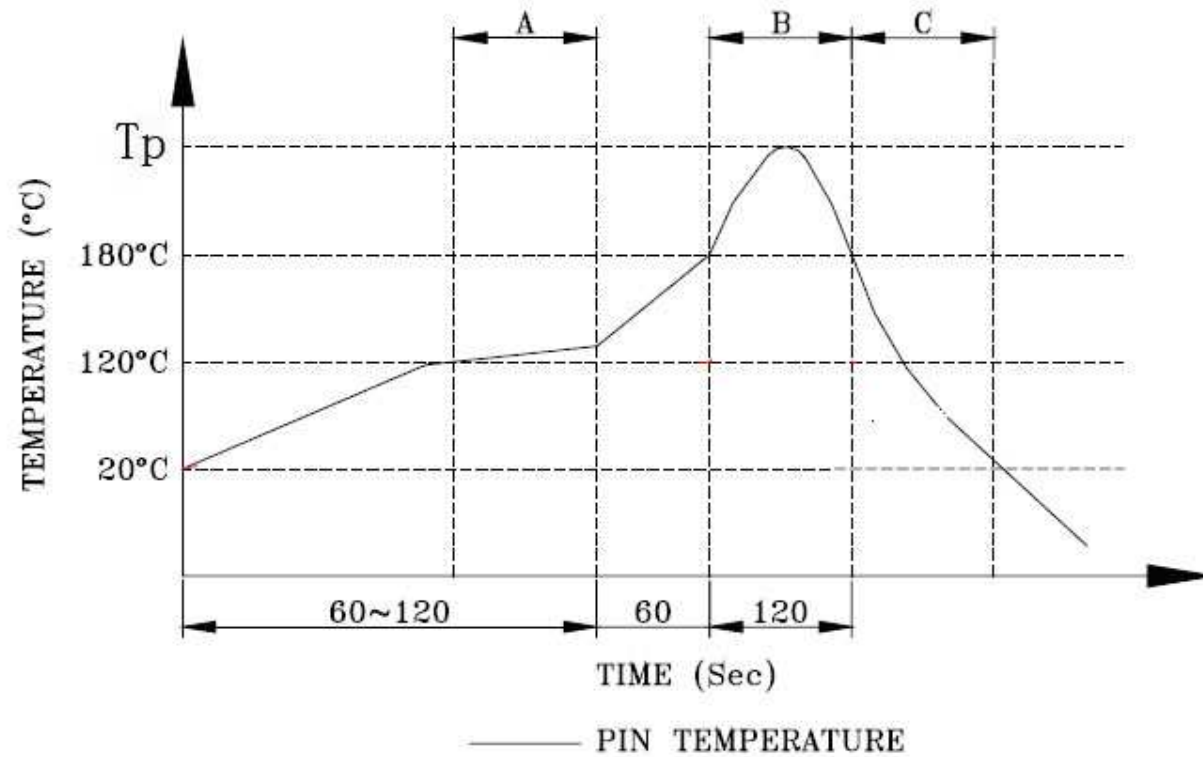
Liu zhi Jun

DWN

Xiao zhan

九、PROFILE OF WAVE SOLDER

REV.	DESCRIPTION	DATE	DWN	AP'PD



A. Preheating B. Soldering C. Gradual Cooling

SUGGESTED WAVE SOLDER CURVE

1. Peak temperature(T_p) : $250 \pm 10^\circ\text{C}$
2. Peak temperature(T_p) time : 5sec max

 RoHS Compliant	 元册科技股份有限公司 YUAN DEAN SCIENTIFIC CO., LTD.			
	TITLE		RJ45 1000 BASE-T SINGLE PORT JACK MAGNETICS	
	P/N	48F-76NWZXNL	REV.	1.1
	PAGE NO	5-5	DATE	2021-2-3
	AP'PD	Liu zhi Jun	DWN	Xiao zhan