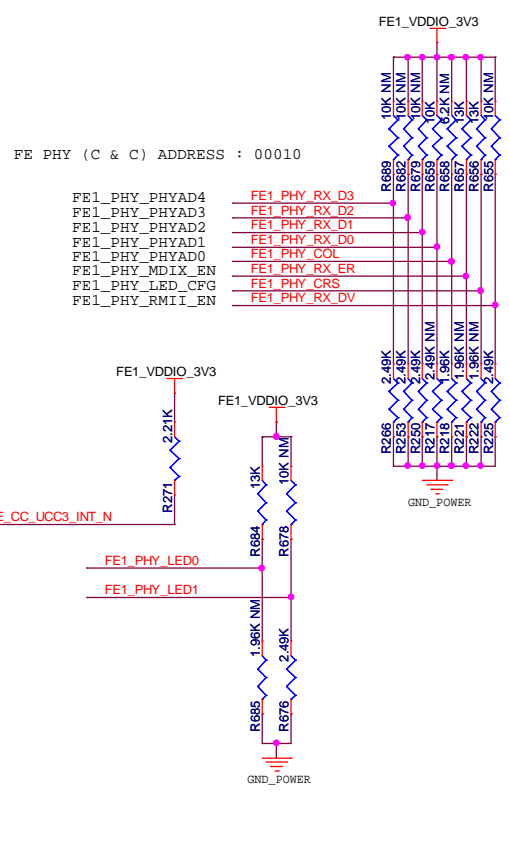
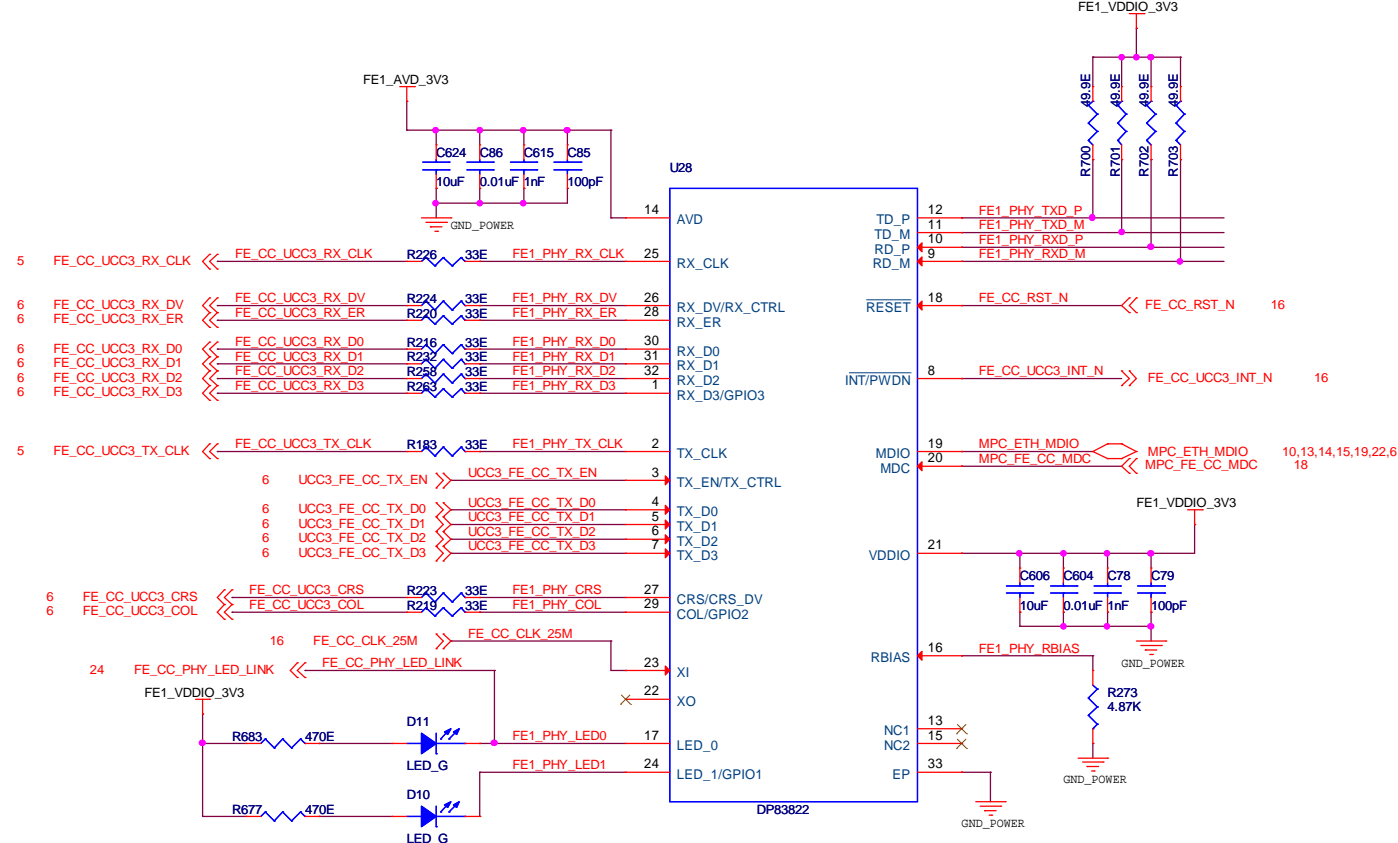
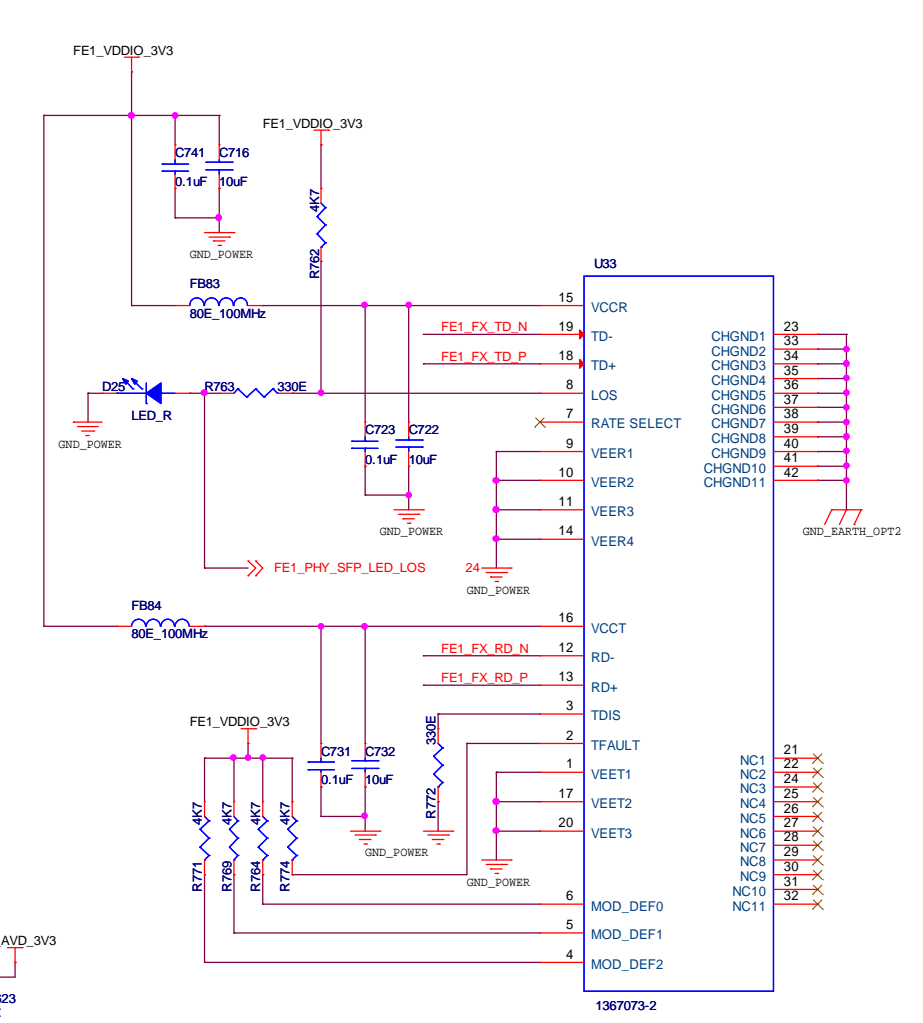


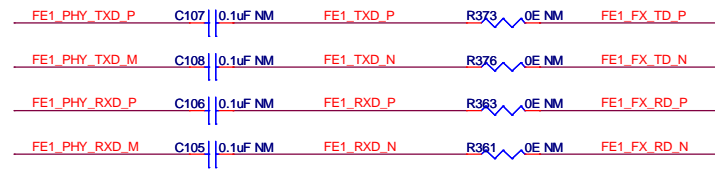
FE PHY TRANSCEIVER DP83822



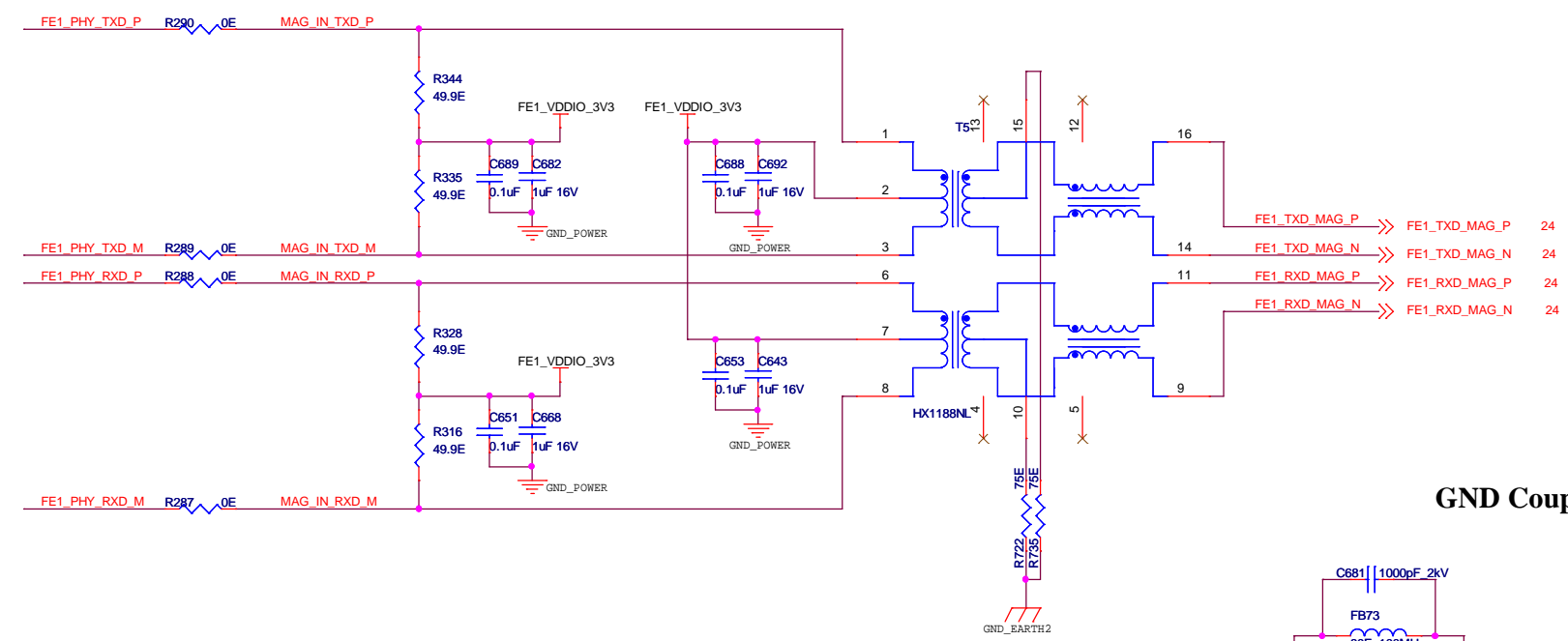
FIBER OPTIC INTERFACE



CAP ISOLATION



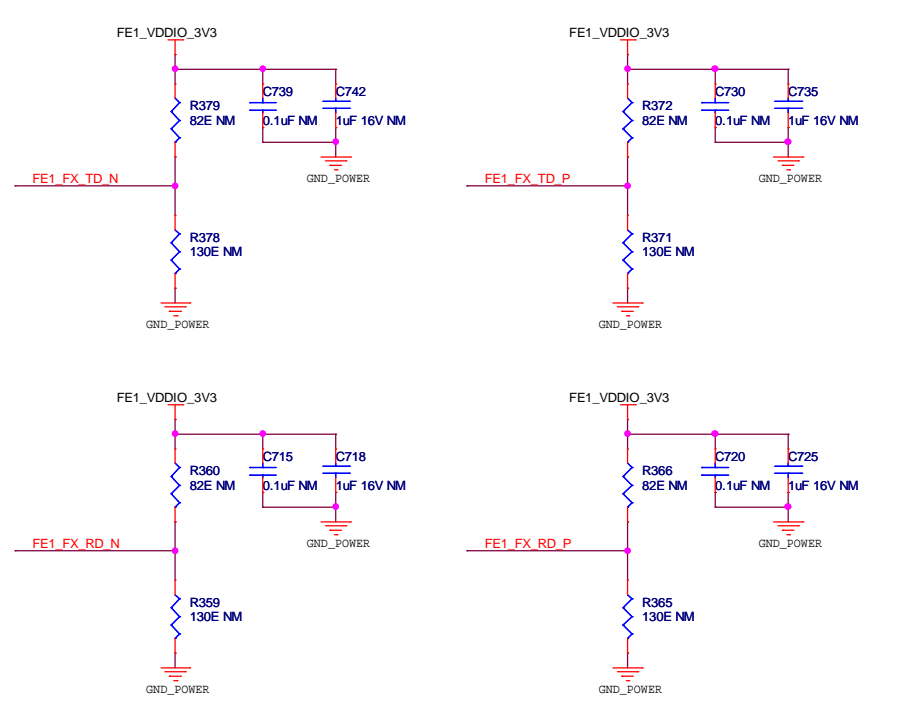
DP83822 MAGNETICS



GND Coupling



LVPECL TERMINATION



ALPHA DESIGN TECHNOLOGIES PVT. LTD., BANGALORE		
Title	DP83822 - FAST ETH PHY (COMMAND & CONTROL DATA)	
Size	Document Number	Rev
C	IDU PROCESSOR CARD	3.0
Date:	Tuesday, October 10, 2017	Sheet 11 of 25