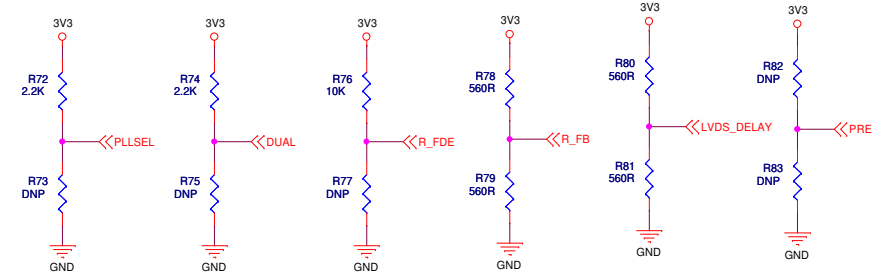
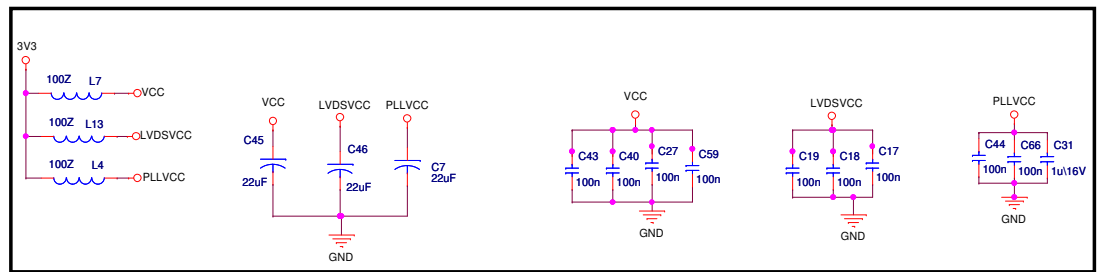
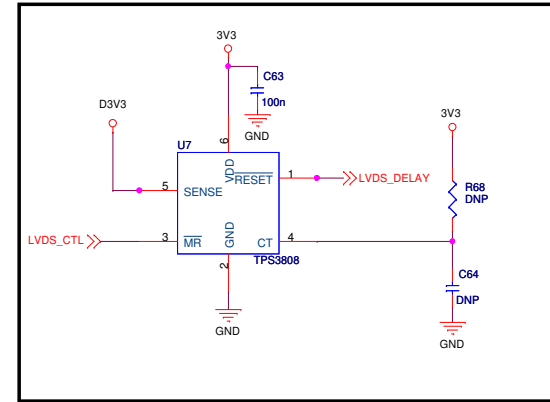
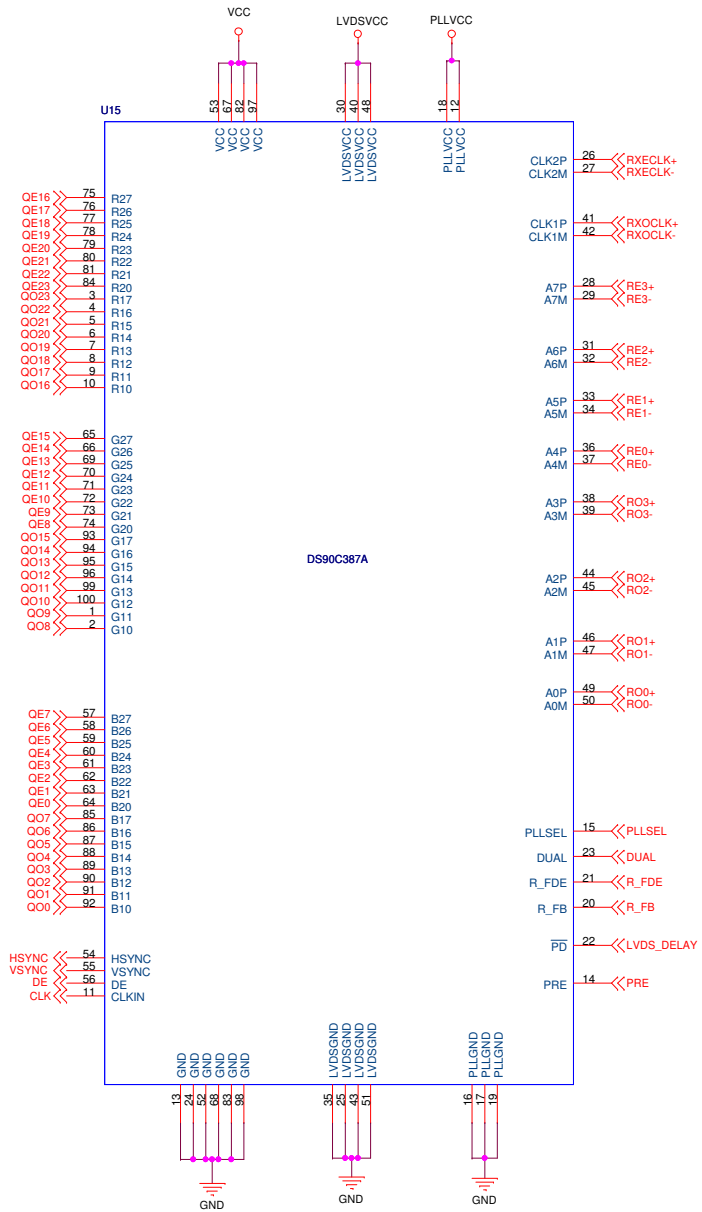


Title	<Title>	Rev	<Rev Code>
Size	A3	Document Number	<Doc>
Date:	Friday, April 13, 2018	Sheet	1 of 1



Title	<Title>	
Size	A3	Document Number <Doc>
Date	Friday, April 13, 2018	Sheet 1 of 1