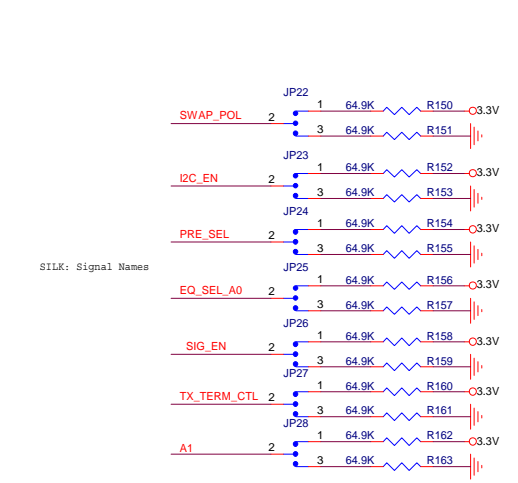
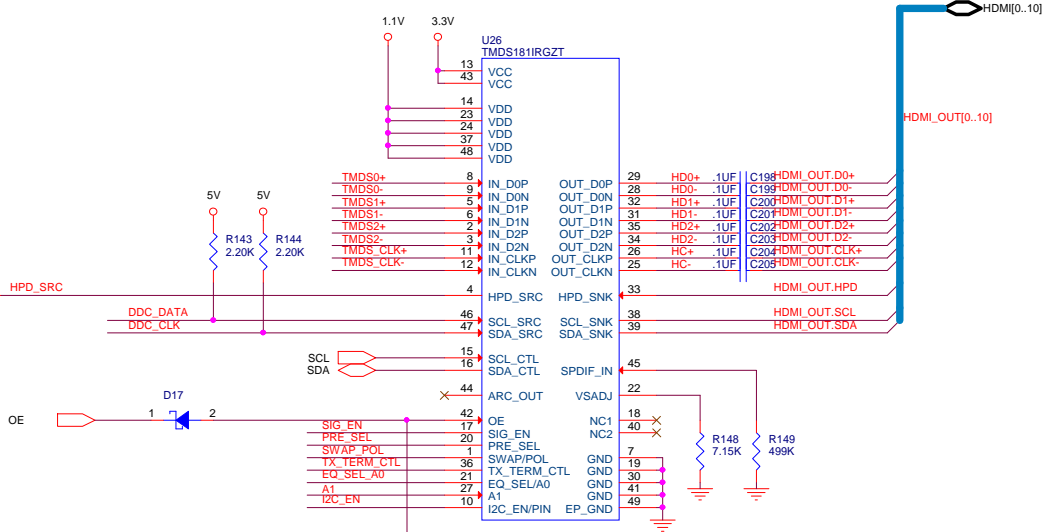
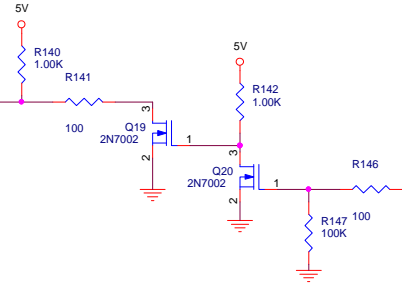
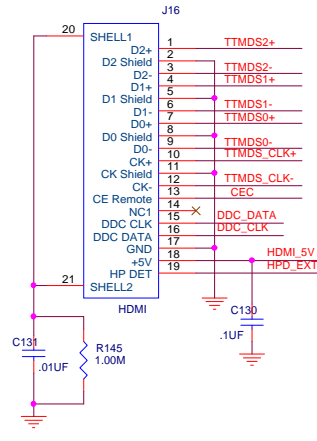
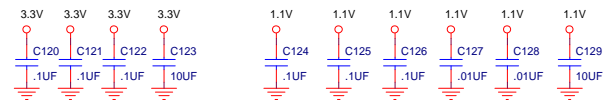
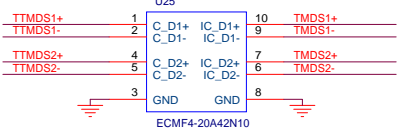
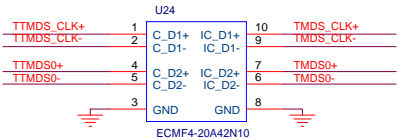


LAYOUT: Place TVS Parts Close to Connector



| A1/A0 | 7 (MSB) | 6 | 5 | 4 | 3 | 2 | 1 | 0 (W/R) | HEX |
|-------|---------|---|---|---|---|---|---|---------|-------|
| 00 | 1 | 0 | 1 | 1 | 1 | 1 | 0 | 0/1 | BC/BD |
| 01 | 1 | 0 | 1 | 1 | 1 | 0 | 1 | 0/1 | BA/BB |
| 10 | 1 | 0 | 1 | 1 | 1 | 0 | 0 | 0/1 | B8/B9 |
| 11 | 1 | 0 | 1 | 1 | 0 | 1 | 1 | 0/1 | B6/B7 |

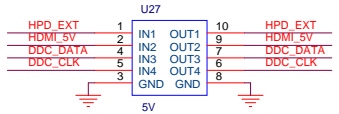
<Variant Name>

CELERITY
1 Jonathan Bourne Drive, Suite #8
Pocasset, MA 02559 508-403-0304

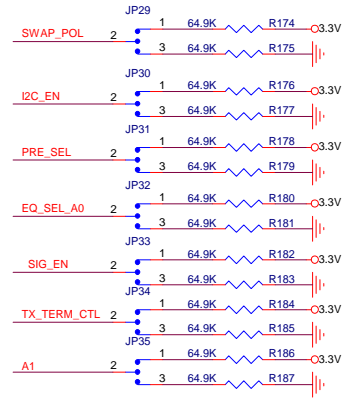
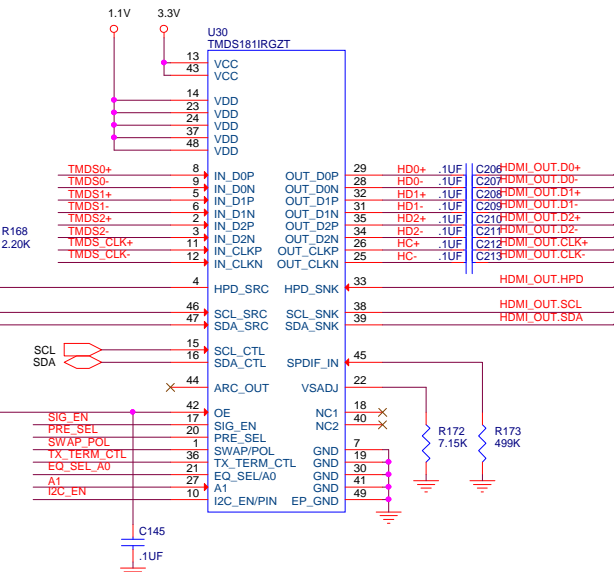
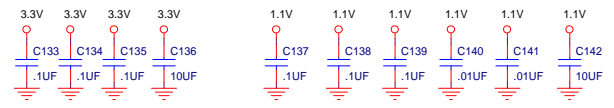
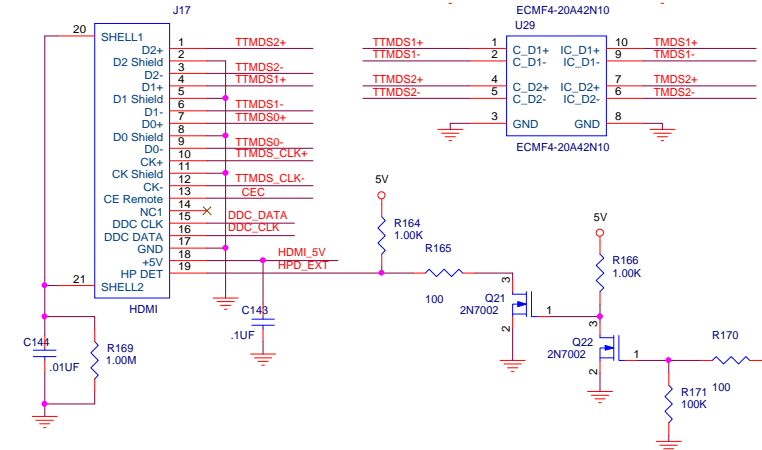
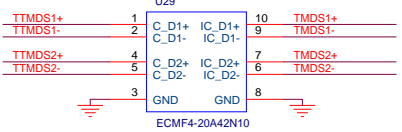
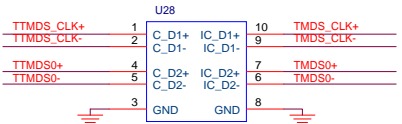
Title: HDMI Input Port 1

Size: Document Number 200-0189-01 Rev 00
Wednesday, October 05, 2022

Date: Sheet 13 of 19



LAYOUT: Place TVS Parts Close to Connector



| A1/A0 | 7 (MSB) | 6 | 5 | 4 | 3 | 2 | 1 | 0 (W/R) | HEX |
|-------|---------|---|---|---|---|---|---|---------|-------|
| 00 | 1 | 0 | 1 | 1 | 1 | 1 | 0 | 0/1 | BC/BD |
| 01 | 1 | 0 | 1 | 1 | 1 | 0 | 1 | 0/1 | BA/BB |
| 10 | 1 | 0 | 1 | 1 | 1 | 0 | 0 | 0/1 | B8/B9 |
| 11 | 1 | 0 | 1 | 1 | 0 | 1 | 1 | 0/1 | B6/B7 |

<Variant Name>

CELERITY
1 Jonathan Bourne Drive, Suite #8
Pocasset, MA 02559 508-403-0304

Title: HDMI Input Port 1

Size: Document Number 200-0189-01 Rev 00
Wednesday, October 05, 2022

Date: Sheet 14 of 19

