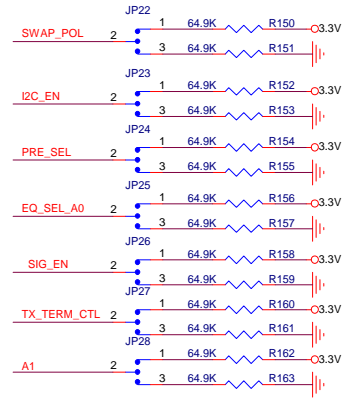
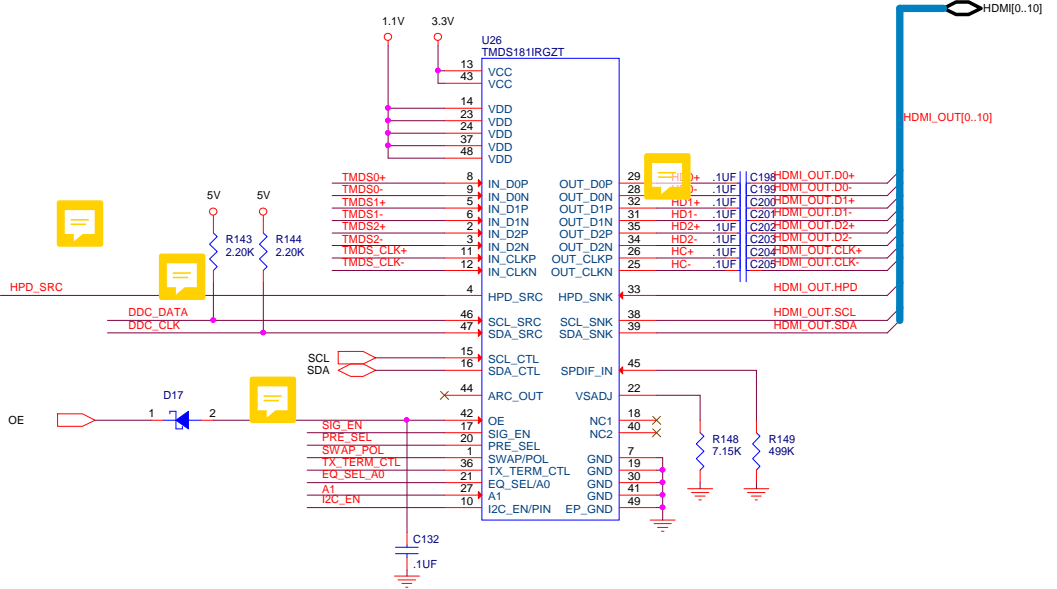
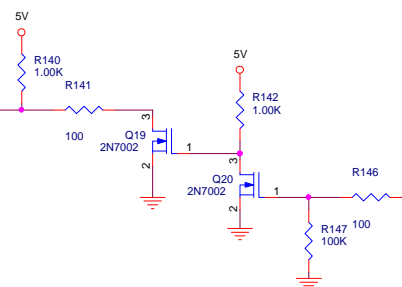
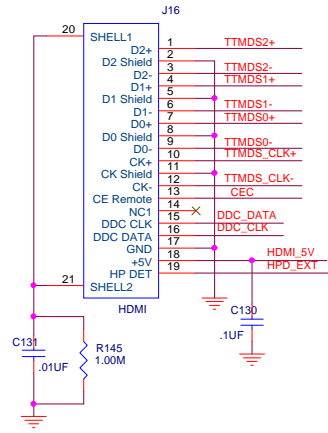
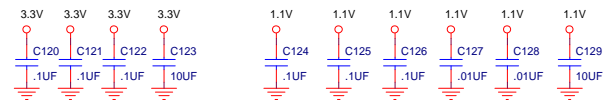
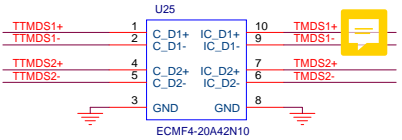
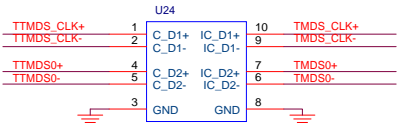


LAYOUT: Place TVS Parts Close to Connector



A1/A0	7 (MSB)	6	5	4	3	2	1	0 (W/R)	HEX
00	1	0	1	1	1	1	0	0/1	BC/BD
01	1	0	1	1	1	0	1	0/1	BA/BB
10	1	0	1	1	1	0	0	0/1	B8/B9
11	1	0	1	1	0	1	1	0/1	B6/B7

<Variant Name>

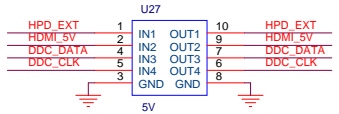
**CELERITY**  
1 Jonathan Bourne Drive, Suite #8  
Pocasset, MA 02559 508-403-0304

Title: HDMI Input Port 1

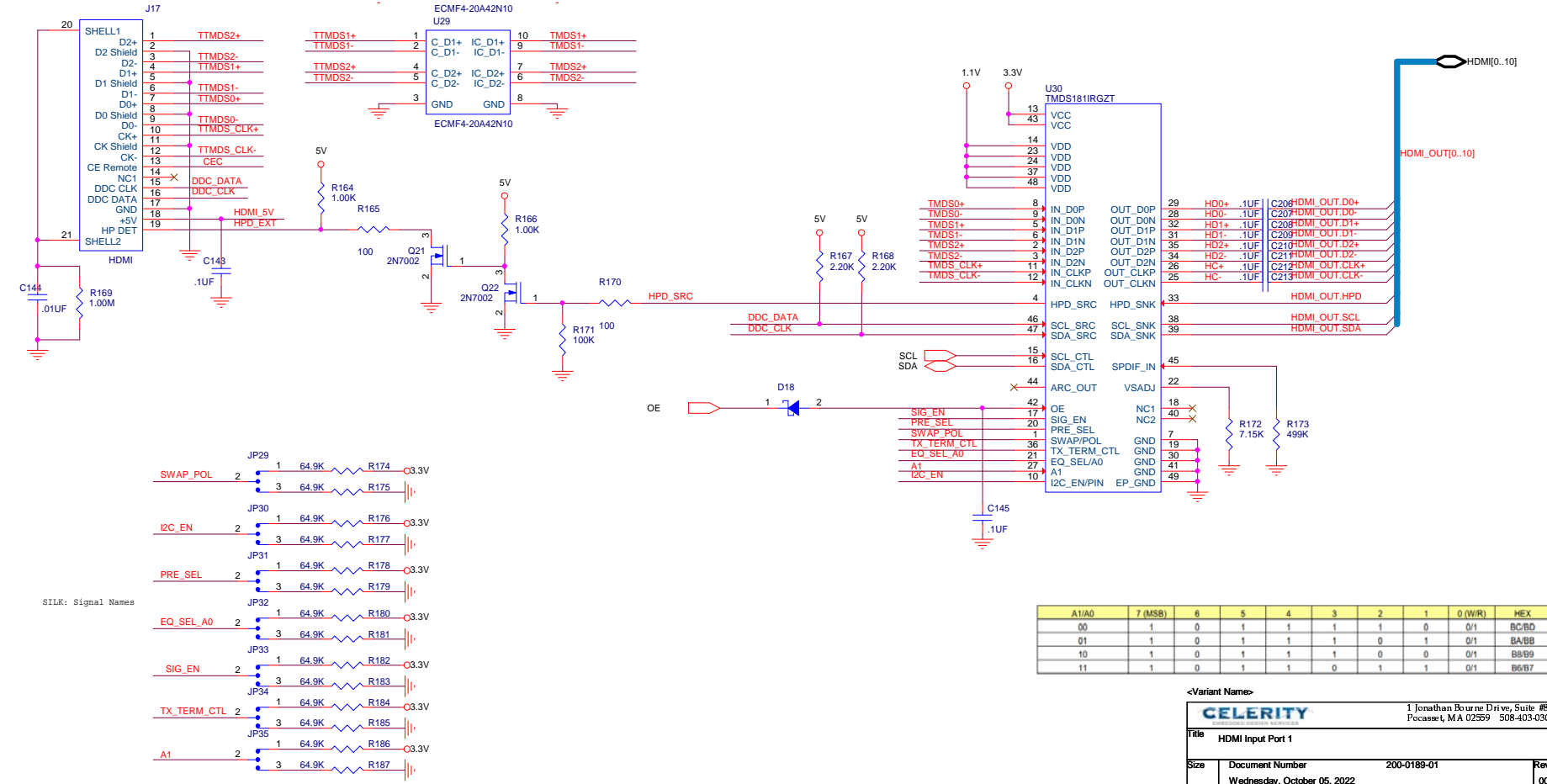
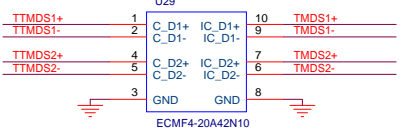
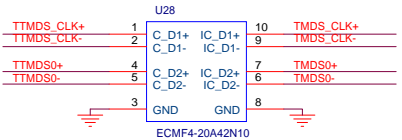
Size: Document Number 200-0189-01 Rev 00

Date: Wednesday, October 05, 2022

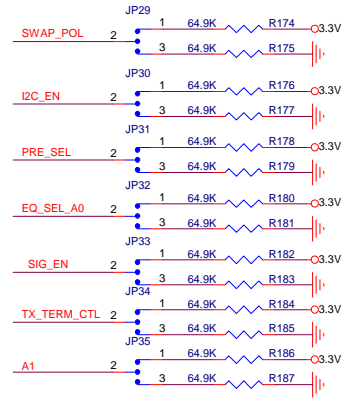
Sheet 13 of 19



LAYOUT: Place TVS Parts Close to Connector



SILK: Signal Names



A1/A0	7 (MSB)	6	5	4	3	2	1	0 (W/R)	HEX
00	1	0	1	1	1	1	0	0/1	BC/BD
01	1	0	1	1	1	0	1	0/1	BA/BB
10	1	0	1	1	1	0	0	0/1	B8/B9
11	1	0	1	1	0	1	1	0/1	B6/B7

<Variant Name>  
**CELERITY**  
 1 Jonathan Bourne Drive, Suite #8  
 Pocasset, MA 02559 508-403-0304

Title: HDMI Input Port 1

Size: Document Number 200-0189-01 Rev 00  
 Wednesday, October 05, 2022

Date: Sheet 14 of 19

