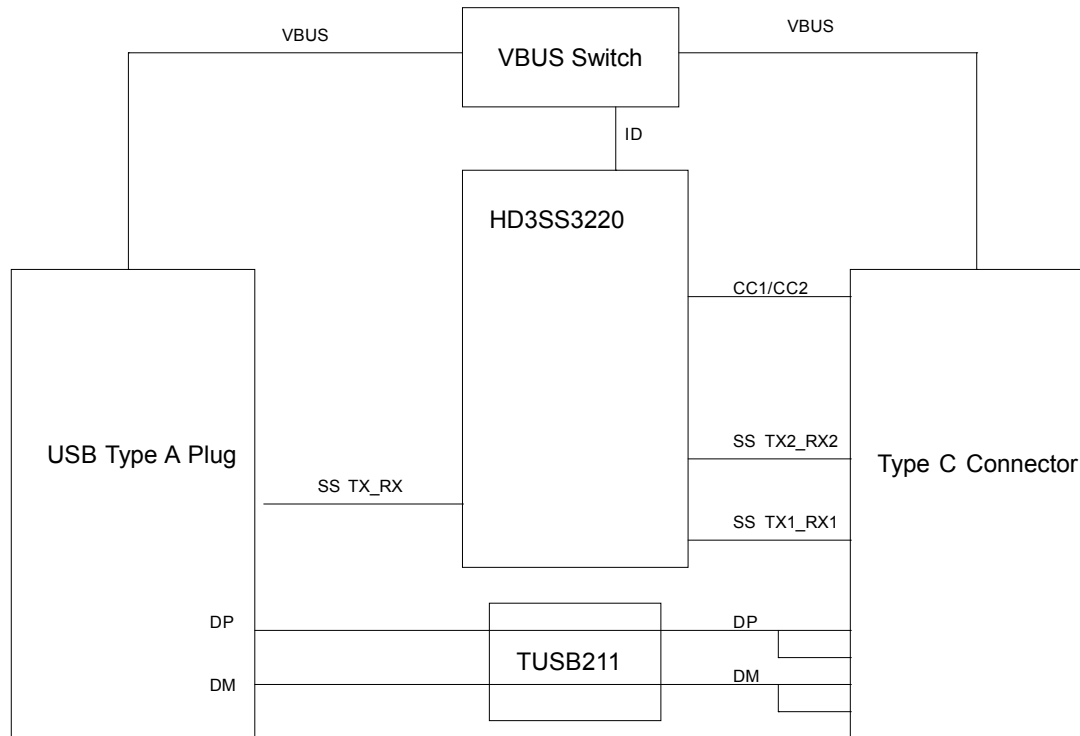
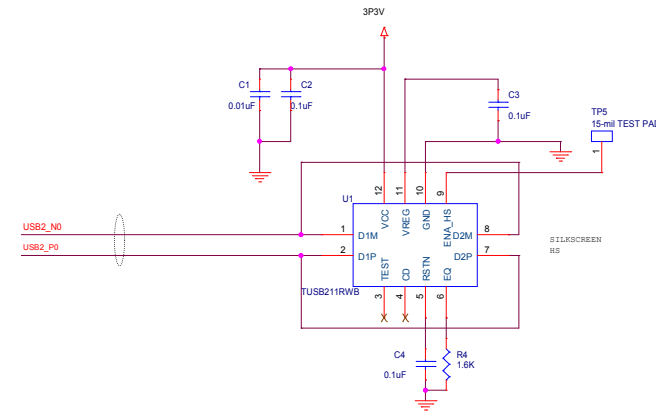
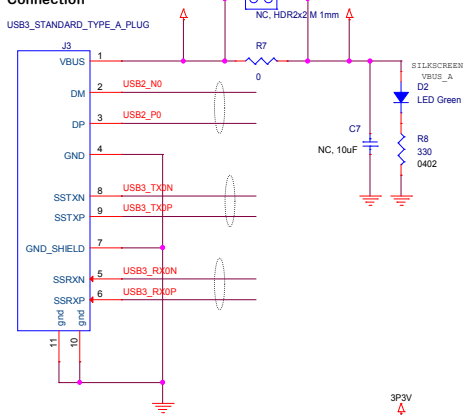


HD3SS3220A-DFP-EVM INT026

REVA

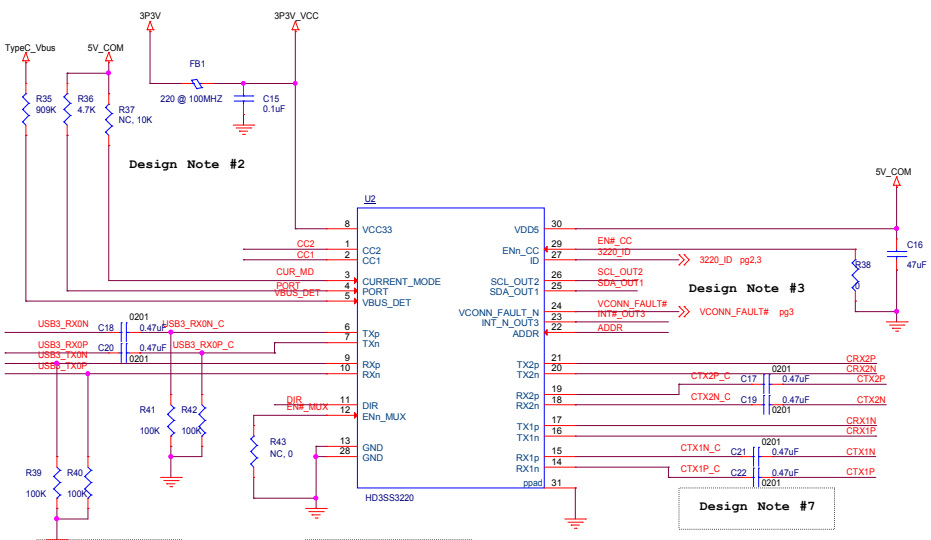
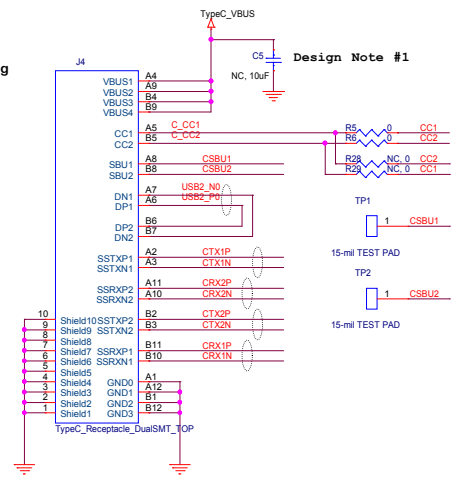


USB Legacy Host Connection



TypeC Connector Pin Mapping

GND	A1	B12	GND
SSTXP1	A2	B11	SSRXP1
SSTXP2	A3	B10	SSRXP2
SSTXN1	A4	B9	SSRXN1
SSTXN2	A5	B8	SSRXN2
VBUS	A6	B7	VBUS
CC1	A7	B6	SBU2
DP1	A8	B5	DN2
DN1	A9	B4	DP2
SBU1	A10	B3	CC2
VBUS	A11	B2	VBUS
SSRXN2	A12	B1	SSTXN2
SSRXN1	A11	B2	SSTXN1
SSRXN2	A12	B1	SSTXP2
SSRXN1	A11	B2	SSTXP1
GND	A12	B1	GND

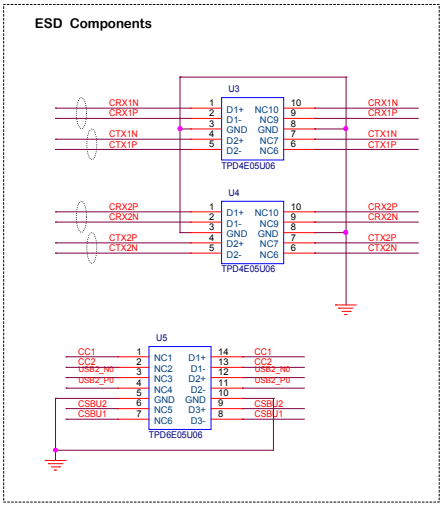
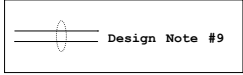
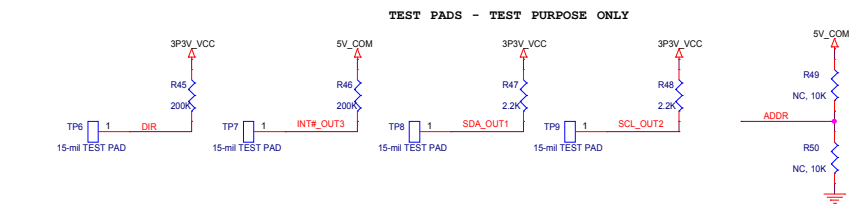


Design Note #5

Design Note #6

Design Note #7

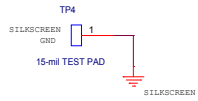
Design Note #4



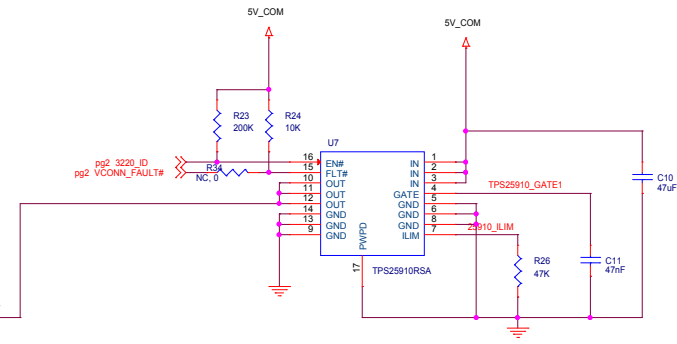
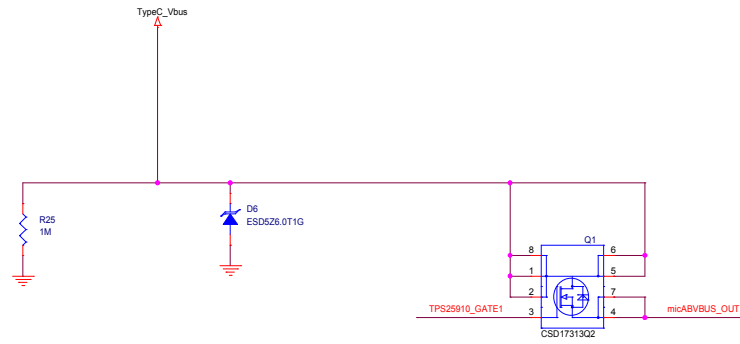
TEXAS INSTRUMENTS

3220DFP-DGLEVM INT026: TUSB3220

SIZE	C	DWG NO:	
SCALE:	NONE	Monday, February 15, 2016	Sheet 2 of 3

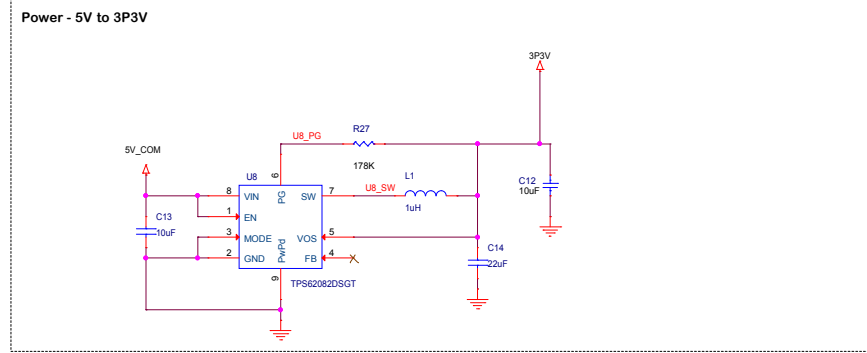


Design Note #10



DESIGN NOTES

1. Install only if active discharge circuit exists
2. 10K: 3.0A Current
510K: 1.5A Current
NC: Default Current
3. VCONN_FAULT# can be routed to PMIC.
4. Bulk cap for VCONN between 10uF to 220uF
5. C18, C20, R39, R40, R41 and R42 are placed for interoperability purposes with USB Vcm above 2V
6. Option to tie OEn to GND or 3220_ID pin
7. C17, C19, C21 and C22 are placed for interoperability purposes with USB Vcm above 2V
8. Route ID to USB VBUS power switch. ID will be asserted low when TUSB321 detects a cable attachment on USB Type-C receptacle. Vbus on Type-C receptacle must remain off until ID is asserted low.
9. NOTE on this symbol :
10. R25 is to guarantee Vsafe 0V and to meet 650ms VBUS discharge timing



TEXAS INSTRUMENTS

3220DFP-DGLEVM INT026 : Power

SIZE C	DWG NO:
SCALE: NONE	Monday, February 15, 2016
Sheet 3	of 3